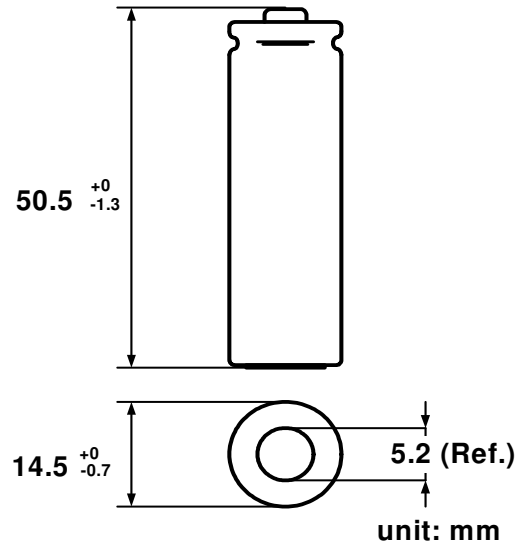
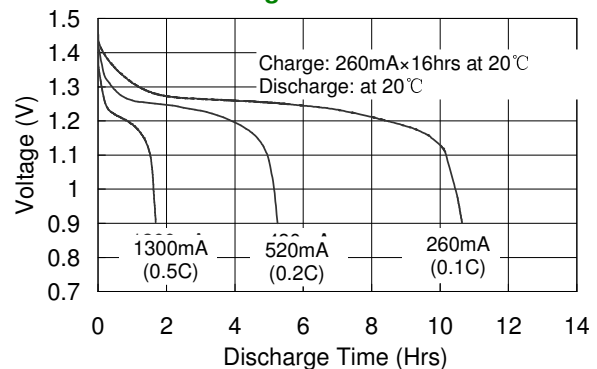


### Model No.: GP270AAHCE

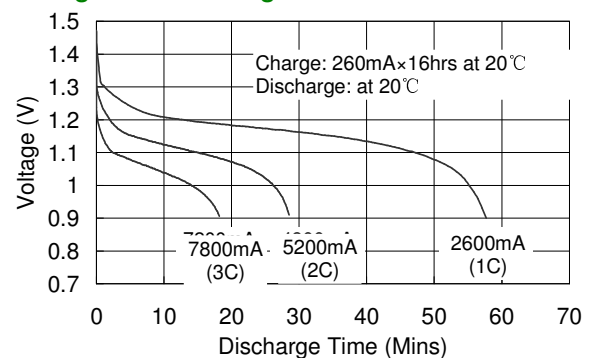
<b>Type</b>	Rechargeable Nickel Metal Hydride Cylindrical Cell
<b>Recycled material content</b>	Rechargeable Nickel Metal Hydride Battery Made with Minimum 10% Recycled materials
<b>Nominal Dimension (with Sleeve)</b>	Φ = 14.5mm H = 50.5mm
<b>Applications</b>	Recommended discharge current 260 to 7800mA
<b>Nominal Voltage</b>	1.2V
<b>Capacity</b>	Rated: 2600mAh Typical: 2650mAh When discharged at 520mA to 1.0V at 20°C
<b>Charging Condition</b>	260mA for 16 hrs at 20°C
<b>Charging Retention</b>	70% of nominal capacity after cell storage at 20°C for 6months, 50% of nominal capacity after cell storage at 20°C for 1year When discharged at 520mA to 1.0V at 20°C
<b>Fast Charge</b>	1300mA to 2600mA (0.5 to 1C) charge termination control recommended control parameters: -ΔV : 0-5mV DT/dt : 0.8°C/min (0.5 to 0.9C) 0.8 - 1°C/min (1C) TCO : 45 - 50°C Timer : 100% nominal input (for ref. only)
<b>Service Life</b>	~300 cycles (IEC standard)
<b>Continuous Overcharge</b>	260mA maximum current for 1 year. No conspicuous deformation and/or leakage
<b>Weight</b>	31.0g
<b>Internal Resistance</b>	Average 20mΩ upon fully charged (Max.35mΩ) at 1000Hz
<b>Max. Charging Voltage</b>	1.5V at 260mA charging
<b>Ambient Temperature Range</b>	Standard Charge : 0 to 45°C Fast Charging : 10 to 45°C Discharge : -20 to 50°C Storage : -20 to 35°C



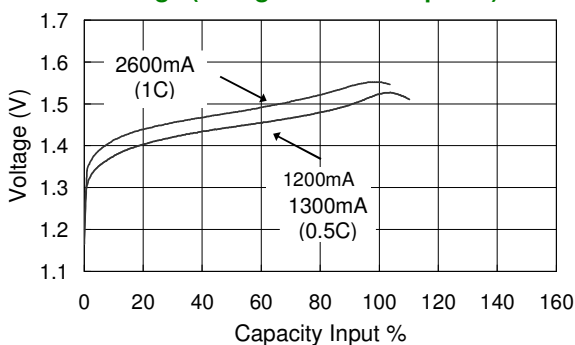
#### Low Rate Discharge



#### High Rate Discharge



#### Fast Charge (Charge Control Required)



The information (subject to change without prior notice) contained in this document is for reference only and should not be used as a basis for product guarantee or warranty. For applications other than those described here, please consult your nearest GP Sales and Marketing Office or Distributors.

## X-ON Electronics

Largest Supplier of Electrical and Electronic Components

*Click to view similar products for [NiMH - Nickel Metal Hydride Battery](#) category:*

*Click to view products by [GP Batteries](#) manufacturer:*

Other Similar products are found below :

[CL-R6/2X5-1500B](#) [100AAAHC B2](#) [4X 65AAAHCE](#) [75AAH](#) [100AAAHC B4](#) [270AAHCE-EB2](#) [380AFH](#) [210AAHCB-EB4](#) [85AAAHCB-EB2](#) [85AAAHCE-EB2](#) [SL-20X](#) [85AAAHCE-EB4](#) [210AAHCB-EB2](#) [NH-2100A](#) [NH-600AAA](#) [NH-B320](#) [270AAHCE-EB4](#) [HHR-26SCPY01](#) [HHR-300SCPY20](#) [NH-1500AA](#) [BK-110FHB01](#) [NH1250AA](#) [NH-3000SC](#) [65AAAHCE](#) [7638900416992](#) [7638900417005](#) [NH-1250AAL](#) [NH-7000D](#) [AA220](#) [AA220 ST](#) [ACCU-600/3NI-MH/CL](#) [ACCU-R14/2500/EG-B](#) [ACCU-R14/3000GP](#) [ACCU-R20/2500/EG-B](#) [ACCU-R22/175-EG](#) [ACCU-R3/750/DR](#) [ACCU-R6/2000-EG-B](#) [ACCU-SC/L-3000](#) [VH DL 9500](#) [VH FL 15000](#) [VHT 7/5CS](#) [VHT AAL](#) [VHT CS](#) [VHT D](#) [VHT F](#) [CL-R6/2S1P-1500B](#) [CL-R6/2X3-1500B](#) [CL-R6/2X4-1500B](#) [CL-R6/3S1P-1500B](#) [CL-R6/4S1P-1500B](#)