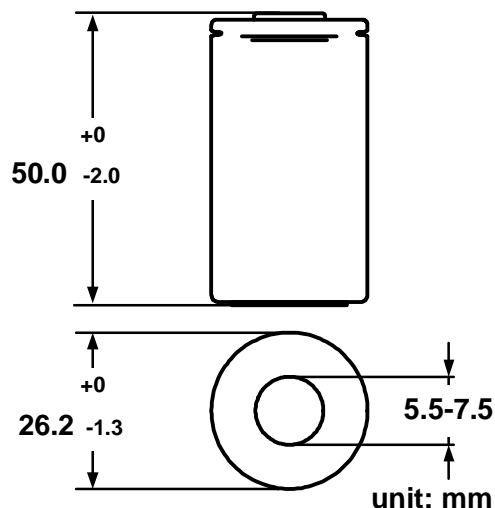
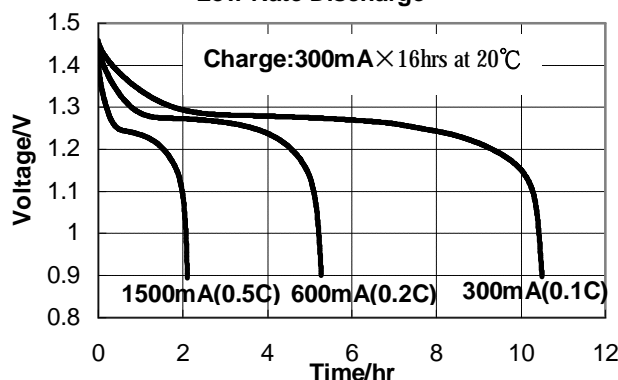


<b>Type</b>	: Rechargeable Nickel Metal Hydride Cylindrical Cell
<b>Nominal Dimension (with Sleeve)</b>	: $\Phi = 26.2\text{mm}$ H = 50.0mm
<b>Applications</b>	: Recommended discharge current 300mA to 3A
<b>Nominal Voltage</b>	: 1.2V
<b>Capacity</b>	: Nominal: 3000mAh Minimum: 3000mAh Typical: 3000mAh When discharged at 600mA to 1.0V at 20°C
<b>Charging Condition</b>	: 300mA for 16hrs at 20°C
<b>Charge Retention</b>	: 80% of nominal capacity after cell storage at 20°C for 24months When discharged at 600mA to 1.0V at 20°C
<b>Fast Charge</b>	: 1500mA to 3000mA (0.5 to 1C) charge termination control recommended control parameters: - $\Delta V$ : 0-5mV DT/dt : 0.8°C/min (0.5 to 0.9C) 0.8 - 1°C/min (>1C) TCO : 45 - 50°C Timer : 105% nominal input (for ref. only)
<b>Service Life</b>	: >1000 cycles (IEC standard)
<b>Continuous Overcharge</b>	: 300mA maximum current for 1 year. No conspicuous deformation and/or Leakage
<b>Weight</b>	: 70g
<b>Internal Resistance</b>	: Average 5m $\Omega$ upon fully charged (Range 3-8m $\Omega$ ) at 1000Hz
<b>Max. Charging Voltage</b>	: 1.5V at 300mA charging
<b>Ambient Temperature Range</b>	: Standard Charge : 0 to 45°C Fast Charging : 10 to 45°C Discharge : -20 to 50°C Storage : -20 to 30°C

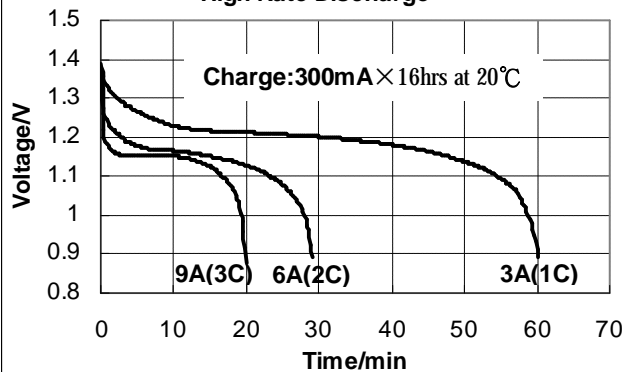
### Model No.: GP300CHCB



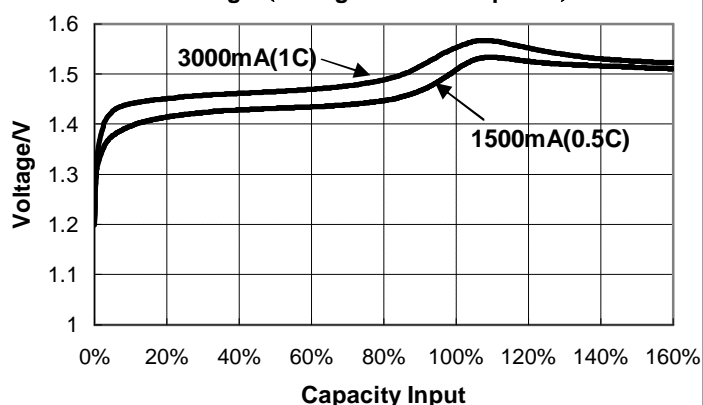
#### Low Rate Discharge



#### High Rate Discharge



#### Fast Charge ( Charge Control required )



The information (subject to change without prior notice) contained in this document is for reference only and should not be used as a basis for product guarantee or warranty. For applications other than those described here, please consult your nearest GP Sales and Marketing Office or Distributors.

MRS6062rev01

## X-ON Electronics

Largest Supplier of Electrical and Electronic Components

*Click to view similar products for [NiMH - Nickel Metal Hydride Battery category](#):*

*Click to view products by [GP Batteries manufacturer](#):*

Other Similar products are found below :

[CL-R6/2X5-1500B](#) [NH-2100A](#) [NH-600AAA](#) [HHR-450AB21](#) [270AAHCE-EB4](#) [HHR-26SCPYP01](#) [NH-1500AA](#) [HHR-210AHA01](#) [BK-110FHB01](#) [NH1250AA](#) [NH-3000SC](#) [65AAAHCE](#) [7638900416992](#) [7638900417005](#) [NH-1250AAL](#) [NH-7000D](#) [AA220](#) [AA220 ST](#) [ACCU-600/3NI-MH/CL](#) [ACCU-R14/2500/EG-B](#) [ACCU-R14/3000GP](#) [ACCU-R20/2500/EG-B](#) [ACCU-R22/175-EG](#) [ACCU-R3/750/DR](#) [ACCU-R6/2000-EG-B](#) [ACCU-SC/L-3000](#) [VH DL 9500](#) [VH FL 15000](#) [VHT 7/5CS](#) [VHT AAL](#) [VHT CS](#) [VHT D](#) [VHT F](#) [CL-R6/2S1P-1500B](#) [CL-R6/2X3-1500B](#) [CL-R6/2X4-1500B](#) [CL-R6/3S1P-1500B](#) [CL-R6/4S1P-1500B](#) [CL-R6/2X6-1500P](#) [CL-R6/5S1P-1500B](#) [CL-R6/6S1P-1500B](#) [DURACELL AA 1300MAH BLISTER B4](#) [DURACELL AAA 850 MAH DX2400 BLISTER B4](#) [J-SC3000X](#) [HHR200SCP](#) [ACCU-4/3A/L](#) [ACCU-4/5A/L/2](#) [BK-200AAB9B](#) [BK-250AB01](#) [BK-80AAAB9B](#)