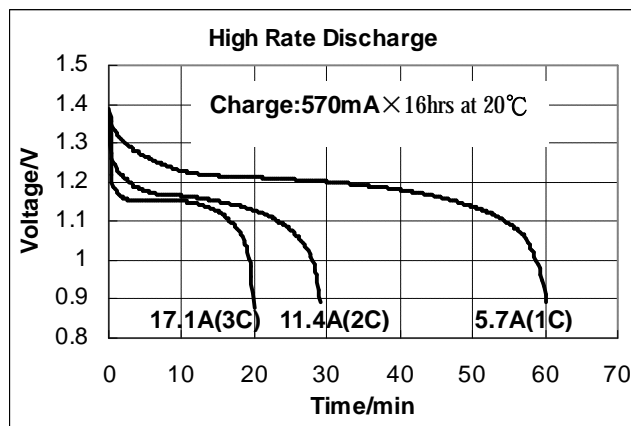
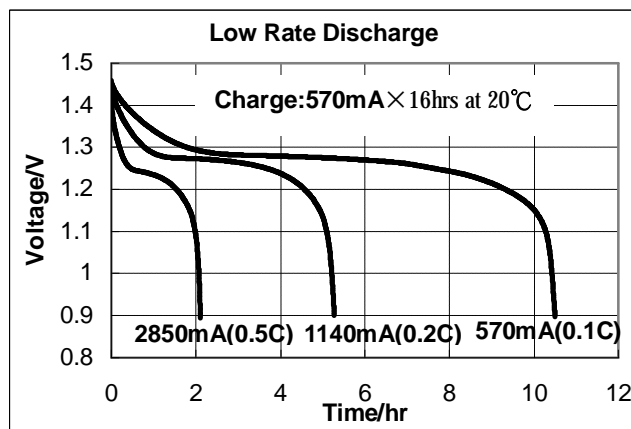
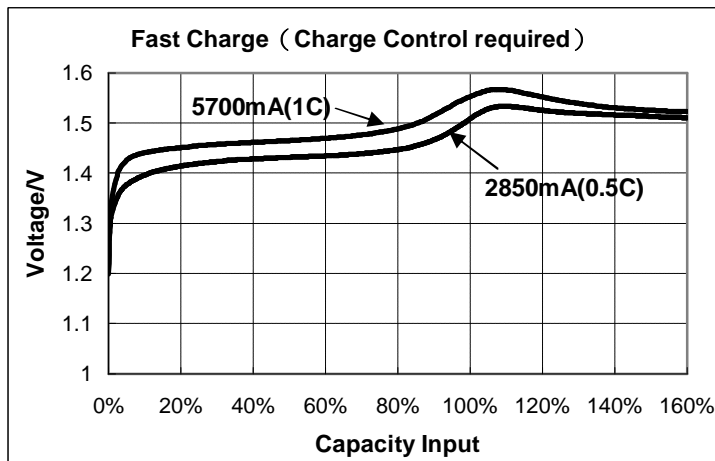
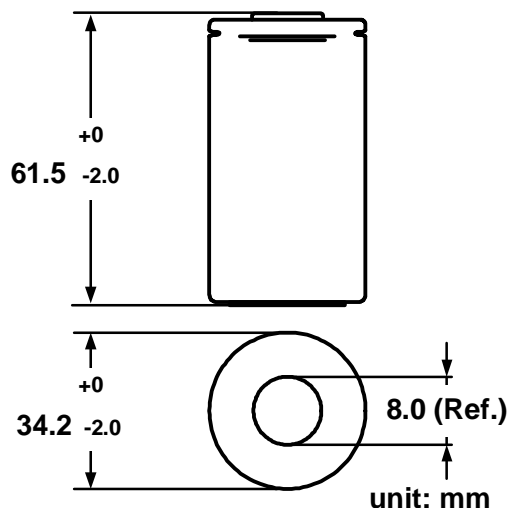


| | |
|--|--|
| Type | : Rechargeable Nickel Metal Hydride Cylindrical Cell |
| Nominal Dimension (with Sleeve) | : $\Phi = 34.2\text{mm}$ H = 61.5mm |
| Applications | : Recommended discharge current 570mA to 5.7A |
| Nominal Voltage | : 1.2V |
| Capacity | : Nominal: 5700mAh Minimum: 5700mAh Typical: 5700mAh When discharged at 1.14A to 1.0V at 20°C |
| Charging Condition | : 570mA for 16hrs at 20°C |
| Charge Retention | : 80% of nominal capacity after cell storage at 20°C for 24months When discharged at 1.14A to 1.0V at 20°C |
| Fast Charge | : 2850mA to 5700mA (0.5 to 1C) charge termination control recommended control parameters: - ΔV : 0-5mV DT/dt : 0.8°C/min (0.5 to 0.9C) 0.8 - 1°C/min (>1C) TCO : 45 - 50°C Timer : 105% nominal input (for ref. only) |
| Service Life | : >1000 cycles (IEC standard) |
| Continuous Overcharge | : 570mA maximum current for 1 year. No conspicuous deformation and/or Leakage |
| Weight | : 124g |
| Internal Resistance | : Average 4m Ω upon fully charged (Range 2-6m Ω) at 1000Hz |
| Max. Charging Voltage | : 1.5V at 570mA charging |
| Ambient Temperature Range | : Standard Charge : 0 to 45°C Fast Charging : 10 to 45°C Discharge : -20 to 50°C Storage : -20 to 30°C |

Model No.: GP570DHCB



The information (subject to change without prior notice) contained in this document is for reference only and should not be used as a basis for product guarantee or warranty. For applications other than those described here, please consult your nearest GP Sales and Marketing Office or Distributors.

X-ON Electronics

Largest Supplier of Electrical and Electronic Components

Click to view similar products for [Control Switches](#) category:

Click to view products by [GP Batteries](#) manufacturer:

Other Similar products are found below :

[80887-99](#) [80932-99](#) [86855-00](#) [88814-30](#) [1424293-1](#) [HW4S-2TC10](#) [89721-12](#) [89804-08](#) [SSN](#) [RL01801](#) [ASD2L20N-LVO](#) [50051857-17](#)
[50099156-001-05](#) [51.155R-15200](#) [50058920-26](#) [CP-FA51](#) [CP-FA49](#) [ACCU-SC/L-3000](#) [PP9M](#) [PP87G](#) [PP86GA](#) [PP71G](#) [PP70G](#) [PP6G](#)
[PP62G](#) [PP58BL](#) [PP56G](#) [PP86GB](#) [PP77GA](#) [PP76G](#) [PP4M](#) [PP47G](#) [PP46G](#) [PP41M](#) [PP40G](#) [PP32G](#) [RD-20](#) [PP23M](#) [PP12G](#) [PORTAPRO](#)
[POM-2708](#) [PNB-2005](#) [3057.0012](#) [CV-075](#) [CV-140SB](#) [CV-150](#) [CV-150S](#) [214X20XK](#) [CV-180](#) [CV-200MB](#)