

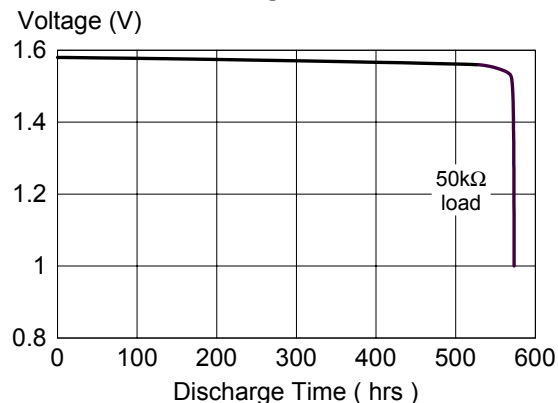
GP Batteries

Data Sheet

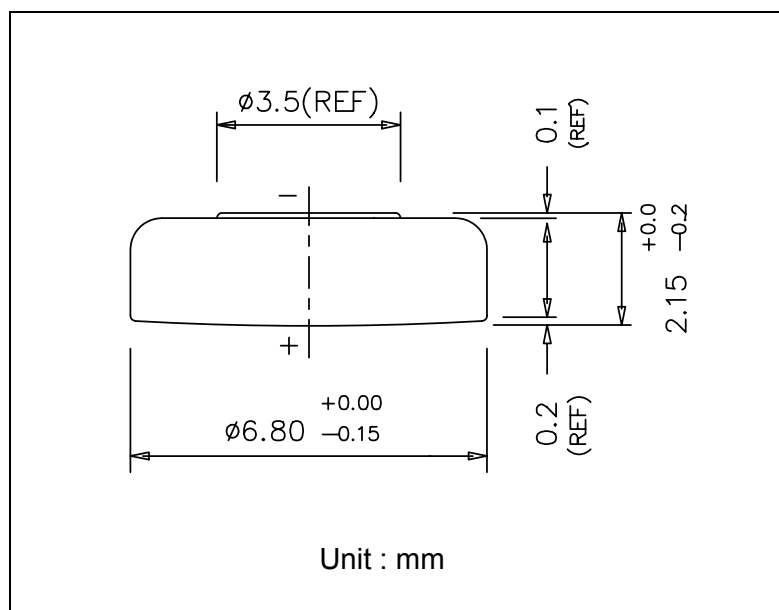
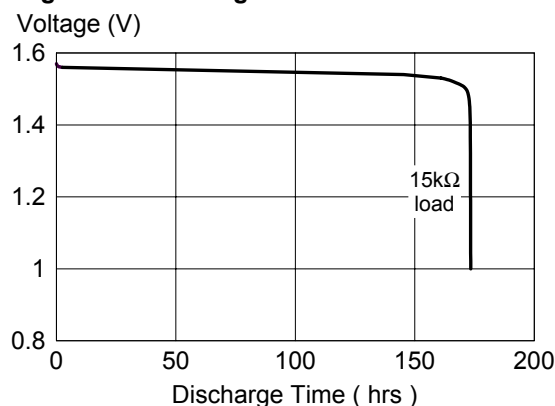
Model No.: GP364

Type	: Silver Oxide Low Drain Button Cell				
Chemical System	: Zinc / Silver Oxide				
Nominal Voltage	: 1.55V				
Nominal Dimension	: \varnothing 6.8 X 2.15mm				
Applications	: Analog watch				
Average Weight	: 0.35g				
Date Code	: Unless otherwise specified, each cell will carry a numeric year code and an alphabetical month code				
Shelf Life	: Not less than 90% of service capacity for 1 year storage at 20°C				
Close Circuit Voltage	: 1.25V (min.) (load resistor 200 Ω at 20°C for 1 to 2 seconds)				
Nominal Service Life (to 1.2V at 20°C)	: 172 hrs (at 15k Ω load) 575 hrs (at 50k Ω load)				
Average Service Capacity (to 1.2V at 20°C)	: 18 mAh (at 50k Ω load)				
Cross Reference	:				
IEC	JIS	RENATA EVEREADY	VARTA	DURACELL	PANASONIC
SR60	SR621SW	364	V364	D364	SP364

Normal Rate Discharge



High Rate Discharge



* The information (subject to change without prior notice) contained in this document is for reference only and should not be used as a basis for product guarantee or warranty. For applications other than those described here, please consult your nearest GP Sales and Marketing Office or Distributors.



X-ON Electronics

Largest Supplier of Electrical and Electronic Components

Click to view similar products for [Control Switches](#) category:

Click to view products by [GP Batteries](#) manufacturer:

Other Similar products are found below :

[80887-99](#) [80932-99](#) [86855-00](#) [88814-30](#) [1424293-1](#) [HW4S-2TC10](#) [89721-12](#) [89804-08](#) [SSN](#) [RL01801](#) [ASD2L20N-LVO](#) [50051857-17](#)
[50099156-001-05](#) [51.155R-15200](#) [50058920-26](#) [CP-FA51](#) [CP-FA49](#) [ACCU-SC/L-3000](#) [PP9M](#) [PP87G](#) [PP86GA](#) [PP71G](#) [PP70G](#) [PP6G](#)
[PP62G](#) [PP58BL](#) [PP56G](#) [PP86GB](#) [PP77GA](#) [PP76G](#) [PP4M](#) [PP47G](#) [PP46G](#) [PP41M](#) [PP40G](#) [PP32G](#) [RD-20](#) [PP23M](#) [PP12G](#) [PORTAPRO](#)
[POM-2708](#) [PNB-2005](#) [3057.0012](#) [CV-075](#) [CV-140SB](#) [CV-150](#) [CV-150S](#) [214X20XK](#) [CV-180](#) [CV-200MB](#)