

## Presence detectors - talis II PC 40-5-1i

Item 18.06.0021.1



### PRODUCT DESCRIPTION

The PIR presence detector talis II PC 40-5-1i is the device of choice wherever you need to illuminate long corridors, for example in hotels or office buildings. It covers a range of 40 metres length and 5 metres width. It switches the connected electric consumer automatically depending on the ambient brightness and only when there are people present. The remote control makes adjusting settings really simple. Nobody will need to climb any ladders, even if you do need to change anything later. The talis II PC 40-5-1i is suited for surface mounting, flush mounting and for installation in a suspended ceiling.

### APPLICATIONS

- ▶ Building Entrances and Corridors
- ▶ Hallway Lighting
- ▶ Indoor/Outdoor Lighting
- ▶ Light Control
- ▶ Warehouse

### TECHNICAL DATA

#### General

Model Number	18.06.0021.1
Description	talis II PC 40-5-1i
EAN Code	4010940046026
Scope of application	Inside/Outside

#### Control Specifications

Sensor Type	Passive Infra-Red (PIR)
Light level	approx. 10 Lux - infinite Lux; Lux Memory

#### Mechanical Specifications

Mounting Options	Ceiling; Flush Mounting; Surface Mounting (with accessories only); Ceiling (with accessories only)
------------------	--

#### Dimensions

Product Height (mm)	105
Product Width (mm)	105
Product Depth (mm)	60

#### Material Specifications

Color	White (similar to RAL 9016)
Product Weight (kg)	0.173

#### Communication Method

Wired	2-Wire
IR interface	Remote operation

#### Electrical Specifications

Supply Voltage	AC 230 V $\pm$ 10% 50-60 Hz
Load incandescent bulb	max. 2200 W
Load halogen lamp	max. 2200 W (AC); max. 1000 W (LV) conventional
Load compact fluorescent lamp	max. 140 $\mu$ F (non-compensated)

Load LED lamp	max. 600 W
Load energy-saving bulbs	max. 600 W (incl. CFL and PL lamp)
Power consumption (Standby)	<1 VA
Parallel switching	Max. 10 sensors

### Display and Format

Angle of detection	360°
Range walking towards	3 x 16 m
Range walking across	5 x 40 m
Installation height	2,5 m
Time setting (1CH)	approx. 30 sec. - 30 min.

### Operating Specifications

Channels	1
Operating mode	Impulse function; Test Mode; Learning Function

### Environmental Specifications

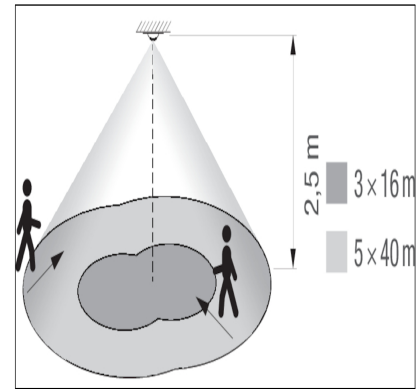
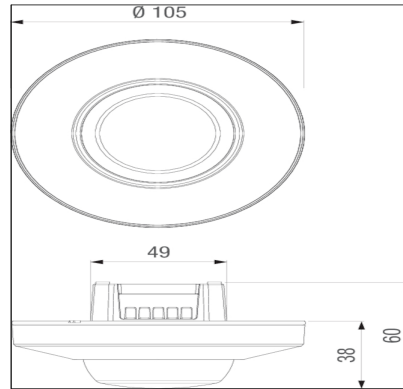
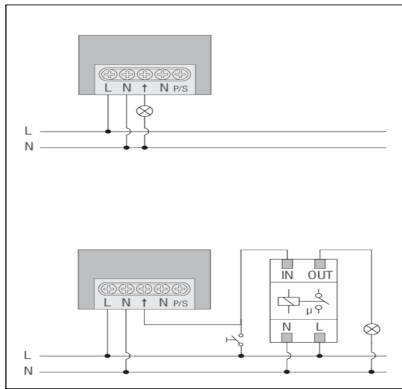
Temperature (operation)	-20°C..45°C
-------------------------	-------------

### Standards and Certifications

Approval mark	CE
Protection class	II, According to Corresponding Mounting
Protection type	IP20, IP54 with Sealing
Standards and Guidelines	EN 55015; EN 60669-1; EN 61000-3-3; EN 61547; 2006/95/CE (LVD); EN 60660-2-1; 2004/108/CE (EMV); EN 61000-3-2

## ANNEX

**RANGE DIAGRAMS**



---

**ACCESSORIES**



07.10.0005.1  
talii II FC BOX 20



07.10.0004.1  
talii II SM BOX 20



07.10.0006.1  
talii II RC IR10

## X-ON Electronics

Largest Supplier of Electrical and Electronic Components

*Click to view similar products for [Specialist Controllers](#) category:*

*Click to view products by [Graesslin](#) manufacturer:*

Other Similar products are found below :

[CV500SLK21](#) [H2CRSAC110B](#) [R88ARR080100S](#) [E53E01](#) [E53E8C](#) [E5GNQ03PFLKACDC24](#) [B300LKL21](#) [NSCXDC1V3](#)  
[NT20SST122BV1](#) [C40PEDRA](#) [K31S5](#) [K31S6](#) [K3TX-AD31A](#) [L595020](#) [26546803](#) [26546805](#) [H7HP-C8D](#) [PWRA440A](#) [CPM1AETL03CH](#)  
[3G2A5BI081](#) [3G2A5IA122](#) [3G2A5OD211](#) [3G2A5RM001EV1](#) [3G2A5RT002EV1](#) [3G2A6-ID217](#) [3G2A6LK202EV1](#) [3G2A9AL004E](#)  
[C200HETL01E](#) [C200PCPD024](#) [3G2A5AD001](#) [3G2A5BI051](#) [3G2A5IA121](#) [3G2A5ID112](#) [3G2A5ID213](#) [3G2A5ID219](#) [3G2A5MR431](#)  
[3G2A5OC221](#) [3G2A5PS222E](#) [3G2A6IM213](#) [3G2A6-OD412](#) [3G2A9AL001](#) [3G2C7LK202EV1](#) [3G5A2OC221E](#) [LDP2TA2B115](#)  
[3G3DV130B4294](#) [E53E04](#) [E53Q4Q4](#) [E54E8CT](#) [C200HWCOM06EV1](#) [NT30KBA04](#)