

telltask - telltask 1C1

Item 44.01.0001.1



PRODUCT DESCRIPTION

telltask is a GSM/UMTS remote control for wall mounting that allows an electrical device to be controlled. To that end, you connect the device to a power socket and the device you wish to control, and then equip it with a SIM card so you can contact it at its own phone number via smartphone. An integrated sensor monitors the room temperature, which can be determined via text message. You can program two temperature thresholds. Up to 6 users are notified via text message in the event of an alarm. Thanks to its power supply with 5.5 and 24 V, the device can also be used in a boat or caravan, for example. The device comes with a 3G antenna, plug-in power supply, USB cable and multilingual software.

FEATURES

- ▶ Notify SMS for up to 6 users
- ▶ Phone Ring Function (up to 300 names)
- ▶ Room Thermostat Function
- ▶ 2 Temperature thresholds
- ▶ Credit indication (rechargeable SIM cards)

APPLICATIONS

- ▶ Air Conditioning
- ▶ Heating or Cooling Systems
- ▶ Lighting
- ▶ Motors
- ▶ Pumps/Motor/Fan Control
- ▶ Ventilation

TECHNICAL DATA

General	
Model Number	44.01.0001.1
Description	telltask 1C1
EAN Code	4010940046170
Device Languages	DE; EN; ES; IT
Keywords	GSM, UMTS, SMS
Housing type	Surface mounted
Scope of delivery	Device, Antenna, CD, USB-Cable, Screw set
Dimensions	
Product Height (mm)	163
Product Width (mm)	56.8
Product Depth (mm)	31
Material Specifications	
Color	White
Communication Method	
Radio signal	GSM triat-band, 900 Mhz, 1800 Mhz, 2100 Mhz ; SIM-Card Typ Micro-SIM 3FF
Electrical Specifications	
Supply Voltage	5.5÷12V DC
Load Voltage	0.5 A / 250 V AC; 1 A / 30 V DC
Switching Output	Changeover contact, potential-free

Display and Format

Status Indicator LED

Internal Sensors

Integrated Sensor Temperature

Operating Specifications

Programming PC

Controls Push button

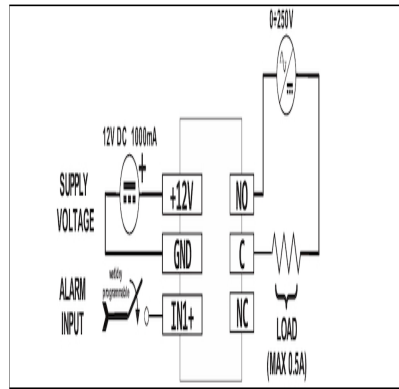
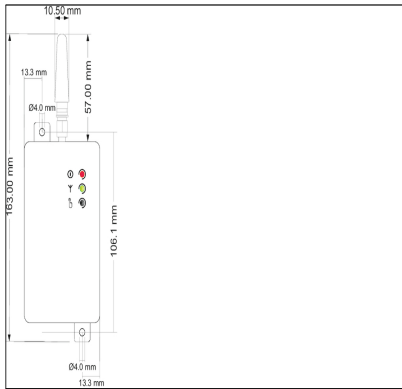
Standards and Certifications

Approval mark CE

Protection type IP20

ANNEX

RANGE DIAGRAMS



X-ON Electronics

Largest Supplier of Electrical and Electronic Components

Click to view similar products for [Specialist Controllers](#) category:

Click to view products by [Graesslin](#) manufacturer:

Other Similar products are found below :

[CV500SLK21](#) [H2CRSAC110B](#) [R88ARR080100S](#) [E53E01](#) [E53E8C](#) [E5GNQ03PFLKACDC24](#) [B300LKL21](#) [NSCXDC1V3](#)
[NT20SST122BV1](#) [C40PEDRA](#) [K31S5](#) [K31S6](#) [K3TX-AD31A](#) [L595020](#) [26546803](#) [26546805](#) [H7HP-C8D](#) [PWRA440A](#) [CPM1AETL03CH](#)
[3G2A5BI081](#) [3G2A5IA122](#) [3G2A5OD211](#) [3G2A5RM001EV1](#) [3G2A5RT002EV1](#) [3G2A6-ID217](#) [3G2A6LK202EV1](#) [3G2A9AL004E](#)
[C200HETL01E](#) [C200PCPD024](#) [3G2A5AD001](#) [3G2A5BI051](#) [3G2A5IA121](#) [3G2A5ID112](#) [3G2A5ID213](#) [3G2A5ID219](#) [3G2A5MR431](#)
[3G2A5OC221](#) [3G2A5PS222E](#) [3G2A6IM213](#) [3G2A6-OD412](#) [3G2A9AL001](#) [3G2C7LK202EV1](#) [3G5A2OC221E](#) [LDP2TA2B115](#)
[3G3DV130B4294](#) [E53E04](#) [E53Q4Q4](#) [E54E8CT](#) [C200HWCOM06EV1](#) [NT30KBA04](#)