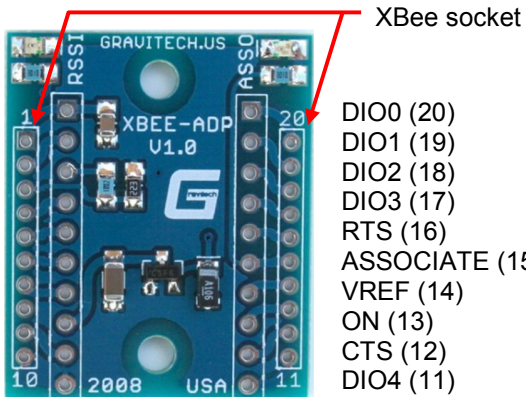


PINOUT

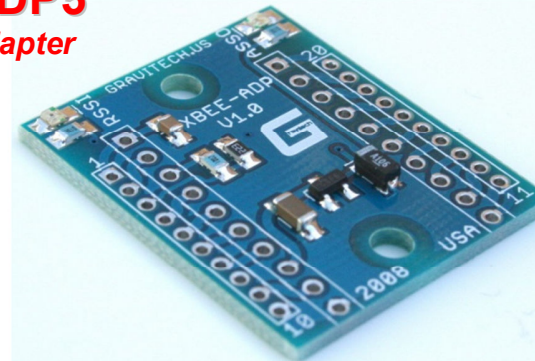
3V3/OUT (1)
 DOUT (2)
 DIN (3)
 DIO12 (4)
 RESET (5)
 RSSI (6)
 DIO11 (7)
 5V/IN (8)
 DTR (9)
 GND (10)



DIO0 (20)
 DIO1 (19)
 DIO2 (18)
 DIO3 (17)
 RTS (16)
 ASSOCIATE (15)
 VREF (14)
 ON (13)
 CTS (12)
 DIO4 (11)

* See schematic for more detail.

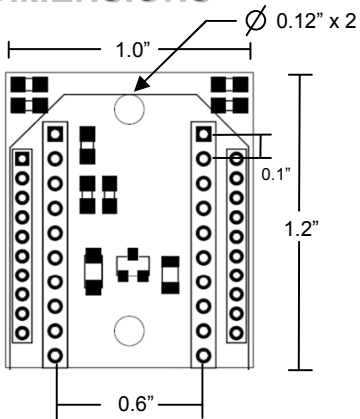
XBee-ADP5 5V XBee adapter



electronic experimental solutions

Copyright © 2008 Gravitech
WWW.GRAVITECH.US

DIMENSIONS

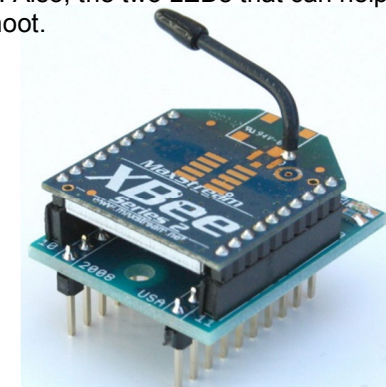
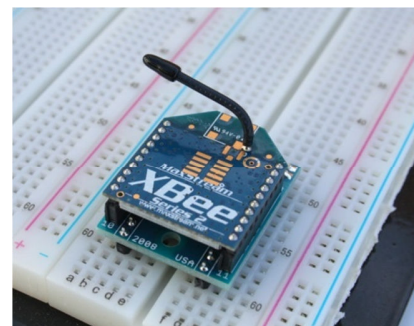


FEATURES

- Works with all XBee modules including the Series 1, Series 2, and Series 2.5; standard and Pro.
- On-board 3.3V 250mA voltage regulator
- Included male header pins
- Two mounting holes
- Compact size 1.0" x 1.2"
- 0.1" spacing (breadboard friendly)
- RSSI and ASSOCIATE LEDs
- Accessibility to every Xbee pin

DESCRIPTION

It is the easiest and most reliable way to connect the Xbee module to your favorite microcontroller. This is a 5V version, which means you can connect it directly to the 5V logic microcontroller. There is an on-board 3.3V 250mA voltage regulator. Also, the two LEDs that can help you monitoring and quickly troubleshoot.



XBee and XBeePRO are Trademarks of Digi International Inc.

X-ON Electronics

Largest Supplier of Electrical and Electronic Components

Click to view similar products for [Sockets & Adapters](#) category:

Click to view products by [Gravitech](#) manufacturer:

Other Similar products are found below :

[6508-0-00-01-00-00-33-0](#) [AC164348](#) [1262](#) [22827](#) [AC164353](#) [TDGL015](#) [SA247](#) [SM64TQ-ACTEL-1](#) [70-0036](#) [8.06.03](#) [DS91230+](#) [SMPA-ISP-ACTEL-3-KIT](#) [16017](#) [LFVDBGF](#) [KIT 70601-3](#) [SM132CQ-ACTEL](#) [R0E000010ACB20](#) [IPC0181](#) [IPC0175](#) [IPC0165](#) [AC164397](#) [conga-Thin MITX/eDP to DP Adapter](#) [SLG46621V-SKT](#) [SLG46722V-SKT](#) [ML-ADP-EVN](#) [TOOLSTICK990MPP](#) [110-83-320-41-605101](#) [110-83-632-41-605101](#) [110-83-640-41-605101](#) [110-83-628-41-605101](#) [116-83-306-41-001101](#) [PA0003](#) [PA0007](#) [PA0009](#) [PA0035](#) [PA0085](#) [PA0096](#) [IPC0079](#) [ATARD-DBGADPT](#) [80-000286](#) [ATSTK600-RC88](#) [ATSTK600-SC06](#) [ATSTK600-RC78](#) [SPC560PADPT64S](#) [AC164345](#) [AC164342](#) [AC164038](#) [14-351000-11-RC](#) [966927-1](#) [116-87-308-41-003101](#)