

SERIES 02

FEATURES

- Rapid, Easy Connections
- Hex Nut for Adjusting Tension
- Choices of Sizes and Styles

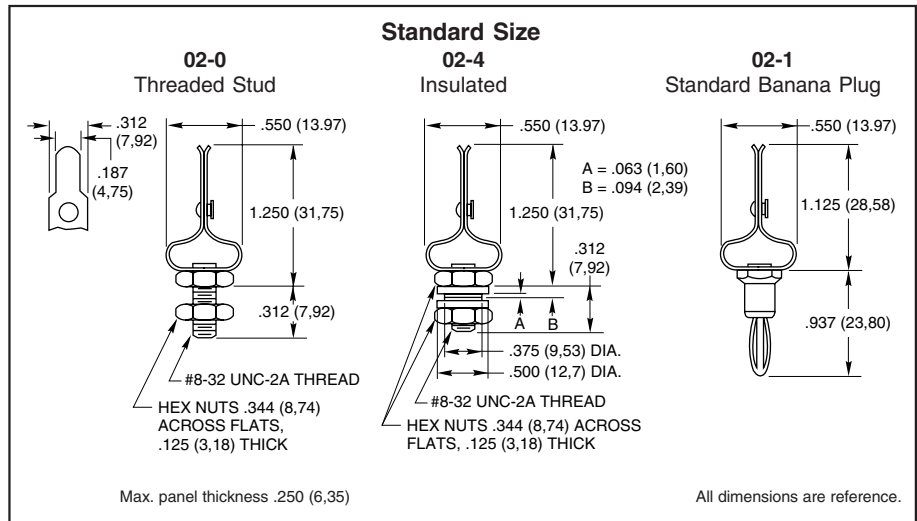
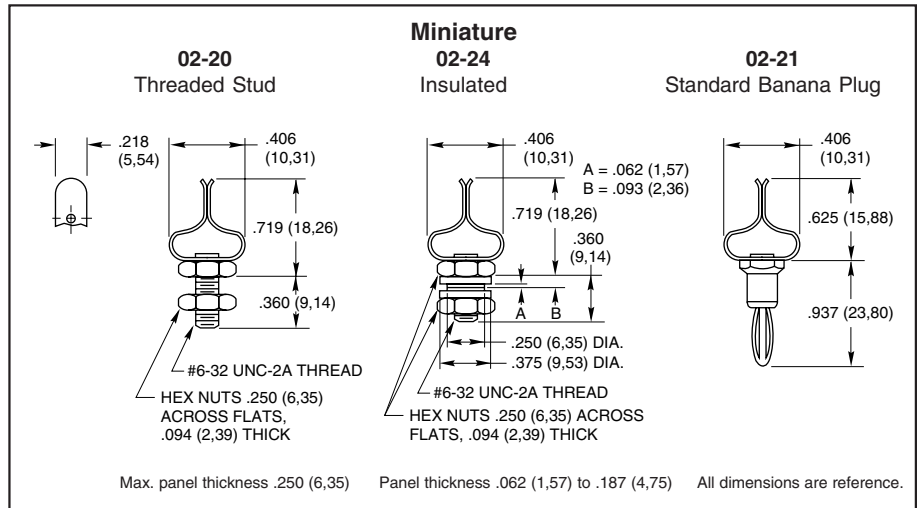


Ultra-Miniature

Miniature

Standard Size

DIMENSIONS In Inches (and millimeters)



STANDARD OPTIONS

Standard Size Threaded Stud Clip can be made of Stainless Steel or Inconel X material.
Not available through Distributors.

SPECIFICATIONS

Materials and Finishes

Studs: Nickel-plated steel except for 02-41 and 02-42 which are nickel-plated brass
Rivets and Nuts: Nickel-plated brass
Spring Clips: Nickel-plated brass except for 02-41 and 02-42 which are nickel-plated beryllium copper
Insulators: Thermoset plastic

ORDERING INFORMATION

Order using part numbers shown in dimensions.

Available from your local Grayhill Distributor.
For prices and discounts, contact a local Sales Office, an authorized local Distributor or Grayhill.

X-ON Electronics

Largest Supplier of Electrical and Electronic Components

Click to view similar products for [Test Clips](#) category:

Click to view products by [Grayhill](#) manufacturer:

Other Similar products are found below :

[010000](#) [923743-16](#) [923850-C](#) [BU-656-0](#) [4140A](#) [4324A](#) [TL820](#) [TL822](#) [5116](#) [5450](#) [5216](#) [5252](#) [5454](#) [5694](#) [923700](#) [923698](#) [CR0060](#) [3038](#)
[927739-20](#) [923743-14](#) [923743-40](#) [932146101](#) [930318100](#) [930126101](#) [Z-SB3FA3250AAAB04001](#) [Z-S11F0107G1000](#) [Z-S11F0207B1520](#) [Z-](#)
[S11F0207B2030](#) [Z-S11F0207B15000](#) [Z-SB3FA3226AAAB11001](#) [Z-S11F0207B1010](#) [Z-S11F0207B3000](#) [923706](#) [930317800](#) [930317801](#)
[973889100](#) [972405100](#) [972405101](#) [923714](#) [R999720600](#) [949-1](#) [458-3](#) [SK 201200278 020](#) [BU-65-B](#) [BU-21CPN-GZZZ](#) [PK-HVA-02](#) [BU-](#)
[25C-DZZZ](#) [BU-142-2](#) [BU-128-0](#) [BU-127](#)