

SERIES 04J

Joystick with Center Pushbutton

FEATURES

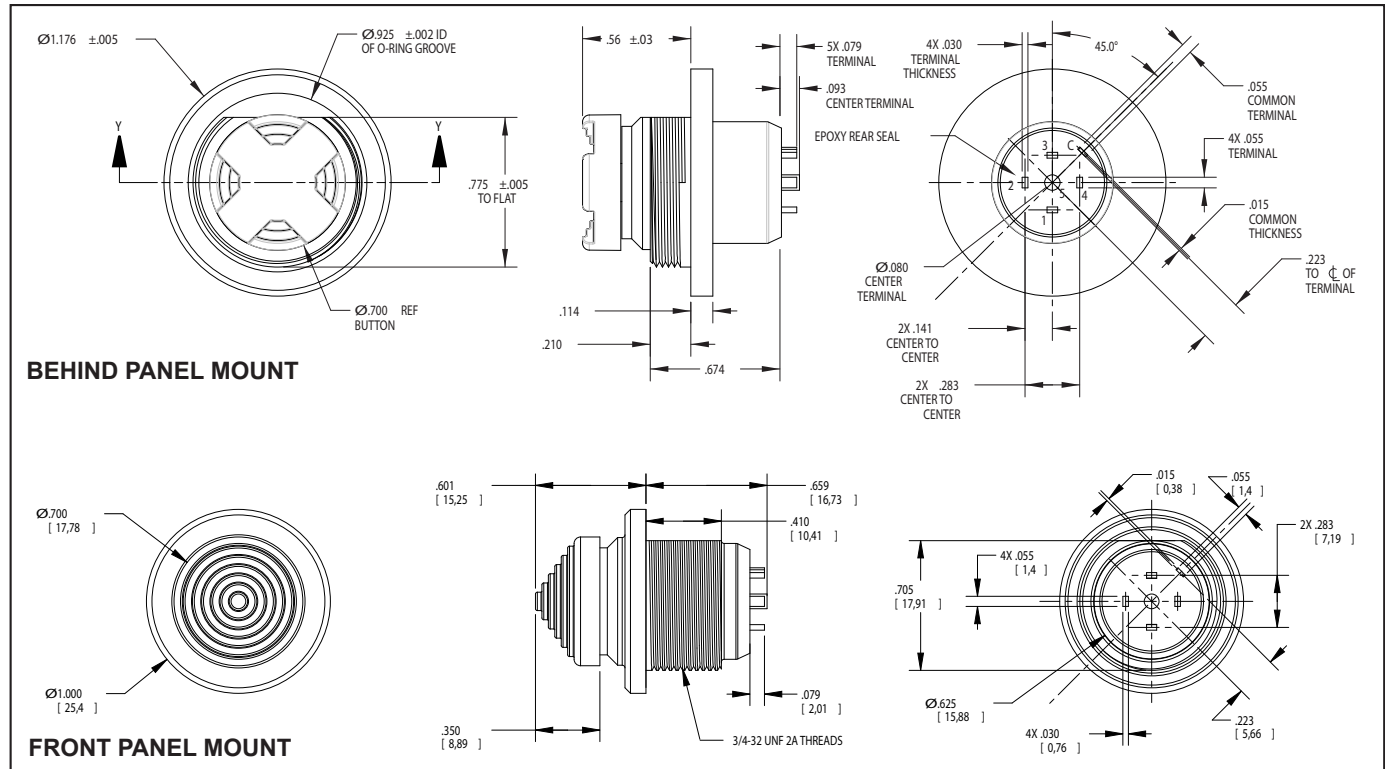
- Sealed against contamination when properly mounted (IP67)
- Two styles available: behind-panel mount or front-panel mount
- RoHS compliant
- Short behind panel

DESCRIPTION

Series 04J is a single pole, 4-way toggle switch with a pushbutton in the center position. 4-way contact is made in the opposite direction of travel.



DIMENSIONS in inches (and millimeters)



ELECTRIC & MECHANICAL RATINGS

Rating: 2 amp resistive; 0.5 amp inductive at 28VDC or 115VAC
Contact Resistance: .05 ohms (max)
Operating Temperature: -55°C to +85°C
Operational Life: 100,000 cycles (min)
Pushbutton Travel: .020 minimum overall
Pushbutton Operating Force: 5 lbs. (max)
Insulation Resistance: 10,000M ohms

Vibration: per MIL-DTL-9419F, Method 3.5.9

Toggle Lever Travel: 15° from center (max)
Toggle Operating Force: 16 oz ± 6 oz initial
Toggle Pivot & Stop Strength: 25 lbs. (max)
Mechanical Shock: per MIL-STD-810, procedure I, method 516.4
Immersion: per MIL-PRF-8805
Moisture Resistance: per MIL-DTL-9419

MATERIALS & FINISHES

Switch Body & Concave Cap: Thermoplastic (black, cone-shaped cap is gray)
Bushing: Aluminum alloy (black chrome)
Contact Terminals: 1/2 hard brass (gold over silver over nickel plating)
Spanner Nut: Stainless steel (black chrome)
O-Ring: 50 durometer fluorosilicone

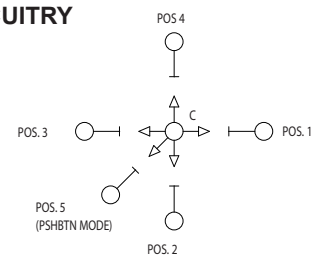
ORDERING INFORMATION

Available from your local Grayhill Distributor.

For prices and discounts, contact a local sales office, an authorized local distributor or Grayhill.

Grayhill Series Number
Version:
 B = behind panel; A = front panel
Connection:
 P = PCB mount; S = solder lugs
 04J-BP-T01
Current: 1 = high; 2 = low
Keycap Color: 0 = black; 1 = gray
Keycap Shape:
 T = stadium cap; C = cone-shaped cap

CIRCUITRY



*Contact made opposite the direction of travel

X-ON Electronics

Largest Supplier of Electrical and Electronic Components

Click to view similar products for [Joysticks](#) category:

Click to view products by [Grayhill](#) manufacturer:

Other Similar products are found below :

[M11L0A1](#) [C10O0C1P](#) [JOY-THUMB](#) [S10L0A1M](#) [G3-A1AM151NNNN](#) [TH500P00D4](#) [C10O0C1PMJ0](#) [S10L061J](#) [60C22-M7-4-020S](#) [67A-DF-3C-060C](#) [60A00-8-050C](#) [60A00-4-050C](#) [60C22-M7-4-040S](#) [G3-0425](#) [S30L081F50](#) [3440SAT6476](#) [60A18-4-090C](#) [S30L081J](#)
[M11L001C](#) [M11L0X1P](#) [USBM31Q081RMJ4S](#) [USBC20O051JMJS](#) [TW08BLK12](#) [HRS202B1](#) [S30L0M1CSJBLK](#) [HF11R11](#) [HG-44MIS000-2654](#) [HG-44MIS000-U-2655](#) [4P182F1E55475](#) [TS4A1S00A](#) [BD140D01GR0000](#) [BD150SD4BL1200](#) [3140SAL6475](#) [TW01BLK11](#)
[TW01GRY1](#) [ZD4PA203](#) [HF44S10UMJ0](#) [TS3N2S00A](#) [TS1R1U00A](#) [TS1R1S09A](#) [TS1D2S00A](#) [TS1D1U02A](#) [HFX45S02](#) [HFX10S00](#)
[HF11P11](#) [4R28-2S1E-55-00](#) [BD150A01RE0000](#) [ZD4PA24](#) [ZD4PA22](#) [ZD4PA12](#)