

## SERIES 04J

### Joystick with Center Pushbutton

#### FEATURES

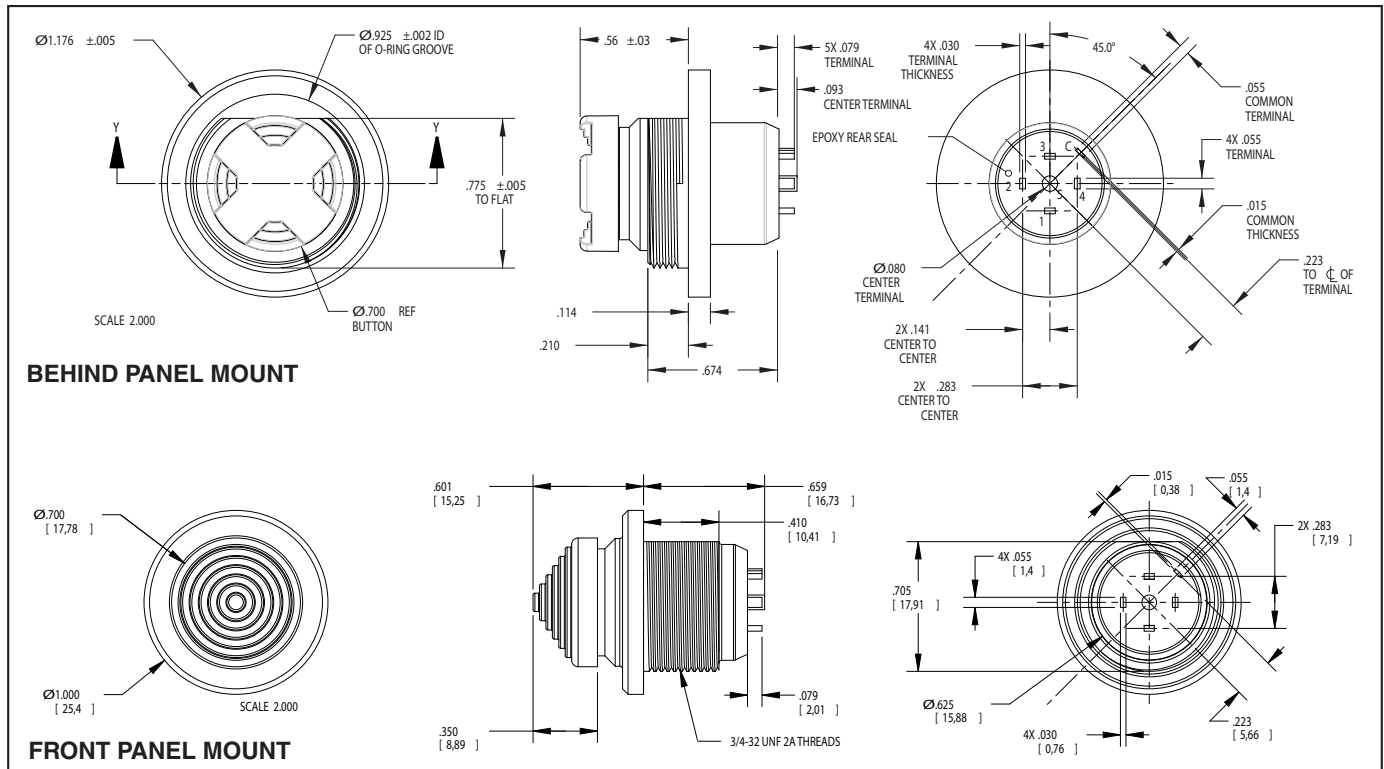
- Sealed against contamination when properly mounted (IP68)
- Two formats available: behind-panel mount or front-panel mount

#### DESCRIPTION

Series 04J is a single pole, 4-way toggle switch with a pushbutton in the center position. 4-way contact is made in the opposite direction of travel.



#### DIMENSIONS in inches (and millimeters)



#### ELECTRIC & MECHANICAL RATINGS

**Rating:** 2 amp resistive; 0.5 amp inductive at 28VDC or 115VAC

**Contact Resistance:** .05 ohms (max)

**Operating Temperature:** -55°C to +85°C

**Operational Life:** 100,000 cycles (min)

**Pushbutton Travel:** .020 minimum overall

**Pushbutton Operating Force:** 5 lbs. (max)

**Toggle Lever Travel:** 15° from center (max)

**Toggle Operating Force:** 16 oz ± 6 oz initial

**Toggle Pivot & Stop Strength:** 25 lbs. (max)

**Mechanical Shock:** per MIL-STD-810, procedure I, method 516.4

**Immersion:** per MIL-PRF-8805

**Moisture Resistance:** per MIL-DTL-9419

#### MATERIALS & FINISHES

**Switch Body & Concave Cap:** Thermoplastic (black, cone-shaped cap is gray)

**Bushing:** Aluminum alloy (black chrome)

**Contact Terminals:** 1/2 hard brass (gold over silver over nickel plating)

**Spanner Nut:** Stainless steel (black chrome)

**O-Ring:** 50 durometer fluorosilicone

#### ORDERING INFORMATION

Available from your local Grayhill Distributor.

For prices and discounts, contact a local sales office, an authorized local distributor or Grayhill.

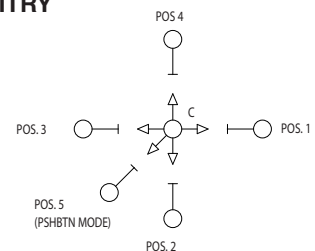
**Grayhill Series Number**  
**Version:**  
 B = behind panel; A = above panel  
**Connection:**  
 P = pcb mount; S = solder lugs

04J-BP-T01

**Current:** 1 = high; 2 = low\*  
**Keypad Color:** 0 = black; 1 = gray  
**Keypad Shape:**  
 T = concave cap; C = cone-shaped cap

\* Low Level signal is defined as a very small electrical load (i.e., 50 millivolts at 10 milliamps)

#### CIRCUITRY



## X-ON Electronics

Largest Supplier of Electrical and Electronic Components

*Click to view similar products for [Joysticks](#) category:*

*Click to view products by [Grayhill](#) manufacturer:*

Other Similar products are found below :

[M11L0A1](#) [C10O0C1P](#) [JOY-THUMB](#) [S10L0A1M](#) [G3-A1AM151NNNN](#) [TH500P00D4](#) [C10O0C1PMJ0](#) [S10L061J](#) [60C22-M7-4-020S](#) [67A-DF-3C-060C](#) [60A00-8-050C](#) [60A00-4-050C](#) [60C22-M7-4-040S](#) [G3-0425](#) [S30L081F50](#) [3440SAT6476](#) [60A18-4-090C](#) [S30L081J](#)  
[M11L001C](#) [M11L0X1P](#) [USBM31Q081RMJ4S](#) [USBC20O051JMJS](#) [TW08BLK12](#) [HRS202B1](#) [S30L0M1CSJBLK](#) [HF11R11](#) [HG-44MIS000-2654](#) [HG-44MIS000-U-2655](#) [4P182F1E55475](#) [TS4A1S00A](#) [BD140D01GR0000](#) [BD150SD4BL1200](#) [3140SAL6475](#) [TW01BLK11](#)  
[TW01GRY1](#) [ZD4PA203](#) [HF44S10UMJ0](#) [TS3N2S00A](#) [TS1R1U00A](#) [TS1R1S09A](#) [TS1D2S00A](#) [TS1D1U02A](#) [HFX45S02](#) [HFX10S00](#)  
[HF11P11](#) [4R28-2S1E-55-00](#) [BD150A01RE0000](#) [ZD4PA24](#) [ZD4PA22](#) [ZD4PA12](#)