

SERIES 30 Snap-in Panel Mounting

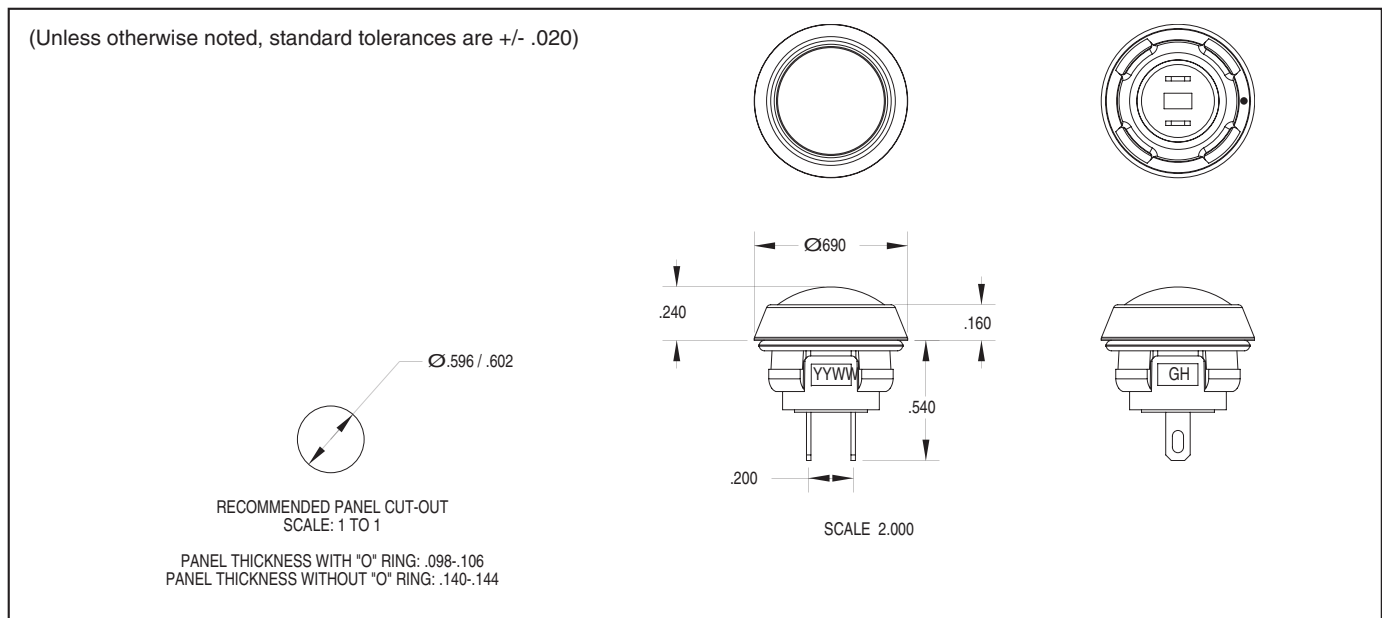
FEATURES

- Convenient Snap-in Panel Mounting
- Choice of 6 Button Colors
- SPST (Momentary Contact)
- Gold Plated Contacts
- Sealed
- Butt Contact System



DIMENSIONS In inches (and millimeters)

(Unless otherwise noted, standard tolerances are +/- .020)



Pushbutton Switches

MATERIAL

- Button, Housing, Base and Plunger: Nylon, 45% Glass-filled
- Terminal: Brass, gold-plated over nickel
- Shorting Bar: Brass, gold-plated over nickel
- Internal Seal: Silicone Rubber
- O-ring Seal: Silicone
- Spring: Tinned music wire
- Travel: .090 Nominal
- Travel Before Make: .035 Nominal

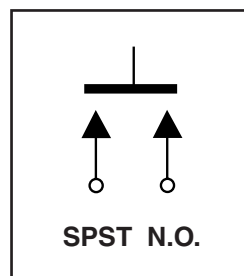
RATINGS

- Cycles: 500,000 Actuations
- Operating Temperature: -40° C to +80° C
- Shock: 100 G's/6 Milliseconds
- Rating at 24 VDC: 150 Milliamps
- Voltage Breakdown: 1000 VAC between mutually insulated parts
- Contact Resistance: 25 milliohms max on new switch
- Insulation: 1,000 megohms minimum

ORDERING INFORMATION

Part Number	Description
30-100	Black
30-101	Red
30-102	Green
30-103	Yellow
30-104	Orange
30-105	Blue

CIRCUITRY



X-ON Electronics

Largest Supplier of Electrical and Electronic Components

Click to view similar products for [Pushbutton Switches](#) category:

Click to view products by [Grayhill](#) manufacturer:

Other Similar products are found below :

[8940K2012](#) [LW1L-M1C10V-A](#) [LW1L-M1C70-A](#) [LW2L-A1C20M-GD](#) [LW2L-M1C20M-A](#) [60324L](#) [M22-D-R-GB0/K11](#) [M7E-HRN2](#)
[67021K512](#) [67081K512X](#) [701PB580](#) [7199K101](#) [810K12910](#) [810KSV30B](#) [MML21EA2ADK](#) [MML21KA3ABK](#) [MML23KA3AC05K-001](#)
[MML23KW3AA01W](#) [8418K2](#) [8442K3](#) [8450K1](#) [860K11911T01A](#) [861901](#) [861K11911T01A07](#) [861K13810T00A14](#) [861K13911](#)
[8646AB6X718UL](#) [8646ABUL](#) [9001KXRK](#) [907AYY100](#) [PMHD155A1](#) [9533CD4+U574+U4922](#) [95-414.000](#) [99-450.837](#) [99-453.837](#)
[PV3H2B0NN-341](#) [1203MRA](#) [A22NZBGANGA](#) [A22NZBNANGA](#) [A22NZMPATRA](#) [A2PMA1X03EC56](#) [A3A-5123-02](#) [A3A-7140](#) [A3A-7310](#) [A3A-7340](#) [A3U-TMW-A2C-5M](#) [A595](#) [12037A2ULCSA](#) [ABD122N-B](#) [1211390004](#)