

SERIES 38BM AND 38BC Sub-Miniature Surface Mount

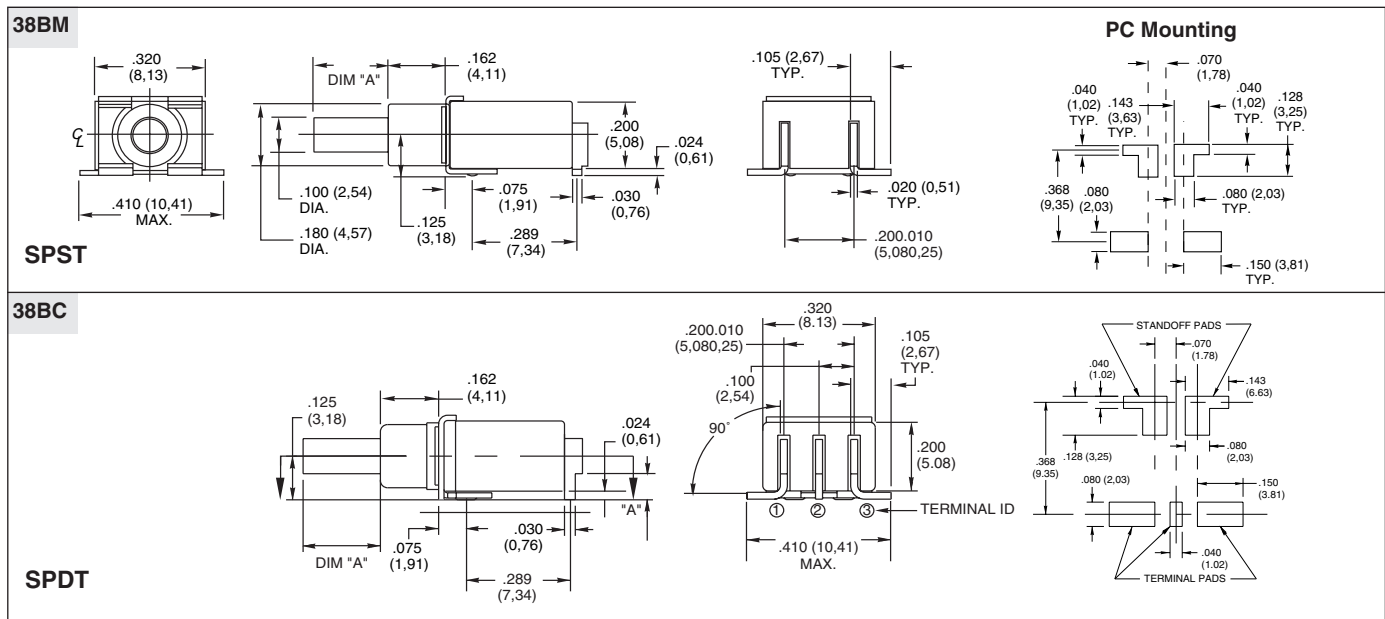
FEATURES

- Surface Mount Process Compatible
- Sealed Construction
- SPST and SPDT, Momentary Contact
- Extended or Flush Plunger
- Drop-In Replacement for Industry Standard



SPECIFICATIONS

DIMENSIONS in inches (and millimeters)



Rating Criteria

Operating Life: 80,000 make-and-break cycles at full load

Contact Rating (resistive load):

Gold Contacts: 0.4 VA maximum at 20 Vac or Vdc maximum

Silver Contacts: 1.0 Amps maximum at 120 Vac or 28 Vdc

Contact Resistance: Below 20 milliohms typical initial at 2-4 Vdc, 100 mA

Insulation Resistance: 1000 megaohms min.

Voltage Breakdown: 1000 Vrms minimum at sea level

Operating Temperature: -30°C to +85°C

Solderability: Per MIL-STD-202F, Method 208D, or EIA RS-186E Method 9 (1 hour steam aging)

Materials and Finishes

Base and Cover: Thermoplastic (UL 94V-0)

Plunger: Thermoplastic (UL 94V-0), with standard internal o-ring seal

Terminals: Copper alloy, gold plate over nickel plate

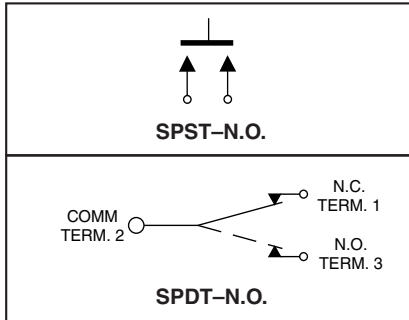
Spring: Plated Music Wire

Contact System: Copper alloy, gold or silver plate (as specified) over nickel plate

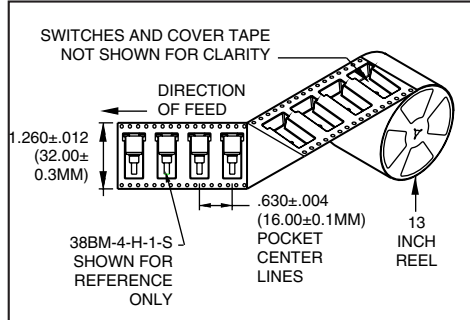
Switch Support: Brass, tin-plated

SERIES 38BM AND 38BC Sub-Miniature Surface Mount

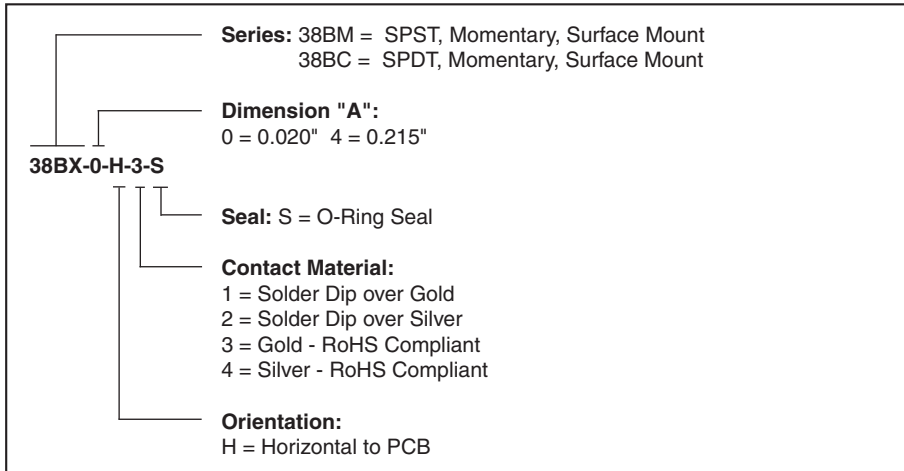
CIRCUITRY



TAPE AND REEL PACKAGING



ORDERING INFORMATION



X-ON Electronics

Largest Supplier of Electrical and Electronic Components

Click to view similar products for [Pushbutton Switches](#) category:

Click to view products by [Grayhill](#) manufacturer:

Other Similar products are found below :

[LW1L-M1C10V-A](#) [LW2L-A1C20M-GD](#) [LW2L-M1C20M-A](#) [60324L](#) [M7E-HRN2](#) [67021K512](#) [67081K512X](#) [701PB580](#) [719-5504-000](#)
[MDPSSGLFS](#) [810KSV30B](#) [MML23KA3AC05K-001](#) [MML23KW3AA01W](#) [8418K2](#) [8646AB6X718UL](#) [8646ABUL](#) [FSDWH](#) [9001KXRK](#)
[9001T8BK](#) [9533CD4+U574+U4922](#) [1203MRA](#) [A22EM01S](#) [A595](#) [1202A6](#) [12037A2ULCSA](#) [1203A2UL](#) [ABD122N-B](#) [1211390004](#)
[ABN111-Y](#) [1211500044](#) [1211580012](#) [1212MRA](#) [1232A6NF](#) [RA3CSH6A](#) [1241.1183.7047](#) [1241.2511](#) [1241.3428](#) [1223A2ULCSA](#)
[1223MRA](#) [1232AX2119](#) [1241.1183.8000](#) [1241.1183.8029](#) [1241.2506](#) [1241.2606](#) [12MA6](#) [1301940184](#) [RELBARF6X10\(PLASTIC\)](#)
[13435AG](#) [13440AD2G25X822+U4546](#) [13445A4GX768](#)