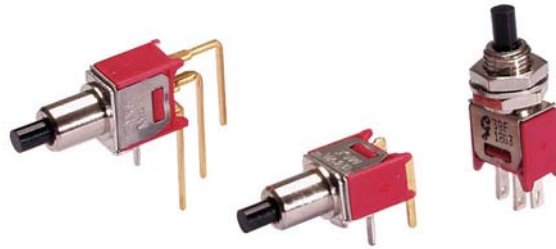


**SERIES 38F**  
**Sub-Miniature**  
**Pushbutton Switches**

**FEATURES**

- Save Space and Weight
- SPDT and DPDT Circuitry
- Choice of Actuators, Bushings, and Terminations
- UL Recognized



**MODELS** IN INCHES (AND MILLIMETERS)

**SPST**

FLAT  
 $\text{Ø}.240$  ( $\text{Ø}6.10$ )  
 $.173$  (4.39)  
 $.155$  (3.94)  
 $\text{Ø}.100$  ( $\text{Ø}2.54$ )  
 $.214$  (5.45)  
 $.282$  (7.18)  
 10-48UNS  
 $.200$  (5.08)  
 $.020$  (0.51)  
 $.110$  (2.79)

SCHEMATIC

()=MOMENTARY

MODEL NO.	SWITCH POSITION	
SP9	OFF	(ON)

**SPDT**

FLAT  
 $\text{Ø}.240$  ( $\text{Ø}6.10$ )  
 $.173$  (4.39)  
 $.155$  (3.94)  
 $\text{Ø}.100$  ( $\text{Ø}2.54$ )  
 $.214$  (5.45)  
 $.282$  (7.18)  
 10-48UNS  
 $.200$  (5.08)  
 $.020$  (0.51)  
 $.160$  (4.06)  
 $.110$  (2.79)

SCHEMATIC

N.C.1  
 2COMM.  
 3N.O.

()=MOMENTARY

MODEL NO.	SWITCH POSITION	
SP8	ON	(ON)
TERM. COMM.	2-1	2-3

**BUSHING OPTIONS** IN INCHES (AND MILLIMETERS)

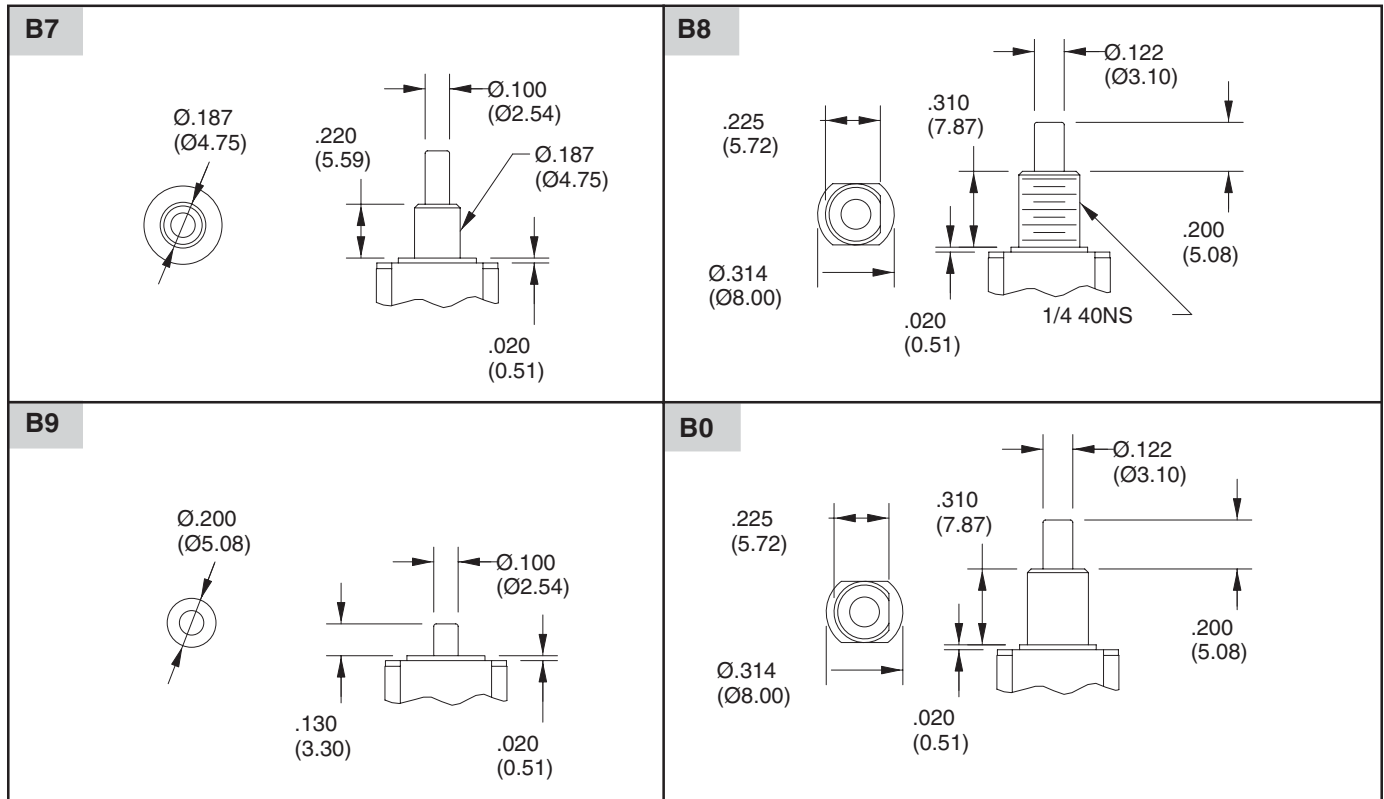
**B5**

$\text{Ø}.100$  ( $\text{Ø}2.54$ )  
 $.220$  (5.59)  
 $.173$  (4.39)  
 10-48 UNS  
 $.020$  (0.51)

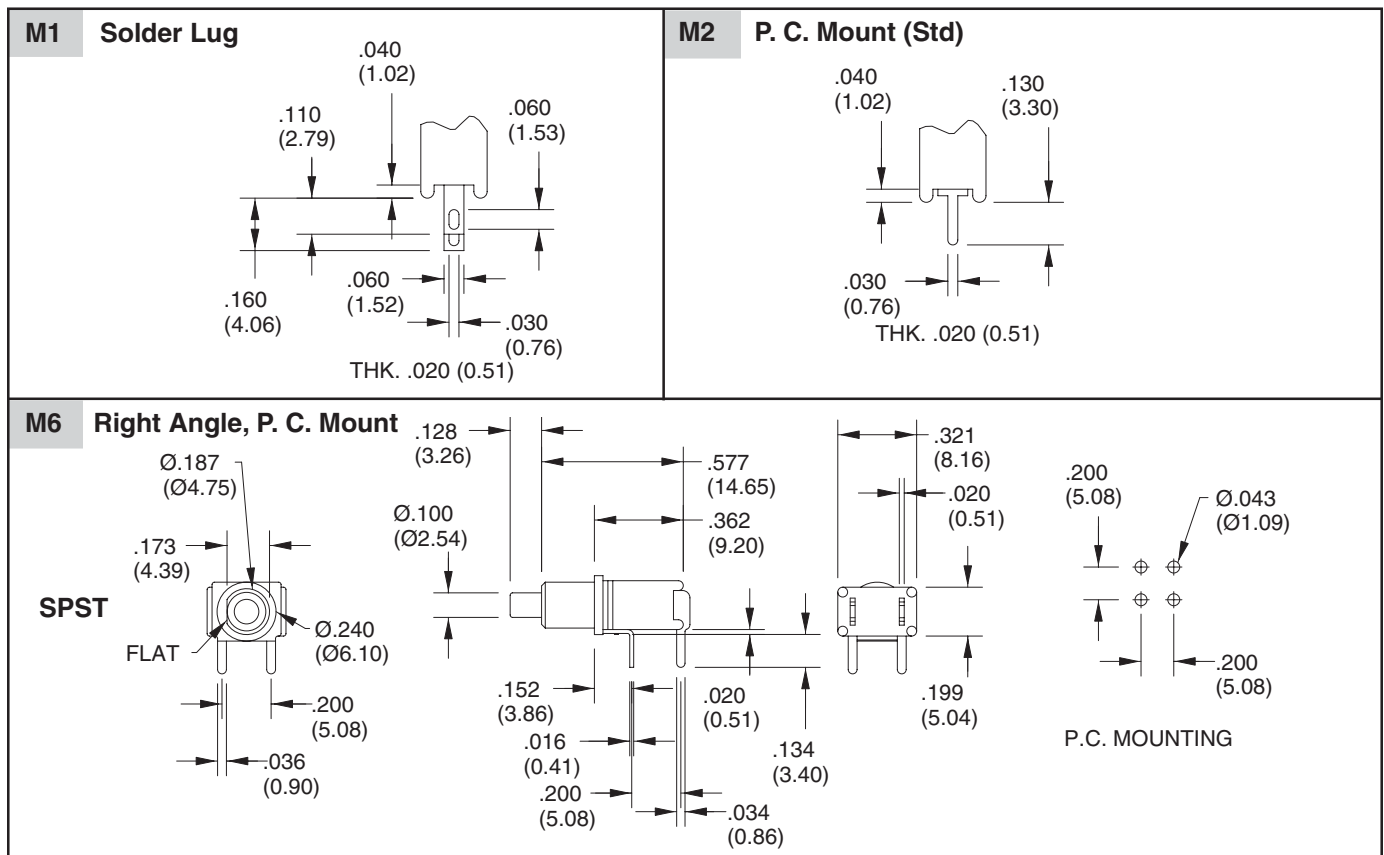
**B6**

$\text{Ø}.100$  ( $\text{Ø}2.54$ )  
 $.220$  (5.59)  
 $.173$  (4.39)  
 $\text{Ø}.187$  ( $\text{Ø}4.75$ )  
 $.020$  (0.51)

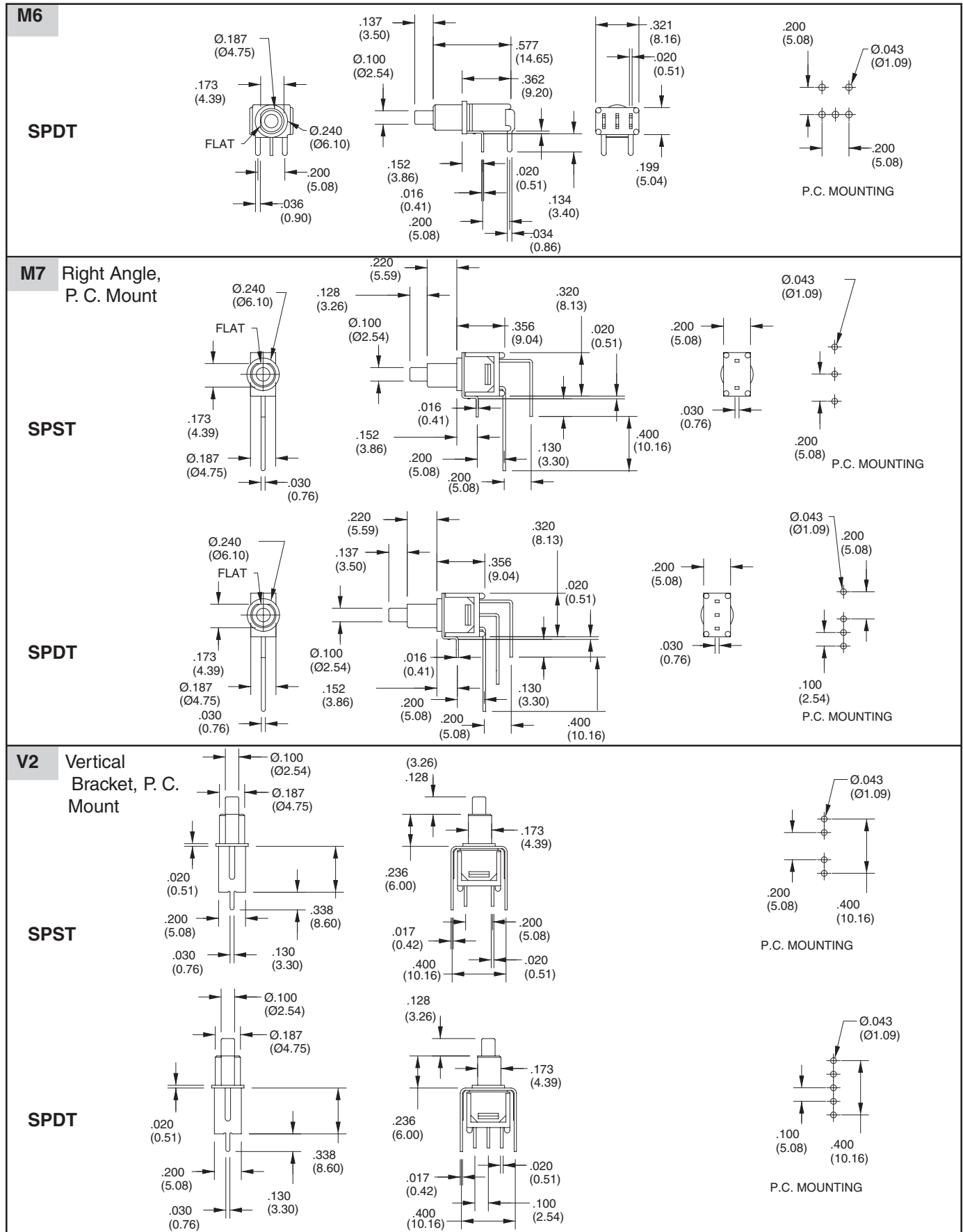
## BUSHING OPTIONS (CONT.) IN INCHES (AND MILLIMETERS)



## TERMINATION OPTIONS IN INCHES (AND MILLIMETERS)



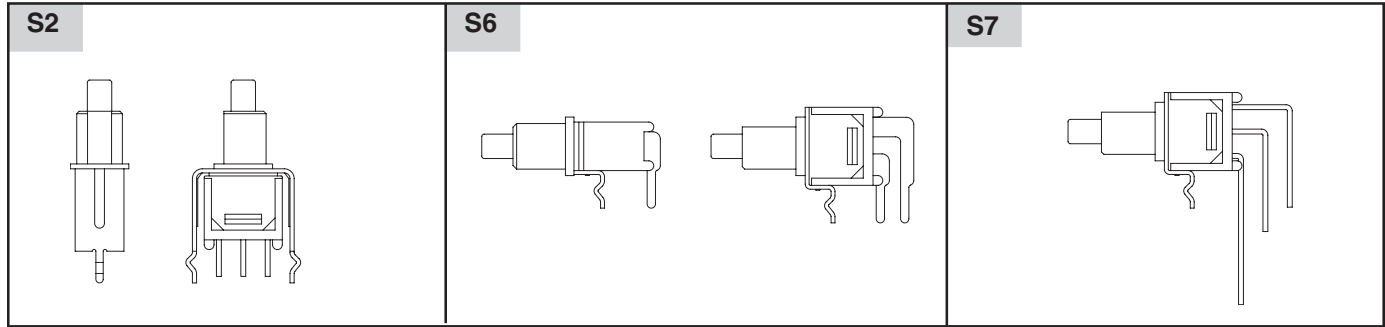
TERMINATION OPTIONS (CONT.) IN INCHES (AND MILLIMETERS)



Pushbutton Switches

## Snap-in Termination Options

(Snap-in termination options have the same PC layout as M2, M6 and M7 options)



## SPECIFICATIONS

### RATINGS

**Contact Rating:** Q & G option - 1A with resistive load @ 125 VAC or 28 VDC; R option - 0.4 VA max @ 20 Vmax (AC or DC)

**Electrical Life:** 30,000 make-and-break cycles at full load

**Travel:** .030 ± .010

**Contact Resistance:** 20 milliohms max. initial @ 2-4 VDC, 100 mA

**Insulation Resistance:** 1,000 megaohms minimum

**Dielectric Strength:** 1,000 V RMS @ sea level

**Operating Temperature:** -30°C to 85°C

### MATERIALS

**Case:** Diallyl phthalate (DAP) (UL94V-0)

**Plunger:** Polyester

**Bushing:** Brass, nickel plated

**Housing:** Stainless steel

**Terminal/Switch Support:** Brass, electrotin plated

**Terminal Seal:** Epoxy

## ORDERING INFORMATION

SERIES	MODEL NO.	BUSHING	TERMINATION	CONTACT	SEAL
<b>38F</b>	<b>SP8</b>	<b>B5</b>	<b>M1</b>	<b>Q</b>	<b>T</b>
38F = Sub-Miniature Pushbutton Switches	Options: SP8, SP9 (see models for switching positions)	Options: B5, B6, B7, B8, B9, B0 (see bushing options)	Options: M1, M2, M6, M7, V2, S2, S6, S7 (see termination options)	R = Copper alloy, gold plate over nickel plate.  Q = Copper alloy, silver plated  G=Gold plate over silver plate	T = Lead Free and RoHS Compliant

**Example Part Number: 38FSP8B5M1QE**

Available from your local Grayhill Component Distributor. For prices and discounts, contact a local Sales Office, an authorized local Distributor or Grayhill.

## X-ON Electronics

Largest Supplier of Electrical and Electronic Components

*Click to view similar products for [Pushbutton Switches](#) category:*

*Click to view products by [Grayhill](#) manufacturer:*

Other Similar products are found below :

[LW1L-M1C10V-A](#) [LW2L-A1C20M-GD](#) [LW2L-M1C20M-A](#) [60324L](#) [M7E-HRN2](#) [67021K512](#) [67081K512X](#) [701PB580](#) [719-5504-000](#)  
[MDPSSGLFS](#) [810KSV30B](#) [MML21KA3ABK](#) [MML23KA3AC05K-001](#) [MML23KW3AA01W](#) [8418K2](#) [8646AB6X718UL](#) [8646ABUL](#)  
[FSDWH](#) [9001KXRK](#) [9001T8BK](#) [9533CD4+U574+U4922](#) [1203MRA](#) [A22EM01S](#) [A595](#) [1202A6](#) [12037A2ULCSA](#) [1203A2UL](#) [ABD122N-](#)  
[B](#) [1211390004](#) [ABN111-Y](#) [ABN400-R](#) [1211500044](#) [1211580012](#) [1212MRA](#) [1232A6NF](#) [RA3CSH6A](#) [1241.1183.7047](#) [1241.2511](#)  
[1241.3428](#) [1223A2ULCSA](#) [1223MRA](#) [1232AX2119](#) [1241.1183.8000](#) [1241.1183.8029](#) [1241.2506](#) [1241.2606](#) [12MA6](#) [1301940184](#)  
[RELBARF6X10\(PLASTIC\)](#) [13435AG](#)