

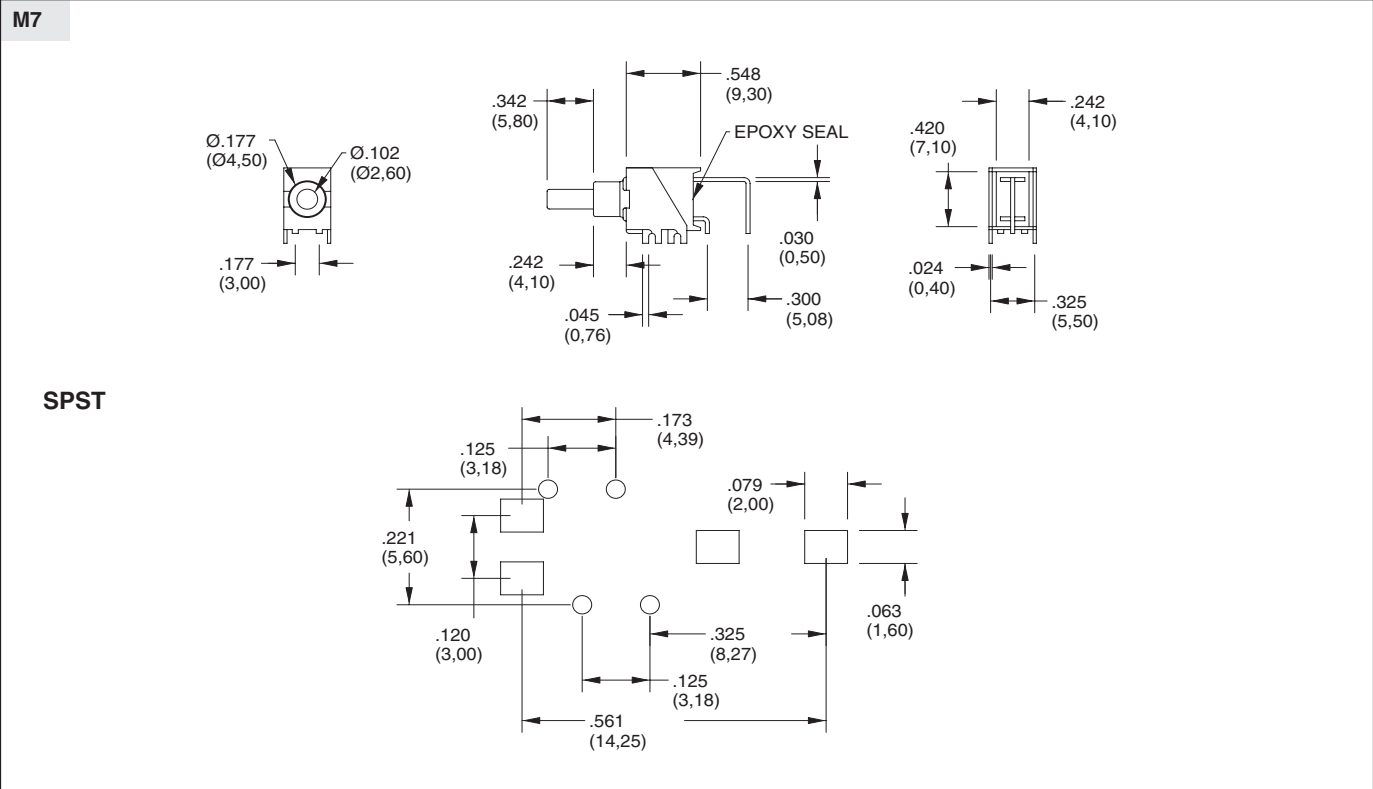
**SERIES 38H**  
**Sealed Surface Mount Subminiature**  
**Pushbutton Switches**

**FEATURES**

- Surface Mount Process Compatible
- Sealed Construction
- Solder-Coated Terminals
- Tape and Reel Packaging
- SPST and SPDT Momentary Contact
- Sealed Per IP67



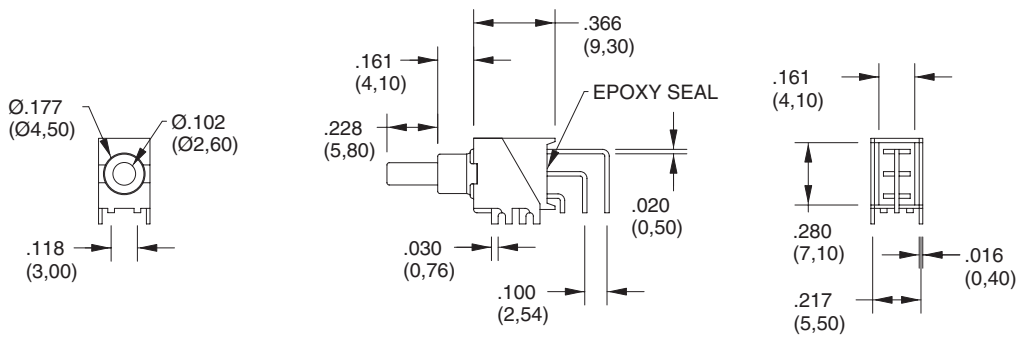
**DIMENSIONS** in inches (and millimeters)



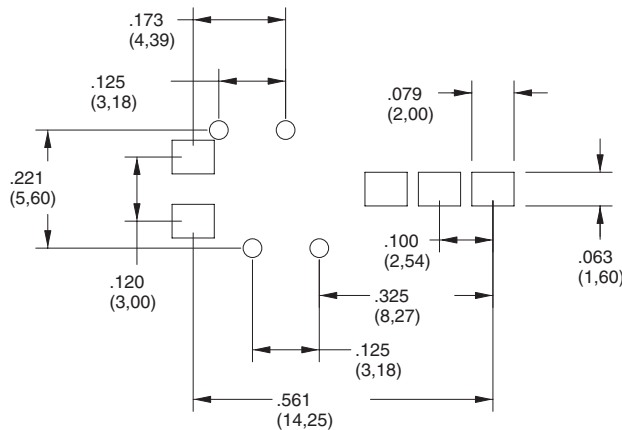
Pushbutton Switches

**DIMENSIONS** in inches (and millimeters)

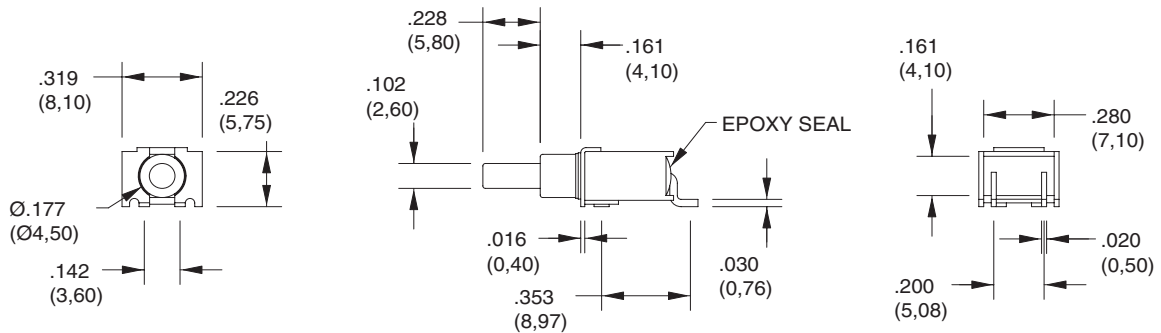
**M7**



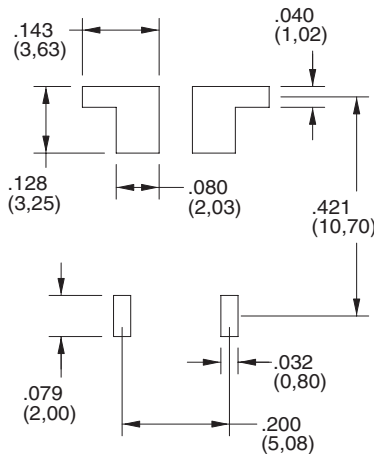
**SPDT**



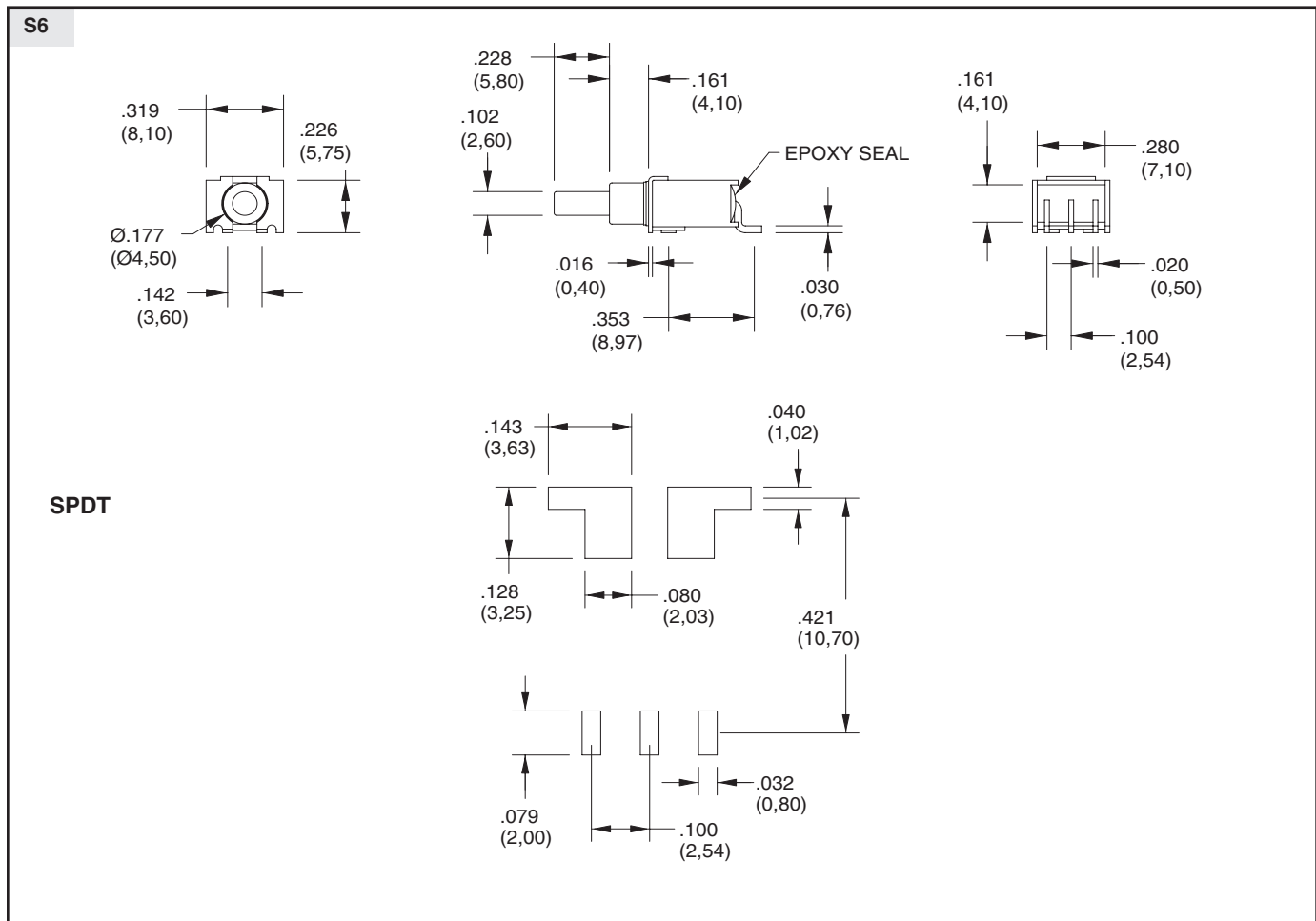
**S6**



**SPST**

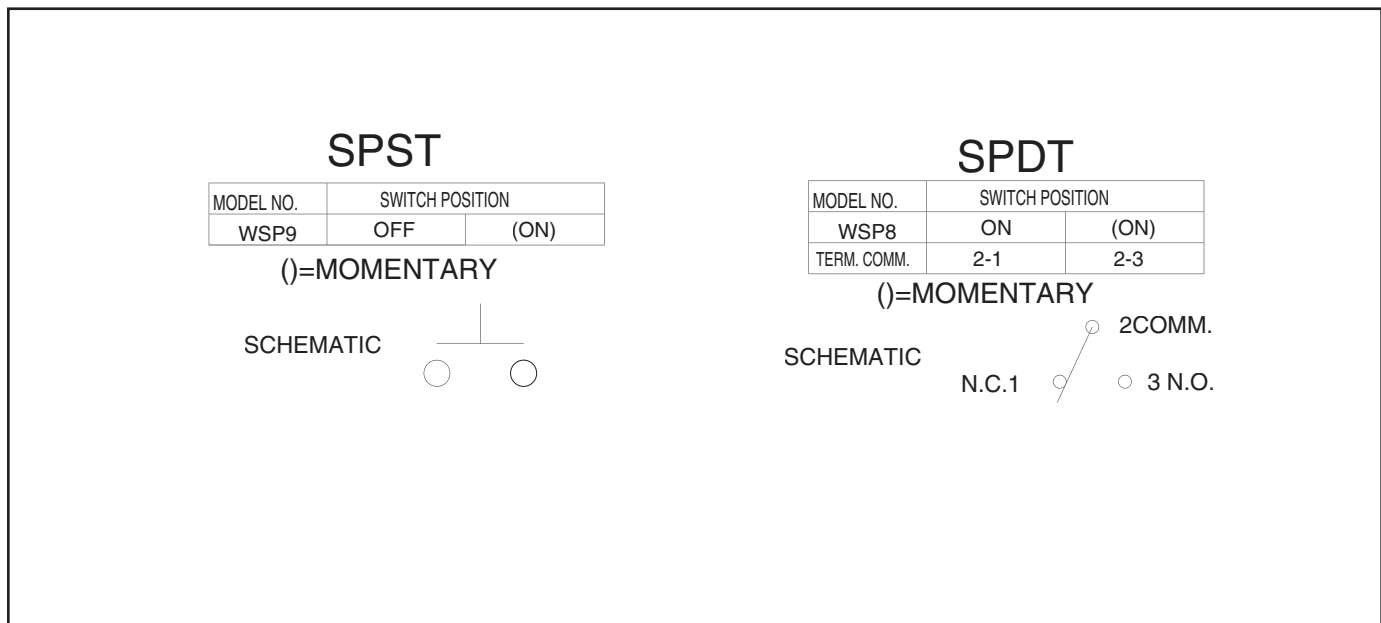


**DIMENSIONS** in inches (and millimeters)



Pushbutton Switches

**Circuitry**



## SERIES 38H

### SPECIFICATIONS

#### Rating Criteria

**Operating Life:** 30,000 make-and-break cycles at full load

#### Contact Rating (resistive load):

R Option: 0.4 VA maximum at 20 Vac or Vdc maximum

Q & G Options: 1A max at 125 Vac or 28 Vdc

**Contact Resistance:** 20 milliohms max initial at 2-4 Vdc, 100 mA

**Insulation Resistance:** 1000 megaohms minimum

**Voltage Breakdown:** 1500 Vrms minimum at sea level

**Operating Temperature:** -30°C. to +85°C.

#### Materials and Finishes

**Case:** Glass Filled Nylon 4/6, UL94V-

**Plunger:** Thermoplastic Polyester(UL 94V-0) (with internal o-ring seal)

**Terminals:** Copper alloy

**Spring:** Plated Music Wire

**Contact System:** Copper alloy

**Switch Support:** Brass, tin-plated

### ORDERING INFORMATION

SERIES	MODEL NO.	TERMINATION	CONTACT	ROHS
<b>38H</b>	<b>WSP8</b>	<b>M7</b>	<b>R</b>	<b>T</b>
Sealed Surface Mount Subminiature Pushbutton Switches	Options: WSP8, WSP9 (see models for switching positions)	Options: M7, S6 (see termination options)	R = Copper alloy, gold plate over nickel plate.  G = Copper alloy, Gold plate over silver plate  Q = Copper alloy, Silver Plate	T = Lead Free and RoHS compliant

Pushbutton Switches

## X-ON Electronics

Largest Supplier of Electrical and Electronic Components

*Click to view similar products for [Pushbutton Switches](#) category:*

*Click to view products by [Grayhill](#) manufacturer:*

Other Similar products are found below :

[8940K2012](#) [LW1L-M1C10V-A](#) [LW1L-M1C70-A](#) [LW2L-A1C20M-GD](#) [LW2L-M1C20M-A](#) [60324L](#) [M22-D-R-GB0/K11](#) [M7E-HRN2](#)  
[67021K512](#) [67081K512X](#) [701PB580](#) [7199K101](#) [810K12910](#) [810KSV30B](#) [MML21EA2ADK](#) [MML21KA3ABK](#) [MML23KA3AC05K-001](#)  
[MML23KW3AA01W](#) [8418K2](#) [8442K3](#) [8450K1](#) [860K11911T01A](#) [861901](#) [861K11911T01A07](#) [861K13810T00A14](#) [861K13911](#)  
[8646AB6X718UL](#) [8646ABUL](#) [9001KXRK](#) [907AYY100](#) [PMHD155A1](#) [9533CD4+U574+U4922](#) [95-414.000](#) [99-450.837](#) [99-453.837](#)  
[PV3H2B0NN-341](#) [1203MRA](#) [A22NZBGANGA](#) [A22NZBNANGA](#) [A22NZMPATRA](#) [A2PMA1X03EC56](#) [A3A-5123-02](#) [A3A-7140](#) [A3A-7310](#) [A3A-7340](#) [A3U-TMW-A2C-5M](#) [A595](#) [12037A2ULCSA](#) [ABD122N-B](#) [1211390004](#)