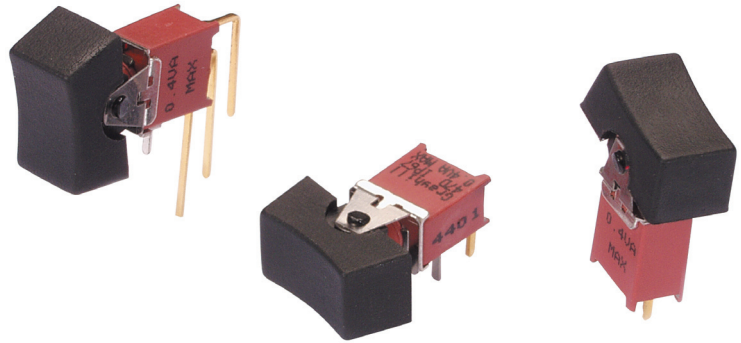


SERIES 47D
Sealed Sub-Miniature Rocker Switches

FEATURES

- Save Space and Weight
- SPDT and DPDT Circuitry
- Choice of Actuators and Terminations
- Sealed per IP-67

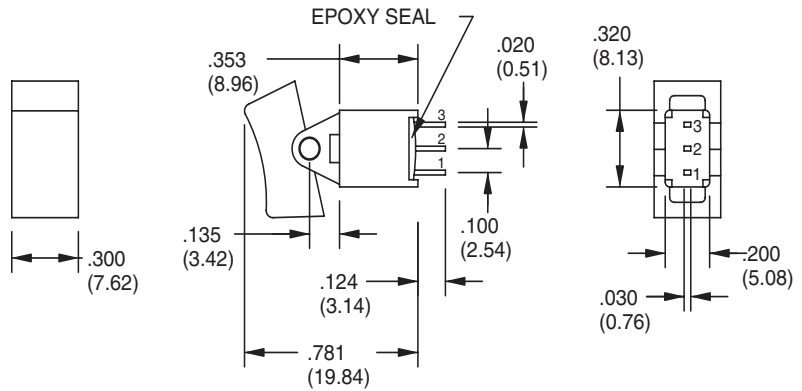


MODELS in inches (and millimeters)

SPDT

MODEL NO.	SWITCH POSITION		
WMSP1	ON	NONE	ON
WMSP2	ON	NONE	(ON)
WMSP3	ON	OFF	ON
WMSP4	(ON)	OFF	(ON)
WMSP5	ON	OFF	(ON)
TERM. COMM.	2-3	OPEN	2-1

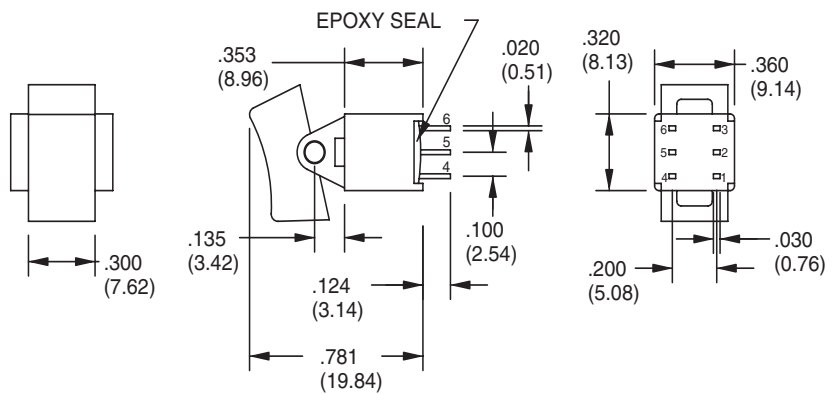
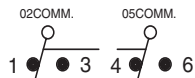
()=MOMENTARY



DPDT

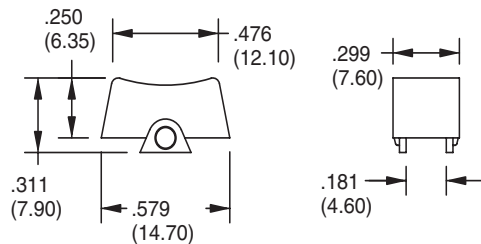
MODEL NO.	SWITCH POSITION		
WMDP1	ON	NONE	ON
WMDP2	ON	NONE	(ON)
WMDP3	ON	OFF	ON
WMDP4	(ON)	OFF	(ON)
WMDP5	ON	OFF	(ON)
TERM. COMM.	2-3,5-6	OPEN	2-1,5-4

()=MOMENTARY

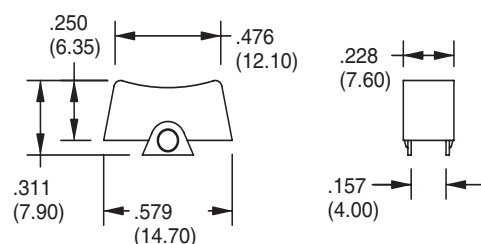


ACTUATOR OPTIONS in inches (and millimeters)

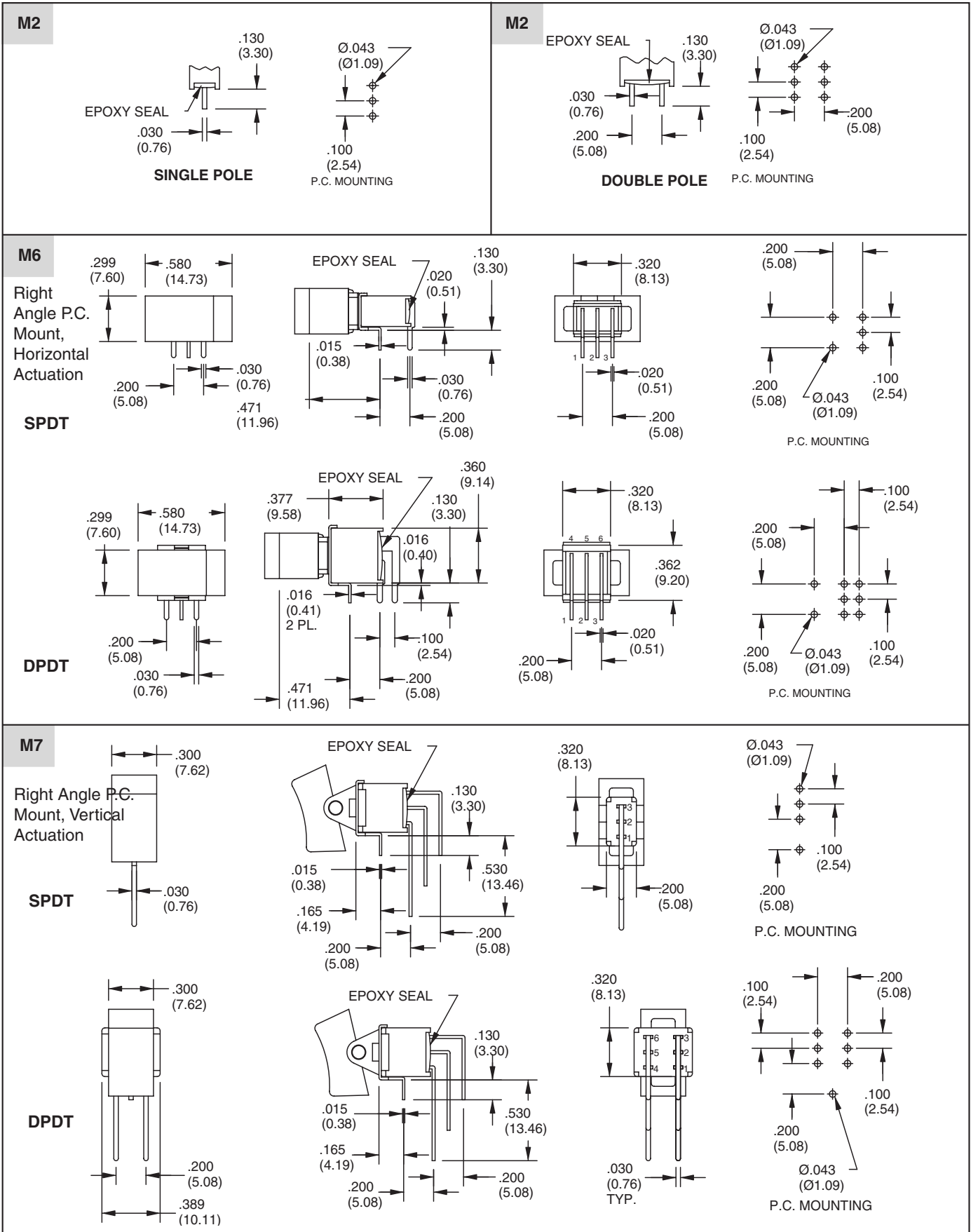
R1



R2

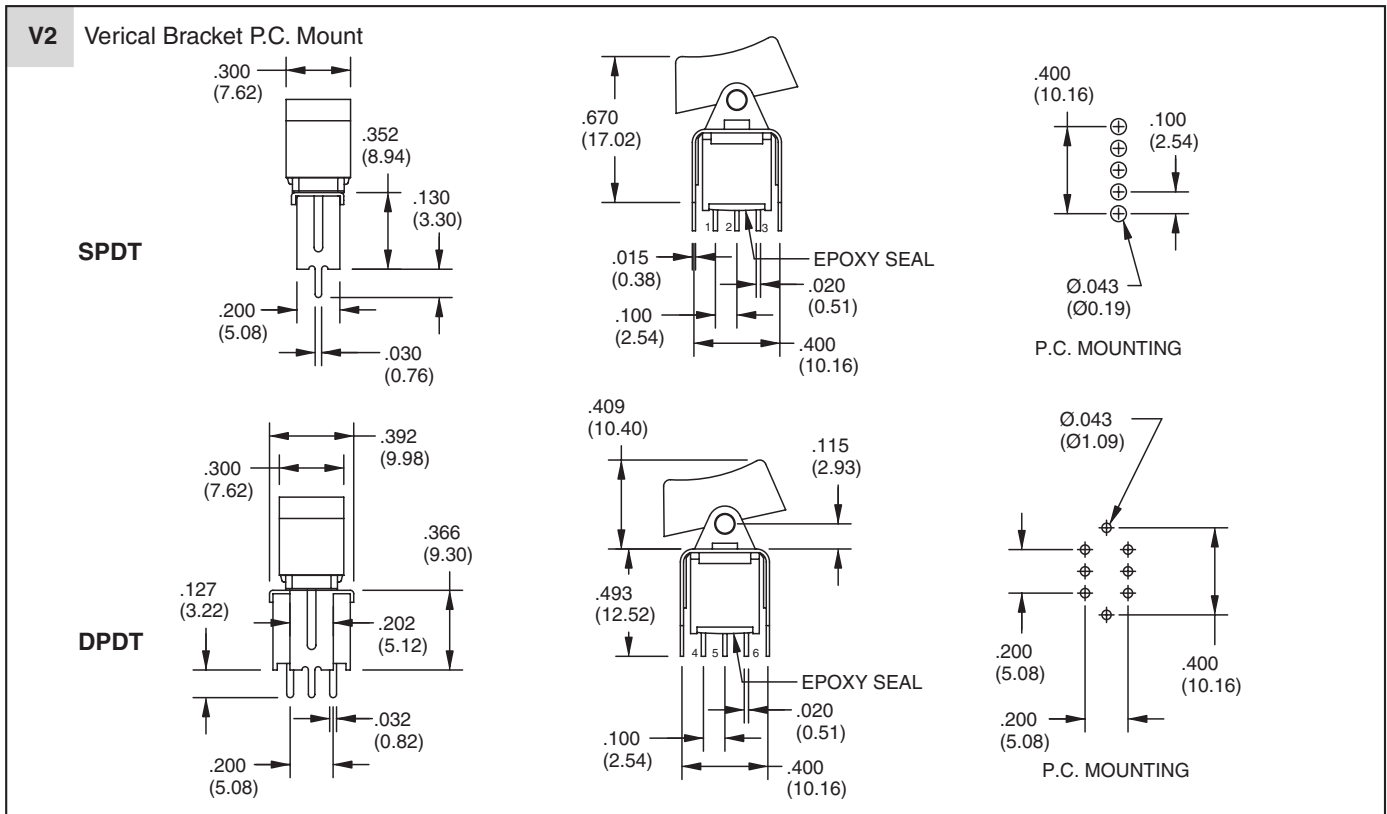


TERMINATION OPTIONS in inches (and millimeters)



Rocker and Paddle Switches

TERMINATION OPTIONS in inches (and millimeters)



SPECIFICATIONS

RATINGS

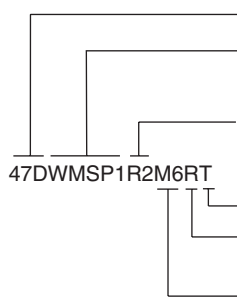
Contact Rating: Q option - 3A with resistive load @ 125 VAC or 28 VDC; 1.5A with resistive load @ 250 VAC. R option - 0.4 VA max @ 20 Vmax (AC or DC)
Electrical Life: 30,000 make-and-break cycles at full load

Contact Resistance: 20 milliohms max. initial @ 2-4 VDC, 100 mA
Insulation Resistance: 1,000 megaohms minimum
Dielectric Resistance: 1,500 V RMS @ sea level
Operating Temperature: -30°C to 85°C

MATERIALS

Case and Bushings: Glass-filled nylon 6/6, flame retardant, heat stabilized (UL94V-0)
Actuator: Nylon, black standard. Internal o-ring seal standard with all actuators.
Switch Support: Brass, tin-plated
Terminal Seal: Epoxy
Terminal/Contacts: Copper alloy with gold plate or silver plate over nickel

ORDERING INFORMATION



Series 47D Sealed Sub-Miniature Rocker Switch
 Model: SPDT: WMSP1, WMSP2, WMSP3, WMSP4, WMSP5
 DPDT: WMDP1, WMDP2, WMDP3, WMDP4, WMDP5
 Actuator Options: R1, R2 (See Actuator options.)
 RoHS Compliant
 Contact: R= Copper alloy, gold plate over nickel plate
 Q = Copper alloy, gold plate over silver plate
 Termination Options: M2, M6, M7, V2 (See Termination options.)

Available from your local Grayhill Component Distributor.
 For prices and discounts, contact a local Sales Office, an authorized local Distributor or Grayhill.

X-ON Electronics

Largest Supplier of Electrical and Electronic Components

Click to view similar products for [Rocker Switches](#) category:

Click to view products by [Grayhill](#) manufacturer:

Other Similar products are found below :

[LTILA6E-1S-WH-RC-FN12VXCR1](#) [6-1571986-9](#) [8007K26N324V52](#) [8055K23Z7V](#) [8055K32Z7V](#) [8055K52Z7V](#) [8138K20E6M50](#) [84206L](#)
[84312LX](#) [PREDD5-07F-BB0GW](#) [999-16716-002](#) [999-16716-003](#) [999-16716-004](#) [A101J1V3Q004](#) [A101J2ZQ004](#) [A101J4ZQ004](#)
[A101J51CB0004](#) [A103J1ZQ004](#) [A201J1AQ004](#) [A201J3ZB004](#) [A201J50ZQ004](#) [A203J51ZQ0004](#) [A435S1YZQ](#) [H8500XBBBBL-A](#)
[H8653VBBG2577W](#) [HB130CHNWWNAAC](#) [R13112ABB-602W](#) [1251.0303](#) [AE205J60V3B004](#) [1352.0107](#) [1571099-3](#) [1571987-4](#)
[1571987-5](#) [1571989-7](#) [1571988-5](#) [B123J77V7B2](#) [B226J50W4Q22P](#) [B433J37ZQ22M](#) [160212E](#) [1634200-7](#) [1801.1164](#) [1839.1502](#) [PANEL-](#)
[PLUG-VHP-BLACK](#) [PANEL-PLUG-VHP-WT](#) [K1ABBSCADN](#) [KG312A2DXD246X](#) [250011E714](#) [2600HM11E](#) [2600R21E](#) [260413E](#)