

SERIES 61B 16, 24, or 32 Position, Optional Pushbutton

FEATURES

- Positions Screen Cursor
- More Friendly than Keyboards
- Permits Visual Concentration
- Economic Touchscreen Alternative
- Pushbutton for Entry Function
- Detent for Tactile Feedback and Minimal Backlash
- Optical Coupled for Long Life
- Rugged Construction



APPLICATIONS

Display Input

The Series 61 rotary encoder switch can move cursor or icon on a display. Use the rotary and pushbutton switch to simply select a menu item and enter it, or write more elaborate display software. Use the Series 61 to input limit settings for a monitored function. Change an item on a checklist to a new value while viewing the remainder of the list.

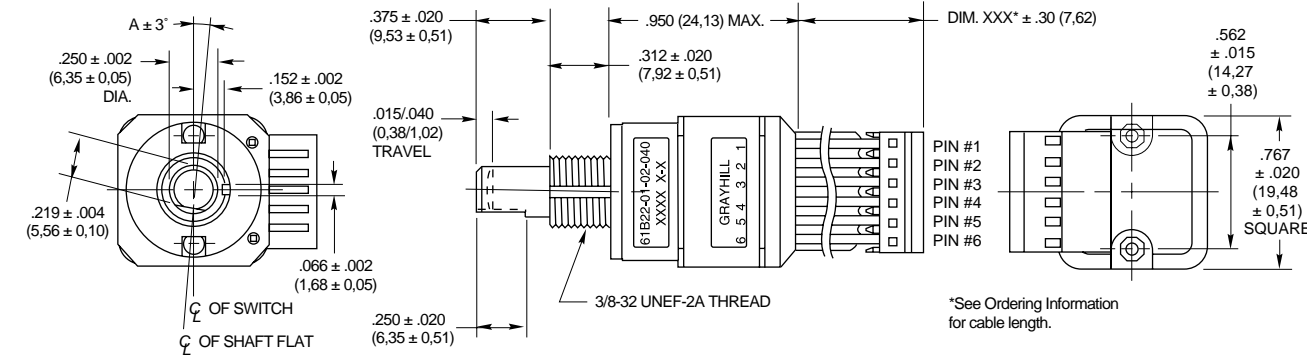
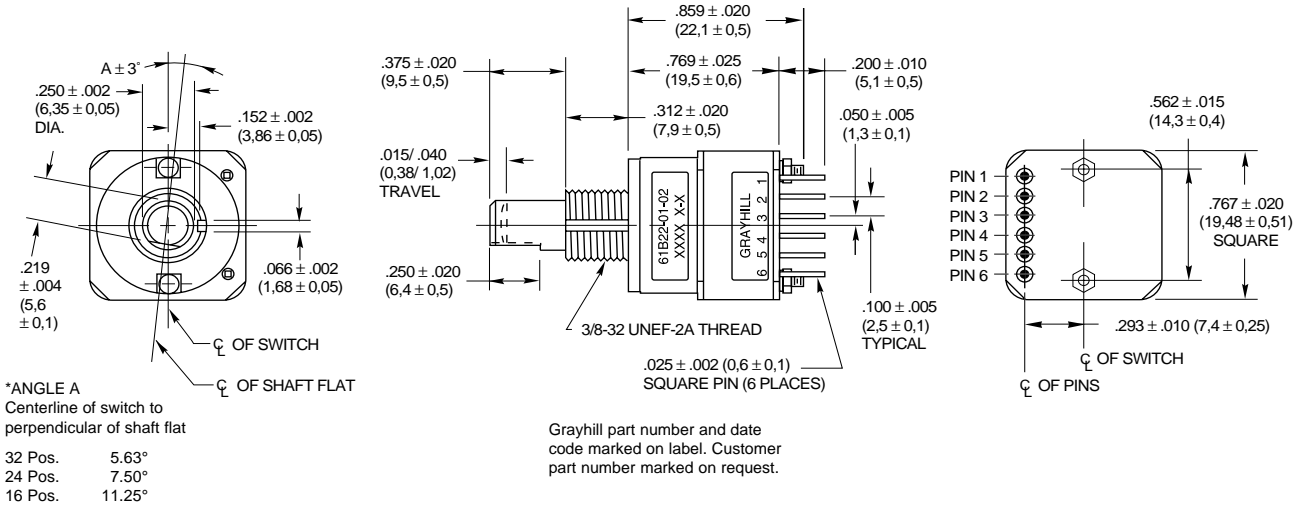
Incremental Input

Use the Series 61 with an interface chip to provide step by step input for setting radio frequency, drill depth, RPM, etc. These changes are usually a few steps, and you need not turn the switch several revolutions for the desired value. Some examples are as follows:

- Robot Position
- Volume Setting
- Radio Tuning
- Limit Setting
- Motor Control

DIMENSIONS In inches (and millimeters)

Diagram illustrates a 16-position switch with integral pushbutton switch.



Unless otherwise indicated, tolerances are $\pm .010$ (0,25).

SPECIFICATIONS

Pushbutton Switch Ratings

Rating: 5 Vdc, 10 mA, Resistive
Contact Resistance: less than 10 (TTL or CMOS Compatible)
Voltage Breakdown: 250 Vac between mutually insulated parts.
Contact Bounce: Less than 4 milliseconds at make and less than 10 milliseconds at break
Actuation Life: 3,000,000 operations
Actuation Force: Maximum actuation force of 615 grams and a minimum actuation force of 415 grams.

Encoder Ratings

Coding: 2-bit quadrature coded output
Operating Voltage: 5 ±.25 Vdc
Supply Current: 30 mA maximum at 5 Vdc
Logic High: 3.8V minimum
Logic Low: 0.8V maximum
Logic Rise and Fall Times: Rise Time less than 30 mS at 16.6 RPM. Fall Time less than 30 mS at 16.6 RPM.

Operating Torque: 2.0 ± .75 in-oz
Rotational Life: more than 1,000,000 cycles of operation (1 cycle = 360° rotation and return)
Shaft Push Out Force: 50 lbs minimum
Mounting Torque: 15 in-lbs maximum

Environmental Ratings

Operating Temperature Range: -40°C to 85°C
Storage Temperature Range: -55°C to 100°C
Vibration Resistance: Harmonic motion with amplitude of 15g, within a varied 10 to 2000 Hz frequency for 12 hours per MIL-STD-202, Method 204
Shock Resistance: Test 1: 100g for 6 mS half sine wave with velocity change of 12.3 ft/s. Test 2: 100g for 6 mS, sawtooth wave with velocity change of 9.7 ft/s.
Relative Humidity: 90–95% at 40°C for 96 hours

Materials and Finishes

Detent Cover: Thermosetting plastic
Bushing: Zinc casting, cadmium-plated per QQP-416, Class 2, Type II
Shaft: Reinforced thermoplastic *Note: Earlier versions may have electropolished stainless steel shafts (still available in customs only).*
Detent Balls: Passivated, stainless steel
Detent Spring: Tinned music wire
Printed Circuit Boards: NEMA Grade FR-4
Board Terminals: Copper alloy, CDA No. 725
Through Bolts: Stainless steel, unplated
Through Bolt Nuts: Stainless steel
Switch Assembly Cover and Code Rotor: PBT polyester thermoplastic
Mounting Hardware: One brass, cadmium-plated nut and lockwasher supplied with each switch. Nut is 0.094" thick by 0.562" across flats.
Strain Relief: PBT polyester thermoplastic (cable version only)
Cable: 26 AWG, stranded/tinned wire, PVC coated on .100 (2,54) centers (cable version only)

CIRCUITRY, TRUTH TABLE, AND WAVEFORM: Standard Quadrature 2-Bit Code

Clockwise Rotation		
Position	Output A	Output B
1		
2	●	
3	●	●
4		●

● Indicates logic high; blank indicates logic low. Code repeats every 4 positions.

*EXTERNAL PULL UP RESISTORS REQUIRED FOR OPERATION. 8.2 kΩ IS SUGGESTED FOR TTL; 3.3 kΩ IS SUGGESTED FOR CMOS

ORDERING INFORMATION

Series
Style: B = Standard, unsealed
Angle of Throw: 11 = 11.25° or 32 Positions
 15 = 15° or 24 Positions
 22 = 22.25° or 16 Positions
Coding: 01 = Quadrature
Pushbutton Option: 01 = Without pushbutton, 02 = With pushbutton

61B11-01-02-020

Termination: Blank (no dash or numbers) = pins as described in drawing
 Cable Termination 020 = 2.0 inches minimum to 250 = 25 inches maximum. Provided in increments of 1/2 inch. Example 035 = 3.5", 060 = 6 inches. Cable is terminated with standard Amp Connector 640442-6. Use any 6 position, .100 center header to mate with the cable assembly. Contact Grayhill

Custom shaft and bushing lengths, shaft/panel seal, and additional supply voltages are available through Grayhill only. Control knobs available, see page I-57.

Available from your local Grayhill Distributor. For prices and discounts, contact a local Sales Office, an authorized local Distributor or Grayhill.

ACCESSORIES

See page I-41.

X-ON Electronics

Largest Supplier of Electrical and Electronic Components

Click to view similar products for [Encoders](#) category:

Click to view products by [Grayhill](#) manufacturer:

Other Similar products are found below :

[6-1393048-0](#) [6-1393048-5](#) [62AG22-H5-P](#) [700-09-36](#) [1393047-3](#) [ECW1J-C36-SE0/077L](#) [2-1393047-2](#) [25LB22-G-Z](#) [T101-5C3-111-M1](#)
[385001M0439](#) [385001M0216](#) [V23401H1409B101](#) [V23401T8002B802](#) [V23401U6019B609](#) [62B11-LPP-040C](#) [62HS22-H0-040S](#) [700-16-16](#)
[700-24-24](#) [V23401D1001B102](#) [3-1393048-1](#) [288T220R161A2](#) [1-1879391-5](#) [GH65C11-N-SO](#) [1393047-1](#) [702-01-24](#) [703-20-00](#) [62V22-02-P](#)
[62D15-02-140S](#) [61K128-075](#) [EC21C1520402](#) [62AG18-L5-020C](#) [E6F-AG5C 720 2M](#) [62B22-SPP-030C](#) [60016-005](#) [31215-003](#) [01039-2677](#)
[ACZ11BR2E-20FD1-20CZ-0546](#) [DXM510-2000S002](#) [01002-2133](#) [01002-9375](#) [01002-9572](#) [01026-476](#) [01039-1102](#) [01039-1981](#) [01070-](#)
[1315](#) [01072-513](#) [01080-056](#) [01084-089](#) [01094-017](#) [01102-031](#)