



Optical Encoders

SERIES 61L
Full Quadrature Cycle Per Detent

FEATURES

- .650 sq. inch package size
- Optically coupled for 1 million rotational cycles
- Optional integrated pushbutton
- Detented and non-detented versions available
- Available in 24 positions

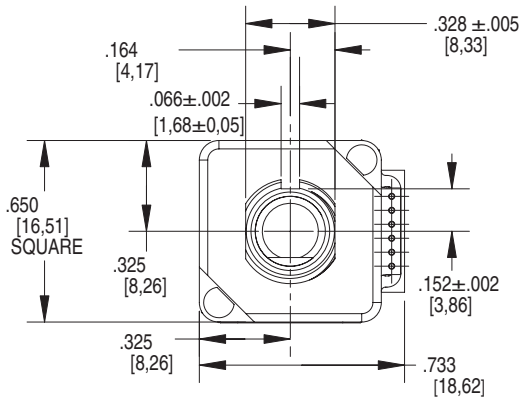
APPLICATIONS

- Medical Devices
- Test and Measurement Equipment
- Other Scroll and Select Applications

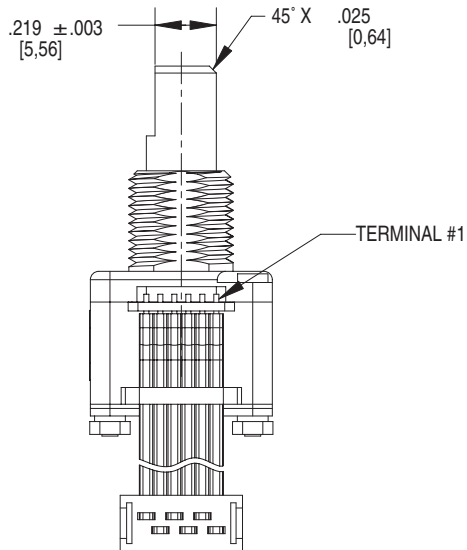
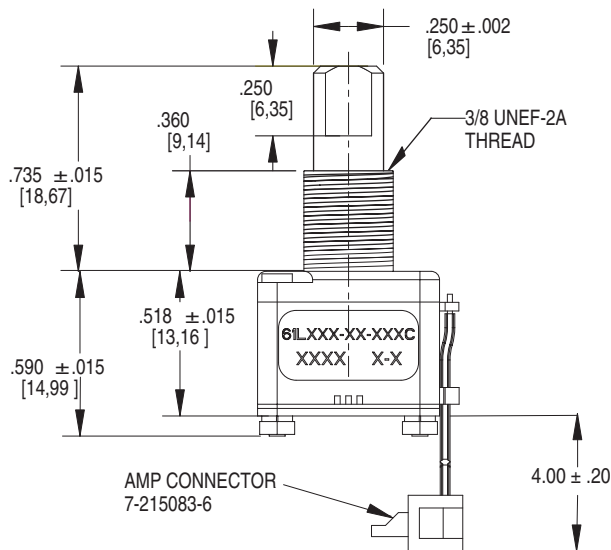
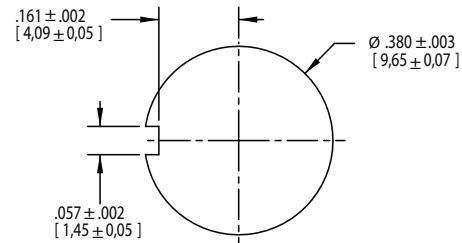


DIMENSIONS in inches (and millimeters)

Unless otherwise specified, standard tolerances are:
 Linear $\pm .025$
 Diameter $\pm .010$
 Angle $\pm 2.0^\circ$

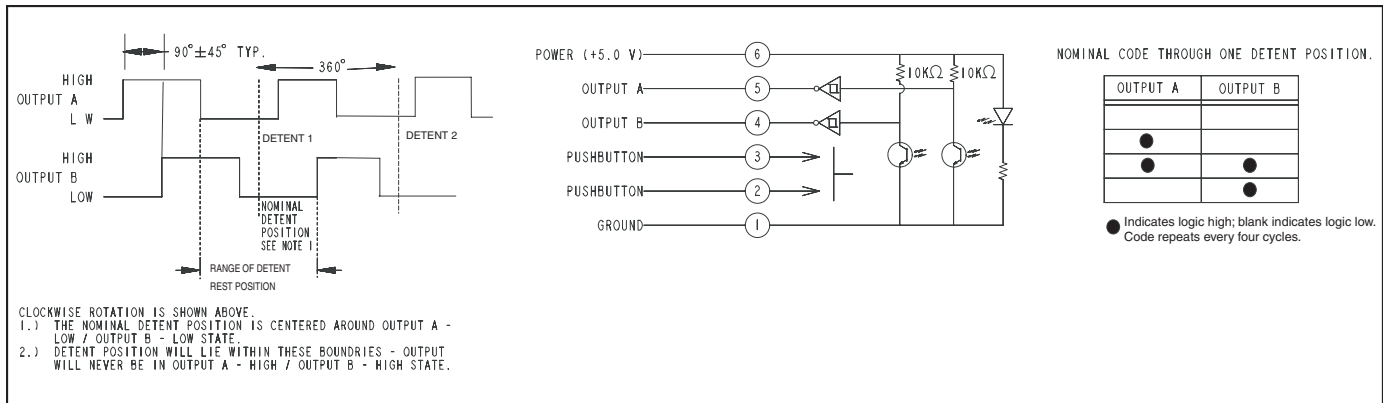


Suggested Mounting Panel Cutout



Optical and Mechanical Encoders

CIRCUITRY, WAVEFORM AND TRUTH TABLE



SPECIFICATIONS

Environmental Specifications

Operating Temperature Range: -40°C to 85°C

Storage Temperature Range: -55°C to 100°C

Humidity: 96 hours at 90-95% humidity at 40°C

Mechanical Vibration: Harmonic motion with amplitude of 15g, within a varied frequency of 10 to 2000 Hz

Mechanical Shock:

Test 1: 100g for 6 ms half-sine wave with a velocity change of 12.3 ft/sec

Test 2: 100g for 6 ms sawtooth wave with a velocity change of 9.7 ft/sec

Rotary Electrical and

Mechanical Specifications

Operating Voltage: 5.00±.25Vdc

Supply Current: 30 mA maximum at 5Vdc

Output Code: Two-bit quadrature, channel A leads channel B by 90° electrically during clockwise rotation of the shaft.

Logic Output Characteristics:

Logic high signal shall be no less than 3.8 Vdc

Logic low signal shall be no greater than 0.8 Vdc

Minimum Sink Current: 2.0 mA

Power Consumption: 150 mW maximum

Mechanical Life: 1 million cycles of operation for Medium, Low and Non-Detent. 1/2 million cycles of operation for High. One cycle is a rotation through all positions and a full return.

Average Rotational Torque: H= 6.0 ± 2.6

in-oz, M= 2.7 ± 1.8 in-oz, L= 1.4 ± 0.8 in-oz, N= <0.5 in-oz. Torque shall be within 50% of initial value throughout life.

Mounting Torque: 15 in-oz maximum

Shaft Push-Out Force: 45 lbs minimum

Shaft Pull-Out Force: 45 lbs minimum

Terminal Strength: 15 lbs minimum terminal pull-out force for cable or header termination

Solderability: 95% free of pinholes and voids

Pushbutton Electrical and Mechanical Specifications

Rating: 50 mA at 12 Vdc

Contact Resistance: <10Ω

Life: 1/2 million actuations minimum

Contact Bounce: <4 ms make, <10 ms break

Actuation Force: 510 ±150 grams

Shaft Travel: .025 ± .015 inch

Materials and Finishes

Bushing: Zinc

Shaft: Aluminum

Cable: Copper Standard with Topcoat in PVC Insulation

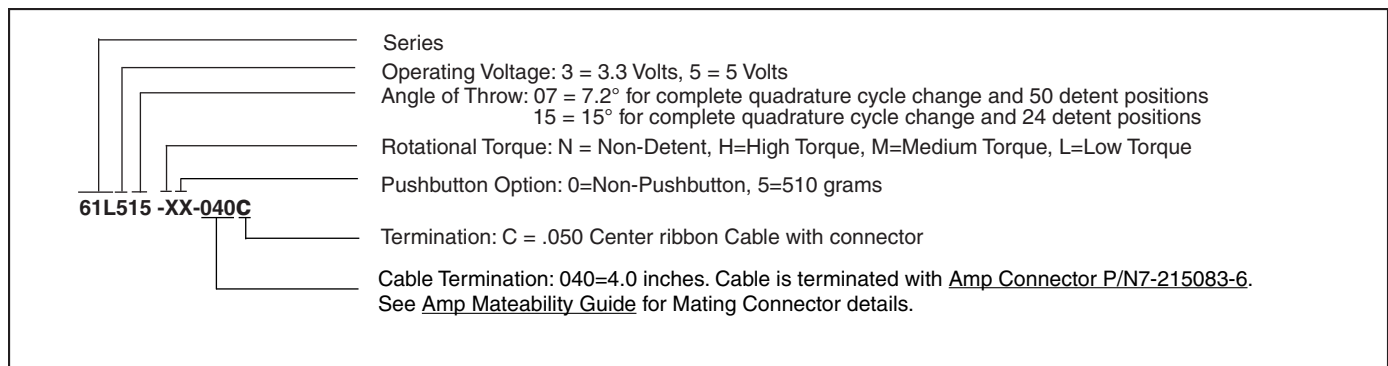
Connector: Glass filled Polyester, Tin/Nickel Phosphor Bronze

Solder: 96.5% tin / 3% silver / 0.5% copper, no clean

Lockwasher: Stainless Steel

Hex Nuts: Stainless Steel

This product series is ROHS Compliant.



X-ON Electronics

Largest Supplier of Electrical and Electronic Components

Click to view similar products for [Encoders](#) category:

Click to view products by [Grayhill](#) manufacturer:

Other Similar products are found below :

[6-1393048-0](#) [6-1393048-5](#) [62AG22-H5-P](#) [62B22-LP-030C](#) [63K25](#) [63K32](#) [63KS100](#) [63KS64](#) [63R100](#) [63R50-020](#) [63RS256-060](#) [700-09-36](#)
[RE12D300-201-1](#) [1393047-3](#) [2-1393047-2](#) [T101-5C2-111-M1](#) [T101-5C3-111-M1](#) [T101-5C4-111-M1](#) [385001M0439](#) [385001M0216](#)
[V23401H1409B101](#) [V23401T8002B802](#) [V23401U6019B609](#) [E69-1](#) [E69DF10](#) [E69-FCA](#) [62B11-LP-100S](#) [62B11-LPP-040C](#) [62N11-P](#)
[62S22-H9-120S](#) [62S30-L0-200C](#) [62V15-02-080S](#) [63K64](#) [63KS100-040](#) [63R64-050](#) [63RS64](#) [700-16-16](#) [V23401D3002B301](#)
[V23401D1001B102](#) [3-1393048-1](#) [63KS128](#) [63KS256](#) [1-1879391-5](#) [GH65C11-N-SO](#) [62S15-M0-P](#) [1393047-1](#) [E69-FCA02](#) [E69-FCA04](#)
[E69-DF20](#) [E69-DF2](#)