



Optical Encoders

SERIES 62F 1/2" Package, Lighted Shaft

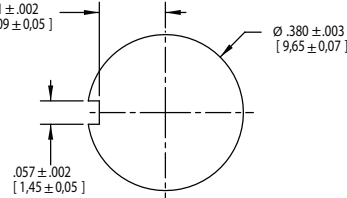
FEATURES

- Integrated Self-Lighting System for Knob Illumination
- 1 Million Rotational Cycles
- 1/2" Package
- Compatible with CMOS, TTL and HCMOS Logic
- Optional Integral Pushbutton
- Choices of Cable Length and Terminations
- Customized Solutions Available

APPLICATIONS

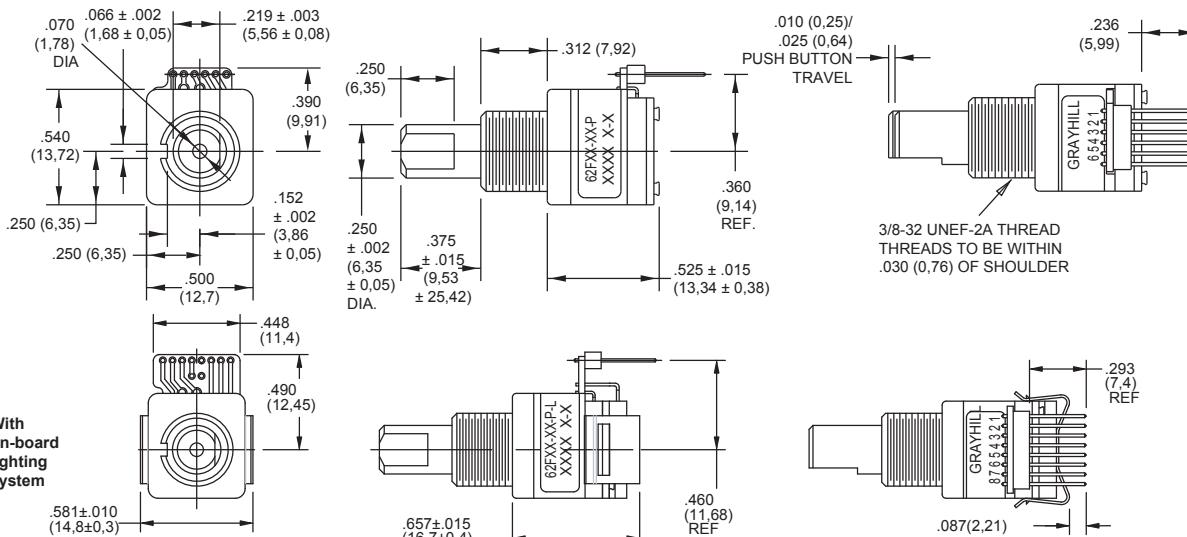
- Global Positioning
- Driver Information Systems
- Medical Equipment
- Cockpit Controls
- Mixing Boards

Suggested Mounting Panel Cutout

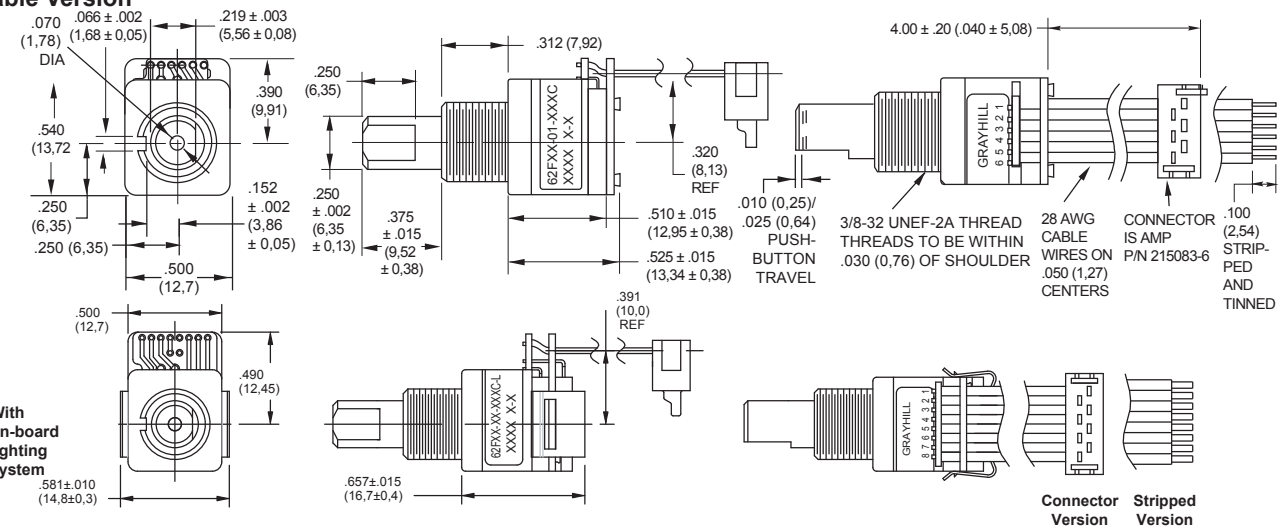


DIMENSIONS in inches (and millimeters)

Pin Version



Cable Version



Unless otherwise specified, standard tolerance is $\pm .010$ (0,25).

CIRCUITRY, TRUTH TABLE, AND WAVEFORM Standard Quadrature 2-Bit Code

Position	Output A	Output B
1		
2	•	
3	•	•
4		•

• Indicates logic high; blank indicates logic low. Code repeats every 4 positions.

SPECIFICATIONS

Pushbutton Switch Ratings

- Rating:** 5 Vdc, 10 mA, resistive
- Contact Resistance:** less than 10 ohms (TTL or CMOS compatible)
- Pushbutton Life:** 3 million actuations minimum
- Contact Bounce:** less than 4 mS at make and less than 10 mS at break
- Actuation Force:** 1000 ± 300 grams
- Pushbutton Travel:** .010/.025 inch

Switch Ratings

- Coding:** 2-bit quadrature coded output
- Operating Voltage:** 5.0 ± .25 Vdc
- Voltage Breakdown:** 250 Vac between mutually insulated parts
- Supply Current:** 30 mA maximum
- Logic Output Characteristics:**
 - Logic High:** 3.8 Vdc minimum
 - Logic Low:** 0.8 Vdc maximum
- Rotational Life:** 1,000,000 cycles minimum (One cycle is a rotation through all positions and a full return)
- Minimum Sink Current:** 2.0 mA
- Power Consumption:** 150mW maximum
- Optical Rise and Fall Times:** less than 30 mS maximum

Operating Torque:

- Detent: 2.0 ± 1.4 in-oz initially
- Non-detent: less than 1.5 in-oz initially
- Shaft Push Out Force:** 45 lbs minimum
- Mounting Torque:** 15 in-lbs maximum
- Terminal Strength:** 15 lbs cable pull-out force minimum
- Operating Speed:** 100 RPM maximum
- Axial Shaft Play:** .010 maximum

Environmental Ratings

- Operating Temperature Range:** -40°C to 85°C
- Storage Temperature Range:** -55°C to 100°C
- Relative Humidity:** 90–95% at 40°C for 96 hours
- Vibration Resistance:** Harmonic motion with amplitude of 15G's, within a varied 10 to 2000 Hz frequency for 12 hours per MIL-STD-202, Method 204
- Mechanical Shock:** Test 1: 100G for 6 mS, half sine, 12.3 ft/s; Test 2: 100G for 6 mS, sawtooth, 9.7 ft/s

Materials and Finishes

- Code Housing:** Reinforced thermoplastic

Shaft: Aluminum

Bushing: Zinc casting

Shaft Retaining Ring: Stainless steel

Detent Spring: Stainless steel

Printed Circuit Boards: NEMA grade FR-4

gold over nickel or palladium

Terminals: Brass, tin-plated

Mounting Hardware: One brass, nickel-plated nut and zinc-plated spring steel with clear trivalent chromate finish lockwasher supplied with each switch. (Nut is 0.094 inches thick by 0.433 inches across flats)

Rotor: Thermoplastic

Code Housing: Thermoplastic

Pushbutton Dome: Stainless steel

Dome Retaining Disk: Thermoplastic

Pushbutton Housing: Thermoplastic

Phototransistor: Planar Silicon NPN

Pushbutton Contact: Brass, nickel-plated

Flex Cable: 28 AWG, stranded/top coated wire, PVC coated on .050 or .100" centers (cabled version)

Header Pins: Phosphor bronze, tin-plated

Spacer: ABS

Backplate/Strain Relief: Stainless steel

Light Pipe: Thermoplastic

LED Housing: Thermoplastic

ORDERING INFORMATION

62F22-01-040S-L

Series	Series	Non-detent
Angle of Throw: Detent	11 = 11.25° or 32 pos.	01 = 11.25° or 32 positions
	15 = 15° or 24 positions	05 = 15° or 24 positions
	18 = 18° or 20 pos.	08 = 18° or 20 positions
	22 = 22.5° or 16 positions	02 = 22.5° or 16 positions
Pushbutton Option:	01 = w/o pushbutton, 02 = with pushbutton	
LED:	blank = no LED, L = supplied with LED	
Termination:	S = Stripped cable; S-L = Stripped cable, LED; C = Connector; C-L = Connector, LED; P = Pin; P-L = Pin, LED	
Cable Termination:	040 = 4.0in. Cable is terminated with Amp P/N 215083-6. See Amp Mateability guide for mating connector details.	
	*Eliminate cable length if ordering pins. (Ex: 62A22-02-P)	

Custom materials, styles, colors, and markings are available. Control knobs available.

Available from your local Grayhill Component Distributor. For prices and discounts, contact a local Sales Office, an authorized local Distributor, or Grayhill.

X-ON Electronics

Largest Supplier of Electrical and Electronic Components

Click to view similar products for [Encoders](#) category:

Click to view products by [Grayhill](#) manufacturer:

Other Similar products are found below :

[6-1393048-0](#) [6-1393048-5](#) [62AG22-H5-P](#) [62B22-LP-030C](#) [63K25](#) [63K32](#) [63KS100](#) [63KS64](#) [63R100](#) [63R50-020](#) [63RS256-060](#) [700-09-36](#)
[RE12D300-201-1](#) [1393047-3](#) [2-1393047-2](#) [T101-5C2-111-M1](#) [T101-5C3-111-M1](#) [T101-5C4-111-M1](#) [385001M0439](#) [385001M0216](#)
[V23401H1409B101](#) [V23401T8002B802](#) [V23401U6019B609](#) [E69-1](#) [E69DF10](#) [E69-FCA](#) [62B11-LP-100S](#) [62B11-LPP-040C](#) [62N11-P](#)
[62S22-H9-120S](#) [62S30-L0-200C](#) [62V15-02-080S](#) [63K64](#) [63KS100-040](#) [63R64-050](#) [63RS64](#) [700-16-16](#) [V23401D3002B301](#)
[V23401D1001B102](#) [3-1393048-1](#) [63KS128](#) [63KS256](#) [1-1879391-5](#) [GH65C11-N-SO](#) [62S15-M0-P](#) [1393047-1](#) [E69-FCA02](#) [E69-FCA04](#)
[E69-DF20](#) [E69-DF2](#)