

SERIES 62SG Compact / Cost Effective

FEATURES

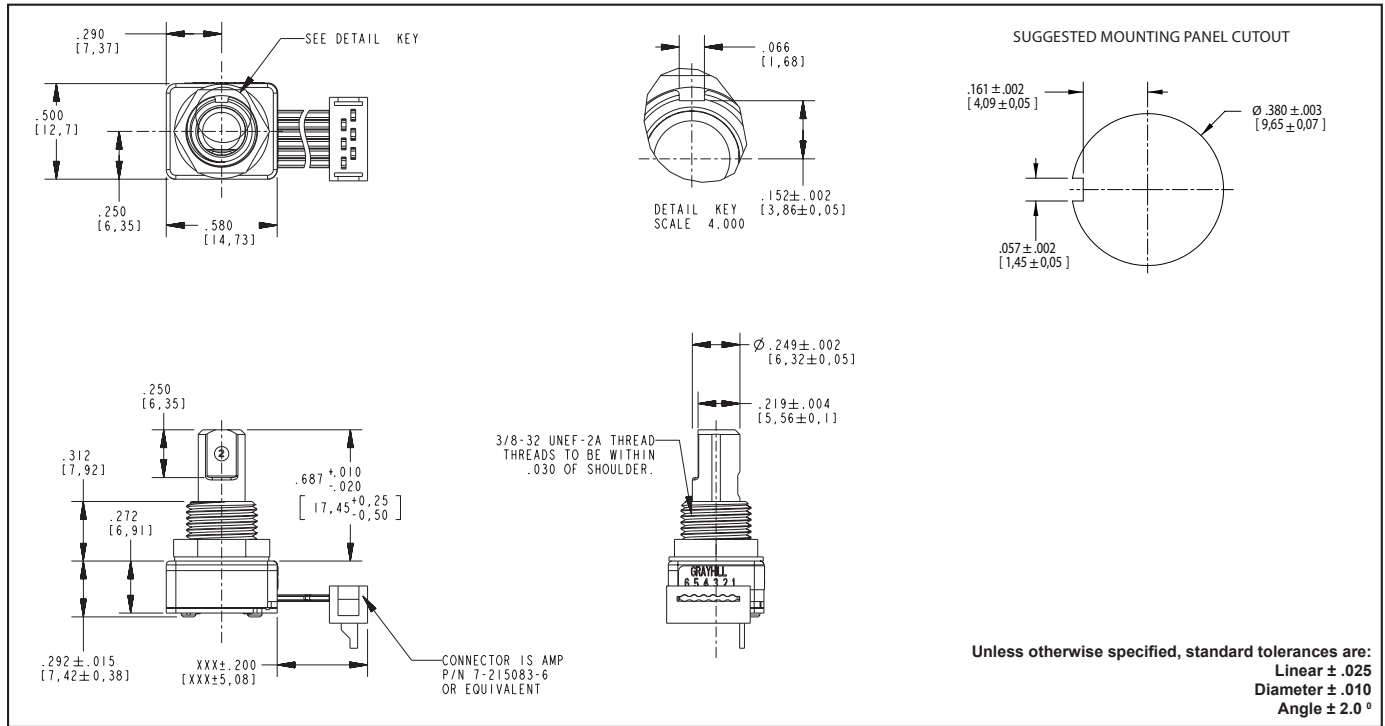
- Just 0.3-inch behind panel depth
- Over 1 million rotational cycles
- 2-bit gray code output
- Quadrature coding
- Available in 16, 24 and 32 detent positions
- Optional integrated pushbutton
- Light pipe technology
- Cost competitive with mechanical encoders at higher volumes

APPLICATIONS

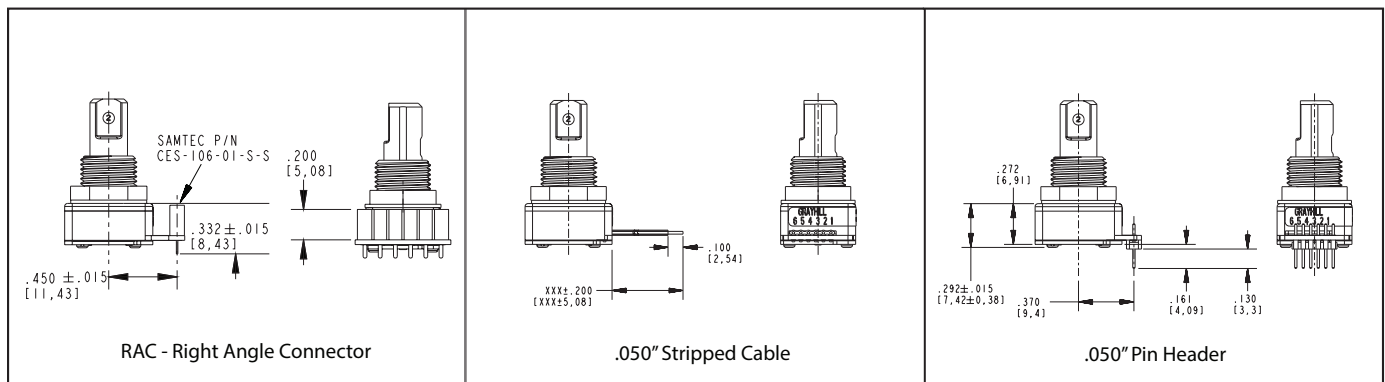
- Automotive
 - audio systems
 - navigation systems
- Medical
 - patient monitoring systems
- Test & Measurement
 - analyzers
 - oscilloscopes
- Audio & Video
 - consumer electronics
 - professional editing equipment



DIMENSIONS in inches (and millimeters)



OTHER TERMINATION OPTIONS



WAVEFORM AND TRUTH TABLE

WAVEFORM (CW ROTATION)

POSITION	OUTPUT A	OUTPUT B
1		
2	○	
3	○	○
4		○

BLANK = LOGIC LOW ○ = LOGIC HIGH
CODE REPEATS EVERY FOUR POSITIONS.

*EXTERNAL 10 kΩ PULL-UP RESISTORS REQUIRED FOR OPERATION
**NOISE FILTERING CAPACITOR, LESS THAN 1000 pF

SPECIFICATIONS

Environmental Specifications

- Operating Temperature:** -40°C to 85°C
- Storage Temperature:** -40°C to 85°C
- Humidity:** 96 hours@90-95% humidity@40°C
- Mechanical Vibration:** Harmonic motion with amplitude of 15g within a varied frequency of 10 to 2000 Hz for 12 hours
- Mechanical Shock:**
 - Test 1:** 100g for 6 ms half-sine wave with a velocity change of 12.3 ft/s.
 - Test 2:** 100g for 6 ms sawtooth wave with a velocity change of 9.7 ft/s.

- Mechanical Life:** 1,000,000 cycles of operation. 1 cycle is a rotation through all positions and a full return
- Mounting Torque:** 15in-lbs. maximum
- Shaft Pushout Force:** 45 lbs. minimum
- Terminal Strength:** 15 lbs. cable pull out force minimum
- Solderability:** 95% free of pin holes & voids

- Code Housing:** Nylon 6/6 25% glass reinforced. Zytel FR-50
- Light Pipe:** Lexan, GE
- Code Rotor:** Delrin 100
- Pushbutton Actuator:** Glass Reinforced nylon 6/6. Zytel 70G33L. UL 94
- Pushbutton Dome:** 301 Stainless Steel
- Printed Circuit Board:** NEMA Grade FR4, Double clad with copper, Plated with gold over nickel
- Infrared Emitting Diode:** Gallium Aluminum Arsenide
- Phototransistor Diode:** NPN Silicon
- Resistor:** Metal oxide on ceramic substrate
- Spacer:** Pet plastic
- Backplate:** 302 Stainless Steel
- Label:** TT406 thermal transfer cast film
- Solder:** 96.5% tin / 3% silver / 0.5% copper. No clean
- Hex Nut:** Brass, Plated with nickel
- Lockwasher:** Zinc Plated Spring Steel with Clear Trivalent Chromate Finish
- Cable:** Copper Stranded with topcoat in PVC insulation
- Connector (.050 center):** PA4.6 with tin/nickel plated phosphor bronze.

Rotary Electrical and Mechanical Specifications

- Operating Voltage:** 5.00 ± 0.25 Vdc
- Supply Current:** 30 mA maximum
- Logic Output Characteristics:**
 - Logic High:** V_{OH} = 3.0 Vdc MIN at V_{CC} = 4.75 Vdc with 10 kΩ PULL-UP RESISTOR
 - Logic Low:** V_{OL} = 1.0 Vdc MAX at V_{CC} = 5.25 Vdc with 10 kΩ PULL-UP RESISTOR
- Output:** Open Collector Phototransistor
- Optical Rise Time:** 30ms maximum
- Optical Fall Time:** 30ms maximum

Pushbutton Electrical and Mechanical Specifications

- Rating:** 30 mA @ 5 Vdc
- Contact Resistance:** <10 Ω (Compatible with CMOS or TTL)
- Life:** 1 million actuations minimum
- Contact Bounce:** <4 ms make, <10ms break
- Actuation Force:** 5 = 550 ± 200 grams
9 = 1050 ± 200 grams
- Shaft Travel:** .020 ± .008 inch

Materials and Finishes

- Bushing:** Zamak 2
- Shaft:** Zamak 2
- Detent Ball:** 302 Stainless Steel
- Detent Spring:** Music Wire
- Retaining Ring:** 301 Stainless Steel

	L	M	H
16-POSITION (±1.0 IN-OZ)	1.80	2.10	2.55
24-POSITION (±0.5 IN-OZ)	1.25	1.65	2.45
32-POSITION (±0.5 IN-OZ)	1.00	1.20	1.50

40% of initial value after 1 million cycles.

Optical and Mechanical Encoders

Series
Style: SG

Angle of Throw: 11 = 11.25° code change and 32 detent positions;
15 = 15° code change and 24 detent positions;
22 = 22.5° code change and 16 detent positions

Rotational Torque Option: L = Low Torque, M = Medium Torque, H = High Torque

Pushbutton Option: 0 = No pushbutton, 5 = 550 grams, 9 = 1050 grams

Termination:
C = .050 Center Ribbon Cable with connector, S = .050 Center Ribbon Cable with .100 stripped end,
P = .050 Center Pin, RAC = Right Angle Connector; .050" centers

Cable Length: 020 = 2.00" Cable, 040 = 4.00" Cable, 060 = 6.00" Cable, leave blank if pinned
*Eliminate cable length if ordering "P" or "RAC" termination option

*62SG15-L5-RAC available as standard P/N, for additional options, please contact Grayhill

		PUSHBUTTON		
		0 NONE	5 550 GRAMS	9 1050 GRAMS
ROTATIONAL TORQUE	L	L0	L5	L9
	M	M0	M5	M9
	H	H0	NOT AVAILABLE	H9

X-ON Electronics

Largest Supplier of Electrical and Electronic Components

Click to view similar products for [Encoders](#) category:

Click to view products by [Grayhill](#) manufacturer:

Other Similar products are found below :

[6-1393048-5](#) [62AG22-H5-P](#) [62B22-LP-030C](#) [62D22-02-P](#) [62R22-01-040S](#) [63K25](#) [63K32](#) [63KS100](#) [63KS64](#) [63R100](#) [63R50-020](#) [63RS256-060](#) [700-09-36](#) [E6C2-CWZ6C-10 500P/R 5M](#) [E6C3-CWZ5GH 1000P/R 2M](#) [25LB22-G-Z](#) [T101-5C2-111-M1](#) [T101-5C3-111-M1](#) [T101-5C4-111-M1](#) [25LB45-Q-Z](#) [HEDS-8905](#) [385001M0439](#) [385001M0216](#) [DPL12SV2424A25K3](#) [E69-1](#) [E69-DF15](#) [E69-FBA-02](#) [E69-FCA](#) [E6B2-CWZ1X 2000P/R 0.5M](#) [E6B2-CWZ3E 600P/R 0.5M](#) [E6C3-CWZ3EH 800P/R 2M](#) [ENA1D-472-L00050L](#) [61S64-2](#) [62B11-LP-100S](#) [62B11-LPP-P](#) [62C1111-02-020C](#) [62N11-P](#) [62S22-H9-120S](#) [62S30-L0-200C](#) [62V15-02-080S](#) [62V22-02-030C](#) [632911-128](#) [63K64](#) [63KS100-040](#) [63R64-050](#) [63RS256](#) [63RS64](#) [700-16-16](#) [3-1393048-1](#) [63KS128](#)