

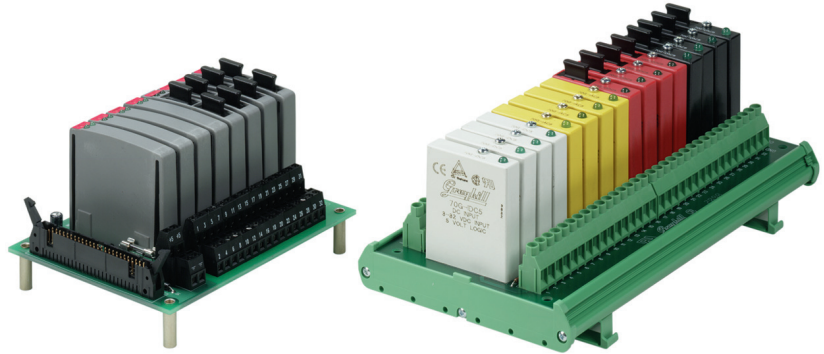


RACKS 16 Channel



FEATURES

- For use with System 50 Style Controllers
- Available for Standard, Miniature, G5 and OpenLine® Modules
- Panel and DIN Rail Mount Versions
- UL, CSA Certified
- Operating Temperature: -40°C to 100°C



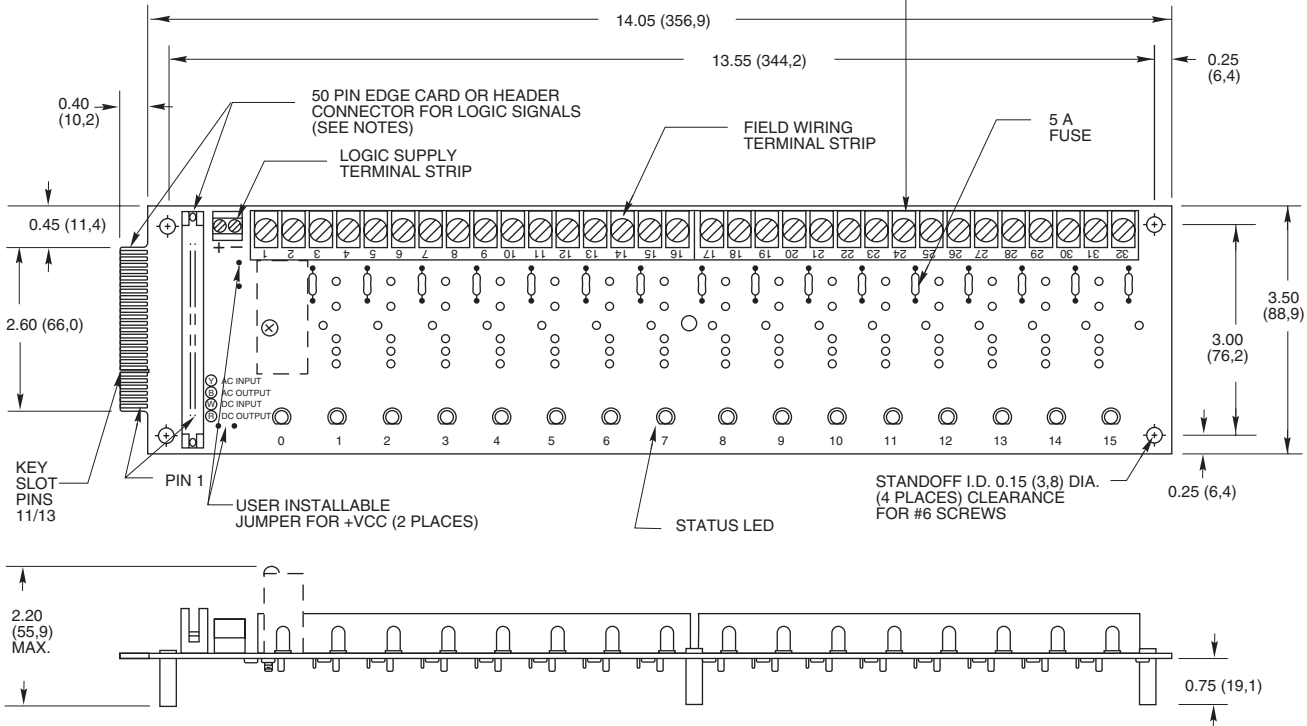
16 CHANNEL RACK: Standard

Part No. 70RCK16

Dimensions are shown in inches (and millimeters).

All tolerances are ± 0.010 (0,25) unless otherwise specified.

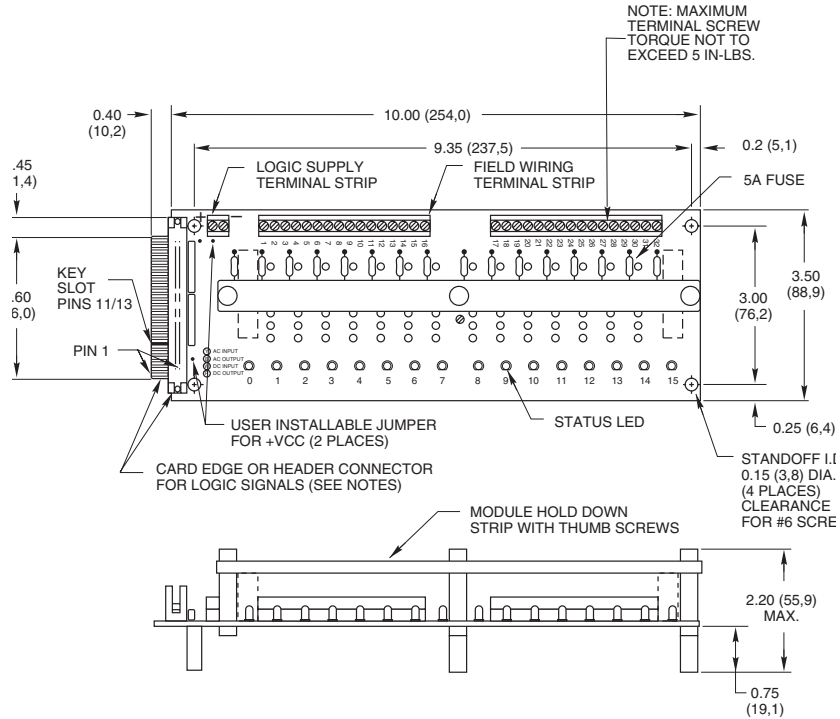
NOTE: MAXIMUM TERMINAL SCREW TORQUE NOT TO EXCEED 5 IN-LBS.



16 CHANNEL RACK: Miniature

Part No. 70MRCK16

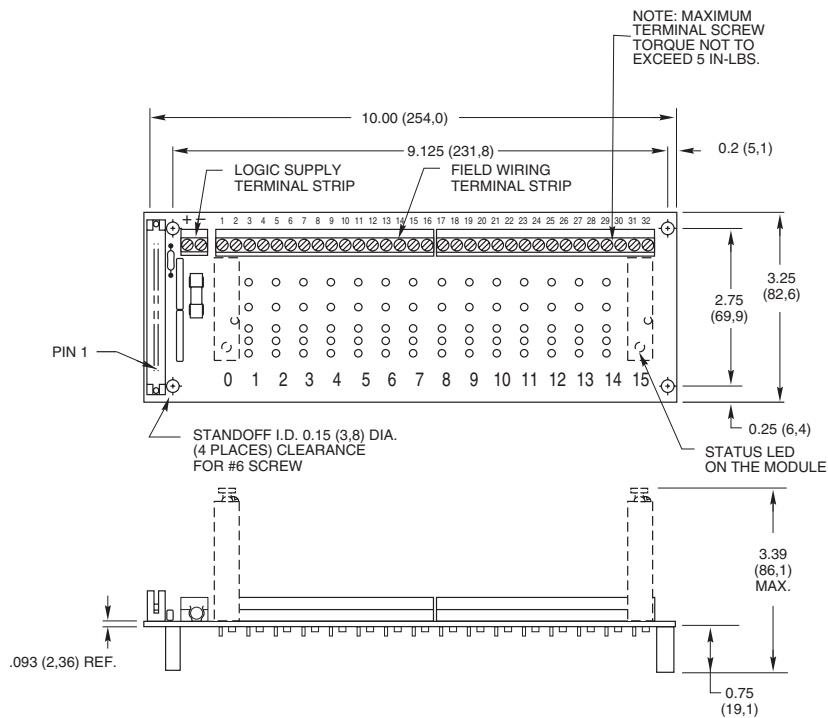
Dimensions are shown in inches (and millimeters).
All tolerances are ± 0.010 (0,25) unless otherwise specified.



16 CHANNEL RACK: G5

Part No. 70GRCK16

Dimensions are shown in inches (and millimeters).
All tolerances are ± 0.010 (0,25) unless otherwise specified.



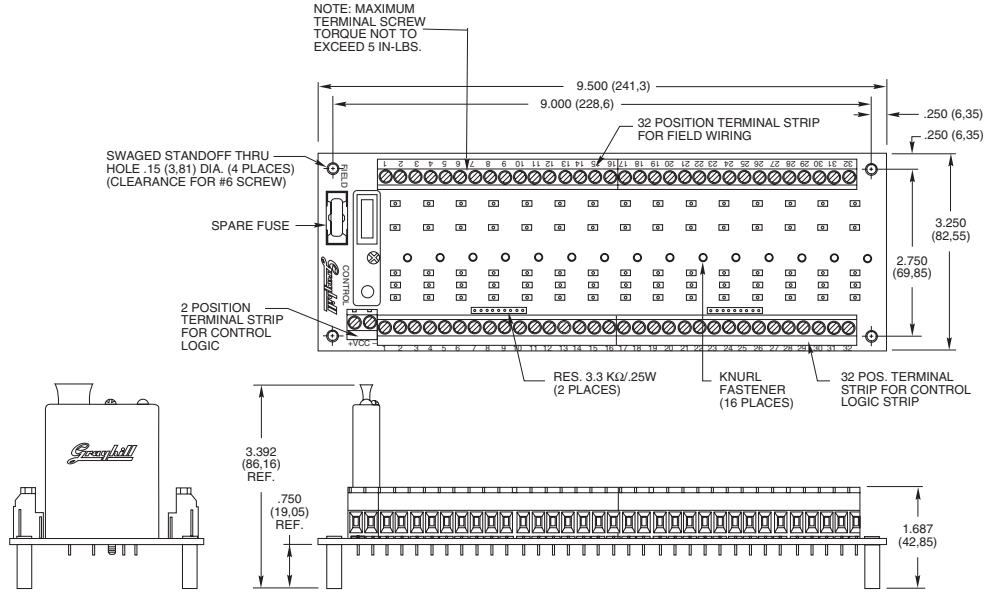


16 CHANNEL RACK: G5 Control and Field Connection Terminal Blocks

Part No. 70GRCK16T

Dimensions are shown in inches (and millimeters).

All tolerances are ± 0.010 (0,25) unless otherwise specified.

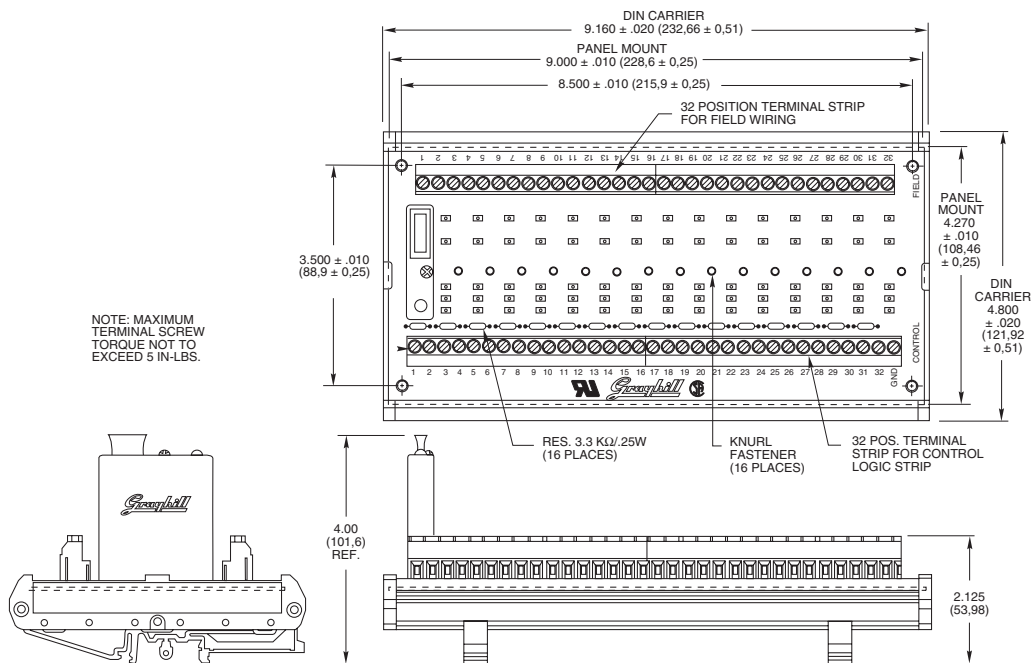


16 CHANNEL RACK: G5 Channel-to-Channel Isolation

Part No. 70GRCK16I and 70GRCK16I-DIN

Dimensions are shown in inches (and millimeters).

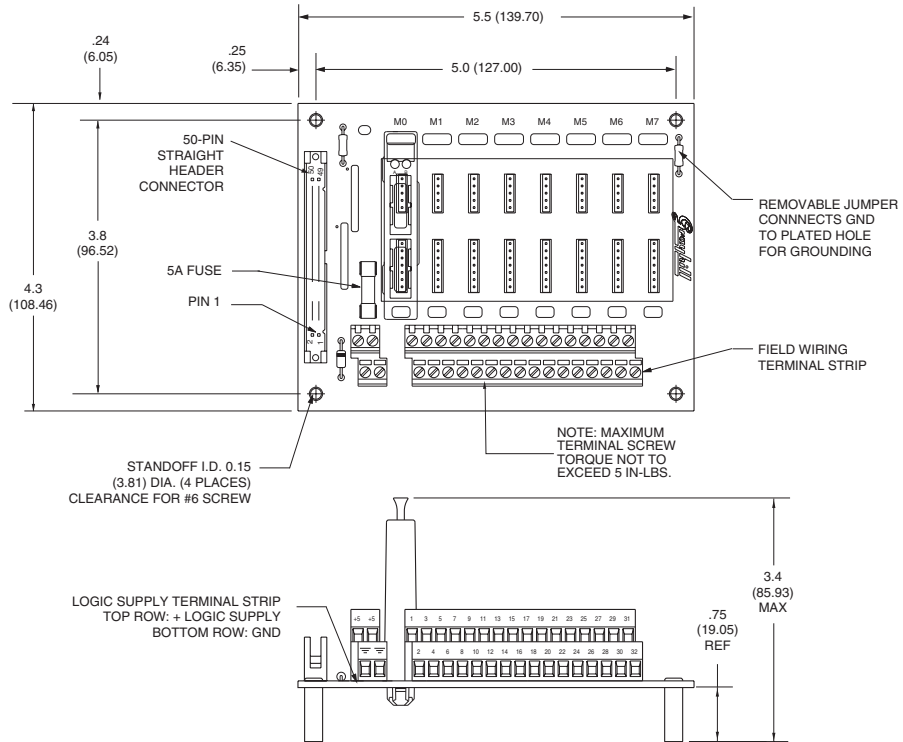
All tolerances are ± 0.010 (0,25) unless otherwise specified.



16 CHANNEL RACK: OpenLine® for System 50

Part No. 70LRCK16-HL

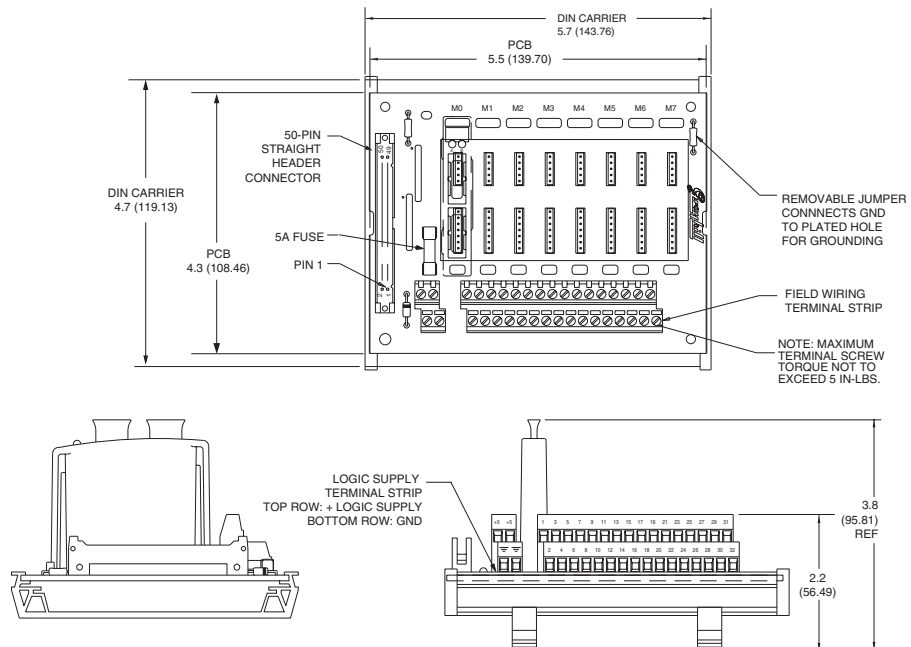
Dimensions are shown in inches (and millimeters).
All tolerances are ± 0.010 (0,25) unless otherwise specified.



16 CHANNEL RACK: OpenLine® w/ DIN Rail Mount for System 50

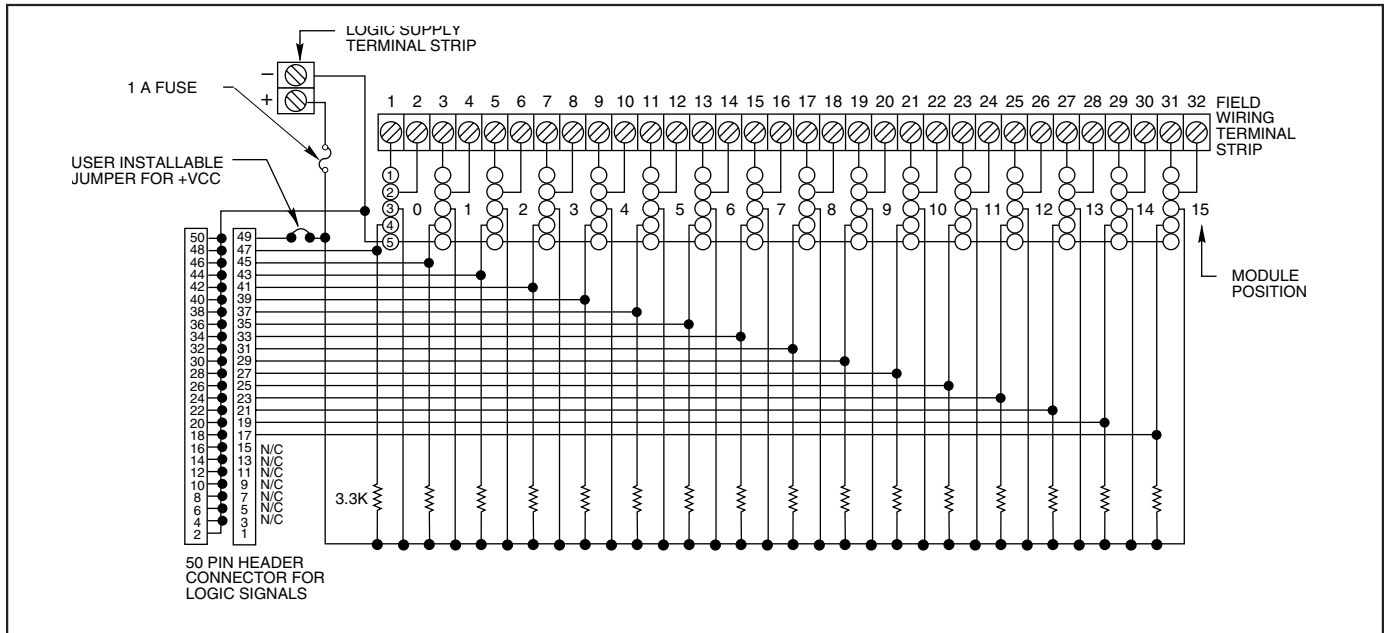
Part No. 70LRCK16-DIN

Dimensions are shown in inches (and millimeters).
All tolerances are ± 0.010 (0,25) unless otherwise specified.

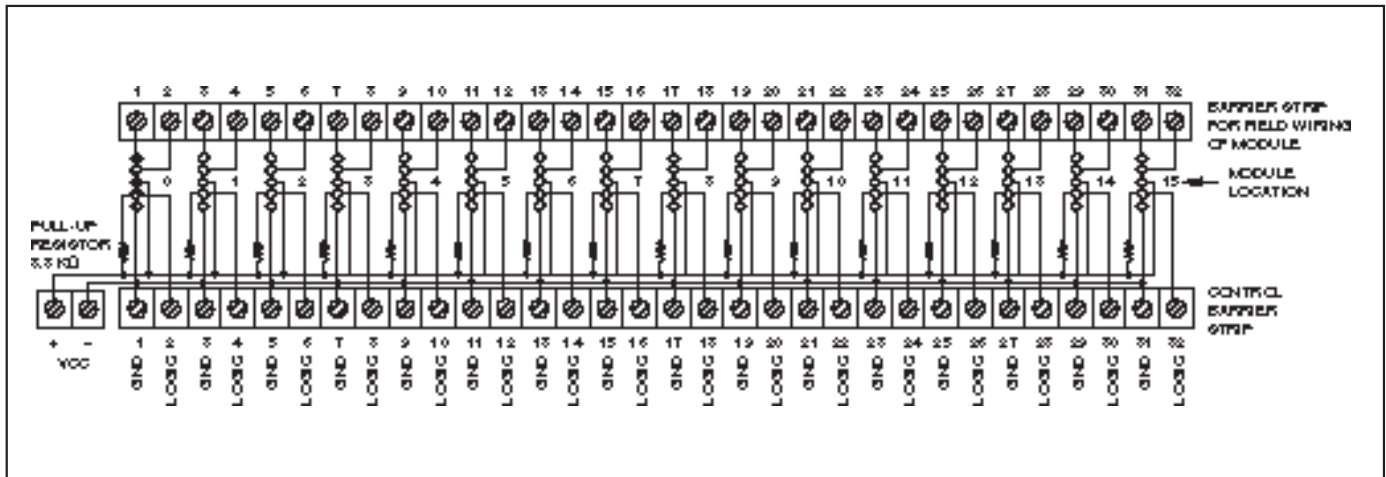




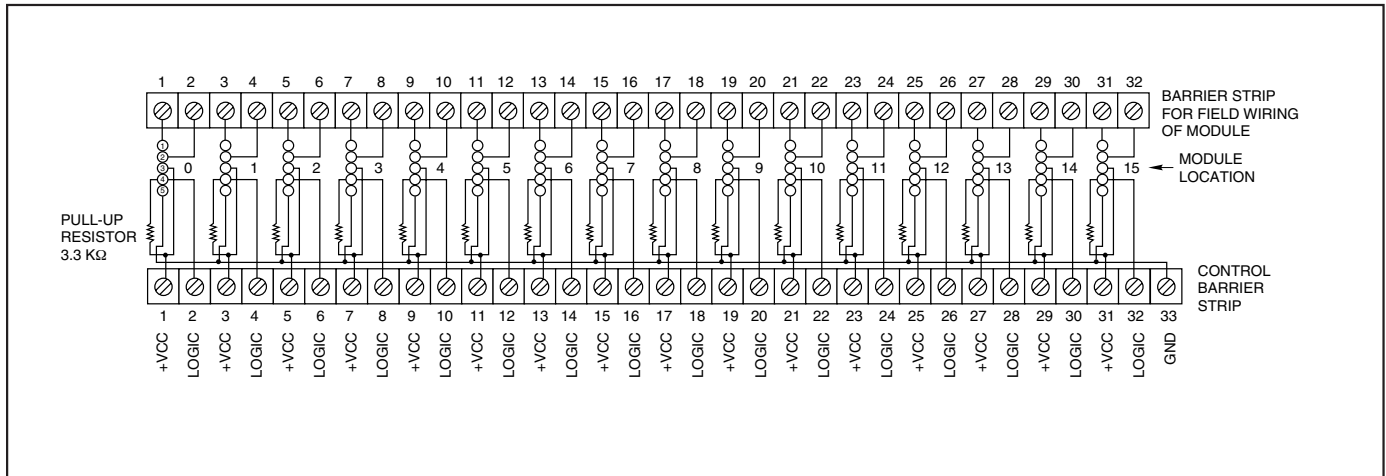
SCHEMATIC: Part No. 70GRCK16



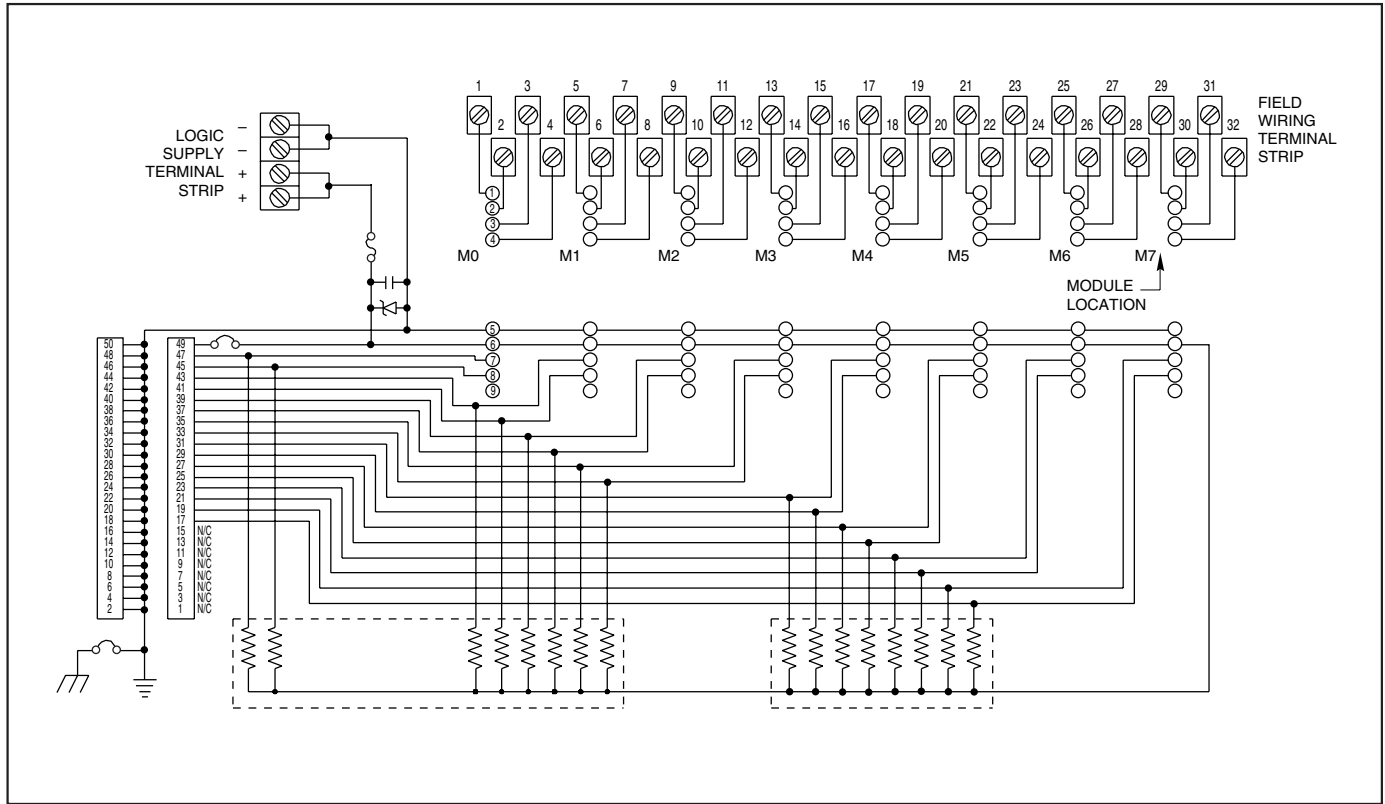
SCHEMATIC: Part No. 70GRCK16T



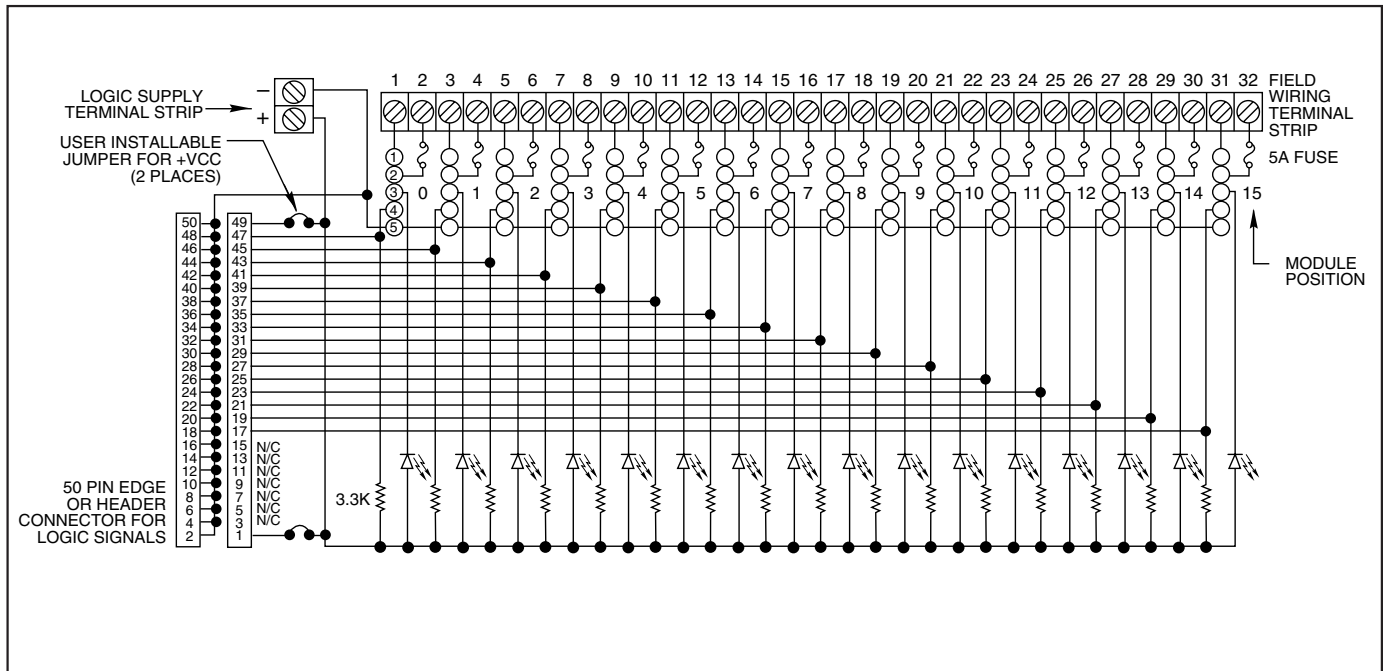
SCHEMATIC: Part Nos. 70GRCK16I AND 70GRCK16I-DIN



SCHEMATIC: Part No. 70LRCK16-HL, -DIN



SCHEMATIC: Part Nos. 70RCK16 and 70MRCK16



System 50



ORDERING INFORMATION (modules ordered separately)

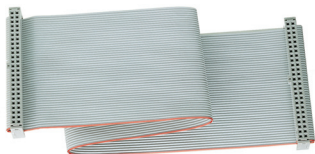
Part Number	I/O	Description	UL	CSA	Style
70RCK16	16	Card edge	X	X	Standard
70RCK16-HL	16	50-pin header with ejector levers	X	X	Standard
70MRCK16-EC	16	Card edge	X	X	Mini
70MRCK16-HL	16	50-pin header with ejector levers	X	X	Mini
70GRCK16-HL	16	50-pin header with ejector levers	X	X	G5
70LRCK16-HL	16	50-pin header with ejector levers	X	X	OpenLine®
70LRCK16-DIN	16	50-pin header with DIN rail mnt.	X	X	OpenLine®
70GRCK16I	16	Positive or negative true logic* –Panel Mount	X	X	G5
70GRCK16I-DIN	16	Positive or negative true logic* –DIN rail mount	X	X	G5
70GRCK16T	16	Negative true logic*–Panel Mount	X	X	G5

Available from your local Grayhill Distributor. For prices and discounts, contact a local Sales Office, an authorized local Distributor, or Grayhill.

* Positive true logic applies to output modules only.

ACCESSORIES

CABLE ASSEMBLIES



Several standard cable assemblies to connect controllers to our I/O module mounting racks may be ordered. The 72-CHH cable has a 50-pin header connector on each end to mate with those on mounting racks. The 72-CHE cable has a 50-pin header connector on one end and a 50-pin edge card connector on the other.

ORDERING INFORMATION

Part Number	Description
Cable Assemblies	
72-CHH-1	Ribbon cable assembly, header to header, 1 foot long
72-CHH-2	Ribbon cable assembly, header to header, 2 feet long
72-CHH-4	Ribbon cable assembly, header to header, 4 feet long
72-CHH-6	Ribbon cable assembly, header to header, 6 feet long
72-CHE-2	Ribbon cable assembly, header to edge card, 2 feet long
72-CHE-4	Ribbon cable assembly, header to edge card, 4 feet long
72-CHE-6	Ribbon cable assembly, header to edge card, 6 feet long

I/O Modules, Module Racks, and Accessories are available through Authorized Grayhill Industrial Distributors. For prices and discounts, contact your local sales office, an authorized Industrial Distributor, or Grayhill.

X-ON Electronics

Largest Supplier of Electrical and Electronic Components

Click to view similar products for [I/O Modules](#) category:

Click to view products by [Grayhill](#) manufacturer:

Other Similar products are found below :

[70L-IDC5S](#) [70L-OAC-L](#) [70Z3289-4](#) [G21960000700](#) [G21960002700](#) [G34960002700](#) [OACU](#) [C4SWOUT](#) [PB16H](#) [G34960001700](#) [G3TA-OA101SZ-1](#) [DC24](#) [G77-S](#) [5607189](#) [DA5](#) [ODC-24A](#) [IDC5P](#) [FC6A-N16B1](#) [6421](#) [FC6A-N32B3](#) [70MRCQ32-HL](#) [G3TAOD201SDC24](#) [C200H-LK201-V1](#) [G3TA-OA202SZ-US](#) [DC12](#) [GT1-OD16](#) [GT1-AD04CST](#) [B7AM-6BS](#) [70GRCQ24-HS](#) [6422](#) [84110410](#) [GT1-OD16MX](#) [G7VC-OC16-B7](#) [70MRCK24-DIN](#) [6202](#) [6402](#) [PI/NI-2D/24](#) [FC6A-J2C1](#) [FC6A-KC1C](#) [FC6A-R081](#) [FC6A-J8CU1](#) [GP32900003700](#) [641-480-5022](#) [PB16H](#) [84145010](#) [84110210](#) [FRUSB1601](#) [PCL-720+-BE](#) [FRRJ451601](#) [AP24MX3DB25F](#) [ADAM-5053S-AE](#) [WISE-S614-A](#)