



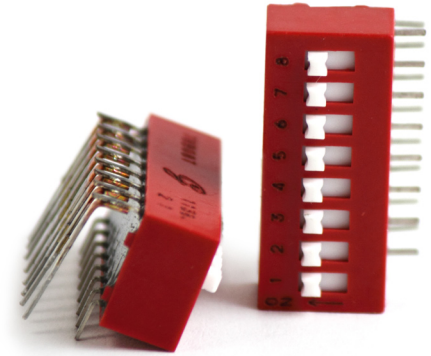
SERIES 78B Right Angle Option

FEATURES

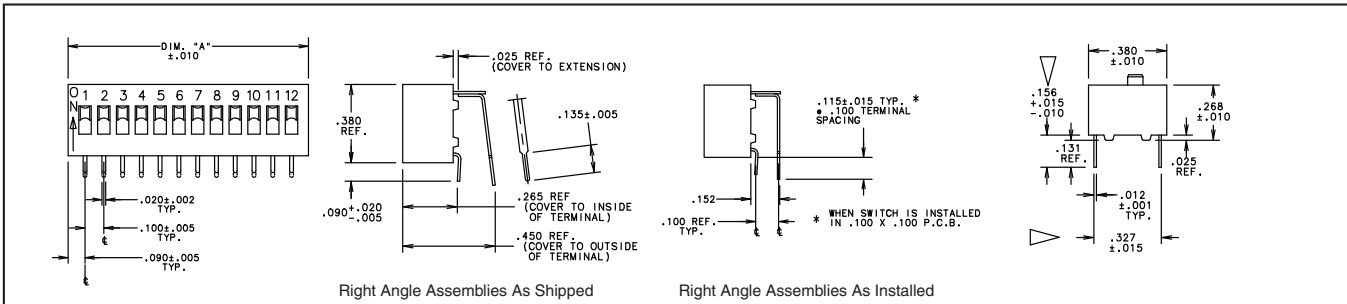
- Easy Access
- SPST Circuitry
- 2-10 and 12 positions available
- Sealed versions available

APPLICATIONS

Telecommunications, computers and peripherals, instruments and controls.



Series 78B DIMENSIONS in inches (and millimeters)



SPECIFICATIONS

Mechanical

Mechanical Life: 2,000 operations per switch.

Operation Temp: -40°C to + 85°C

Storage Temp: -55°C to + 85°C

Vibration Test: Per Method 204, Test Condition B, 1 mS opening (10 mS allowed)

Shock Test: MIL-STD-202F METHOD 213 Test Condition A, 1ms (10 allowed)

Electrical

Electrical Life: 10,000 operations per switch 24VDC, 25mA.

Non-Switching Rating: 100mA, 50VDC.

Switching rating: 150mA, 30VDC;

10mA, 50mVDC

Contact Resistance: 30mΩ max. at initial.

Insulation Resistance: (at 100VDC) 5,000MΩ min.

Dielectric Strength: 750VAC/1 minute.

Capacitance: 2pF max.

Soldering and Cleaning Process

Cleaning tape sealed products:

Passes immersion test using water/detergent. Acceptable solutions include 1-1-1 trichlorethane, freon, (TF, TE, or TMS), isopropyl alcohol, detergent (140°F maximum). Terpene acceptable for Series 90 only. Solutions which are not recommended include acetone, methylene chloride, freon TMC. Pressure wash cleaning processes are not recommended for tape seal switches.

Wave Soldering: Recommended solder temperature: 500°F (260°C) max 5 seconds.

Hand Soldering: Use a soldering iron of 30 Watts or less, controlled at 608°F (320°C) approximately 2 seconds while applying solder.

Cleaning: Tape sealed versions withstand cleaning processes.

Materials

Contact Ball: Brass with gold plating over nickel

Terminals: Brass with gold plating over nickel

Nonconductive Parts: Plastic UL94V-0

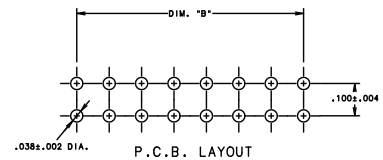
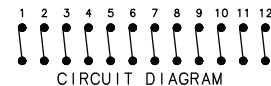
Potting Material: Epoxy

Shorting Member (Ball): Brass, gold-plated over nickel barrier.

Protective Cover: Polycarbonate.

Tape Seal: Polyester film

Tape Seal Integrity: Passes gross leak test using 125°C flourinert for 20 seconds minimum. Reference MIL-STD-202, Method 112.



ORDERING INFORMATION

Series 78B, 78F, 78G, 78H, 78J, 78K, 78RB Styles available as right angle

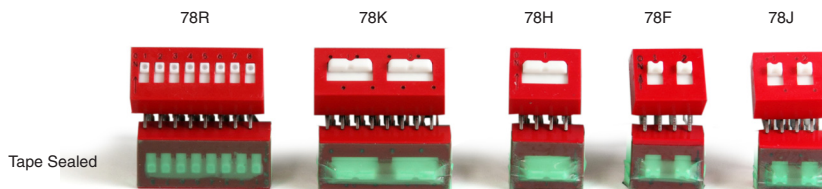
Number of Positions 2 through 12

RoHS compliant

78B08SRAT

Right Angle

S= Top Tape Sealed, Blank=Unsealed



X-ON Electronics

Largest Supplier of Electrical and Electronic Components

Click to view similar products for [DIP Switches/SIP Switches](#) category:

Click to view products by [Grayhill](#) manufacturer:

Other Similar products are found below :

[78M03S](#) [79B10T](#) [8136-475G4T](#) [G7G-1A2-CB-DC12](#) [H7CZL8AC100240](#) [A7SS-M](#) [A8CA-201](#) [DRR60016](#) [DRS4016](#) [1825008-1](#) [1825444-1](#) [25.350.0653.0](#) [SBS 5004 TG](#) [SDA10H1BDA](#) [97R06ST](#) [A2C-2A5](#) [1825444-7](#) [ADE08SA04](#) [ADE12S04](#) [192960010](#) [2-1825058-8](#) [25.330.0653.1](#) [25.352.0353.0](#) [CXDRIVEV2X](#) [IKN0600000](#) [IKN0800000](#) [LA2-002-DC24](#) [DBS1003](#) [438872000](#) [DRD10CRAE04](#) [DSR02T](#) [DSS 208 N](#) [E2FMX2D1M1TGJ03M](#) [NDI10H](#) [219-9MSTP](#) [204-6ES](#) [EPM02FV](#) [701521596](#) [NDS08V](#) [76SB05](#) [79A10](#) [TD06H0SK1](#) [Z7.255.9027.0](#) [1-1825058-3](#) [1825428-4](#) [219-10LPSTF](#) [E3ZG6111D03M](#) [G4D212PUSTV2DC5](#) [195-7MSTN](#) [NDI05H](#)