

Standard recovery diode (Stud version)



Features:

- High surge current capability
- Stud cathode and stud anode version
- Wide current range
- Metric device version available

Typical applications

- Battery charges
- Converters
- Power supplies
- Machine tool controls
- Welder
- Motor controls

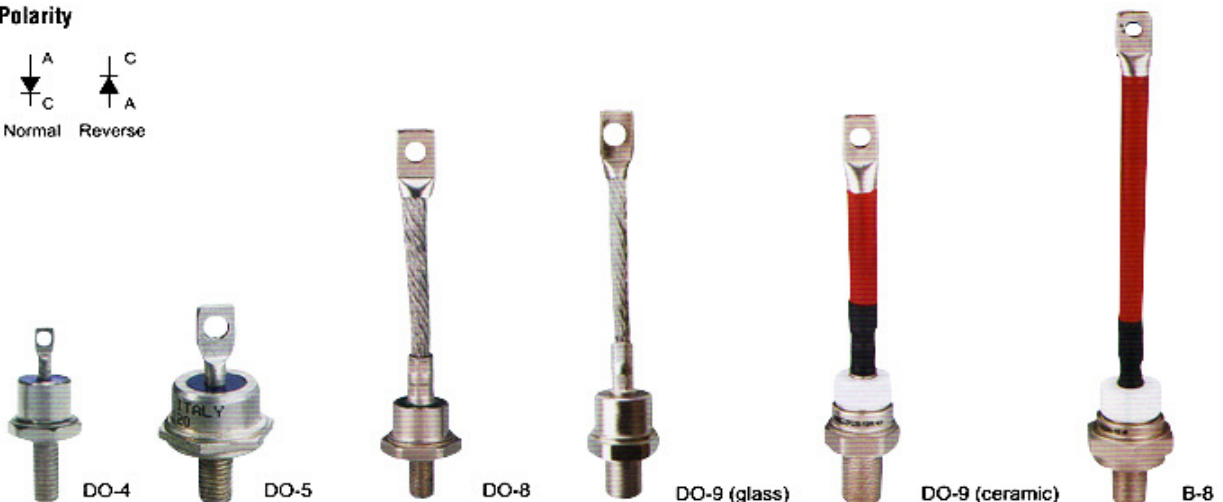
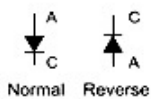
Ordering information table

FR 70 HF R 120 M L

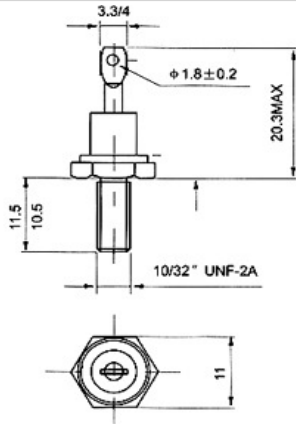
1 2 3 4 5 6 7

1. None=Standard recovery diodes; FR=Fast recovery diodes;
2. Current code=IF(AV)
3. Outline code:F=DO-4 case 6A□25A; HF=DO-5 case 30A□85A; U=DO-8,DO-9 case 100A□300A;
4. None=Stud normal polarity(cathode to stud); R=Stud reverse polarity(anode to stud);
5. Voltage code=code×10=VRRM
6. None=Standard inch device; M=Metric device;
7. Bigger size

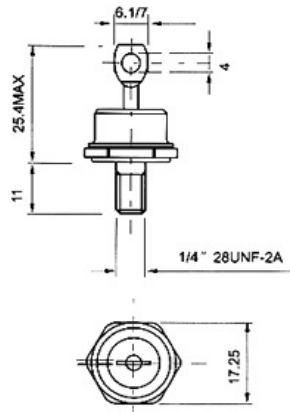
Polarity



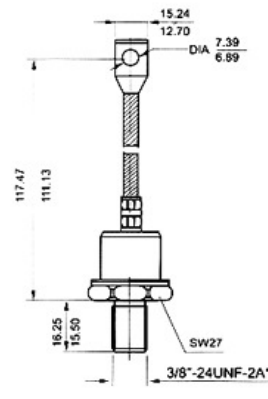
Type	$I_{F(AV)}$	V_{FM}/I_{FM}		I_{FRMS}	V_{RRM}	I_{RRM}	R_{je}	T_j	M^2	W_t	Outline
	THS55°C	25°C									
	A	V	A	A	V	mA	°C/W	°C			
6F(R)	6	1.1	18	9.0	200-1200	≤6	≤2.0	-40°C 150°C	≤1.0	0.008	DO-4
12F(R)	12	1.25	36	190	200-1200	≤6	≤1.2		≤1.0	0.008	
16F(R)	16	1.25	48	25.0	200-1200	≤12	≤1.2		≤1.0	0.008	
25F(R)	25	1.1	75	40.0	200-1200	≤12	≤1.2		≤1.0	0.008	
30HF(R)	30	1.3	90	48.0	200-1200	≤10	≤0.8		≤2.0	0.020	DO-5
40HF(R)	40	1.3	120	64.0	200-1200	≤10	≤0.8		≤2.0	0.020	
50HF(R)	50	1.4	150	80.0	200-1200	≤10	≤0.8		≤2.0	0.020	
60HF(R)	60	1.4	180	96.0	200-1200	≤12	≤0.6		≤2.0	0.020	
70HF(R)	70	1.45	210	112.0	200-1600	≤12	≤0.5		≤2.0	0.020	
85HF(R)	85	1.45	255	136.0	200-1600	≤12	≤0.4		≤2.0	0.020	DO-8
100U(R)L	100	1.8	300	160.0	200-1600	≤15	≤0.3		≤12	0.120	
150U(R)L	150	1.5	450	240.0	200-1600	≤15	≤0.3		≤12	0.120	
100U(R)	100	1.8	300	160.0	200-1600	≤15	≤0.3		DO-30	≤12	0.140
150U(R)	150	1.5	450	240.0	200-1600	≤15	≤0.3			≤12	0.140
200U(R)	200	1.3	600	320.0	200-1800	≤20	≤0.2			≤12	0.250
250U(R)	250	1.35	750	400.0	200-1800	≤20	≤0.15		DO-9	≤25	0.250
300U(R)	300	1.35	900	480.0	200-1800	≤20	≤0.15	≤25		0.250	
SD400N(R)	400	1.6	1200	640.0	200-2400	≤40	≤0.07	≤25	0.580	DO-8	
SD500N(R)	500	1.6	1500	800.0	200-2400	≤40	≤0.065	≤25	0.580		
SD600N(R)	600	1.5	1800	960.0	200-2400	≤40	≤0.065	≤30	0.580		



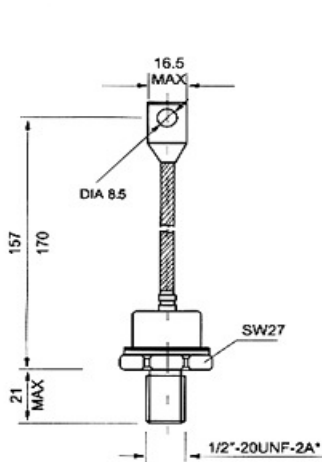
For metric devices: M5 × 0.8
DO-4



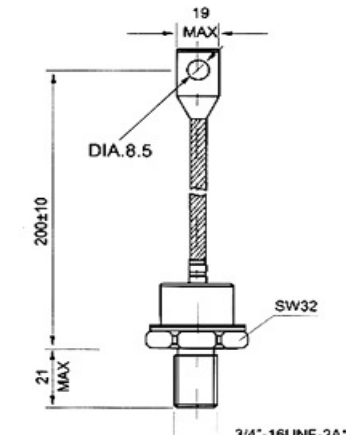
For metric devices: M6 × 1
DO-5



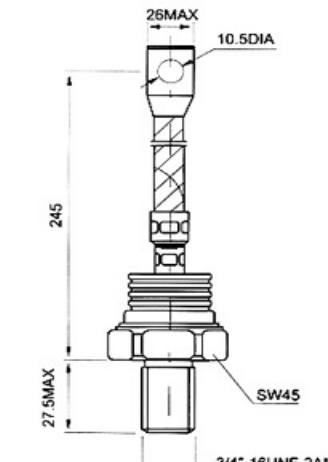
For metric device: M12 × 1.75
DO-8



*FOR METRIC DEVICE: M12 × 1.75
DO-30



*FOR METRIC DEVICE: M16 × 1.5/M20 × 1.5
DO-9



*FOR METRIC DEVICE: M20 × 1.5/M24 × 1.5
B-8

X-ON Electronics

Largest Supplier of Electrical and Electronic Components

Click to view similar products for [Rectifiers](#) category:

Click to view products by [GREGGOO](#) manufacturer:

Other Similar products are found below :

[70HFR40](#) [RL252-TP](#) [1N5397](#) [NTE5841](#) [NTE6038](#) [SCF5000](#) [1N4002G](#) [1N4005-TR](#) [JANS1N6640US](#) [481235F](#) [RRE02VS6SGTR](#) [067907F](#)
[MS306](#) [70HF40](#) [US2JFL-TP](#) [A1N5404G-G](#) [CRS04\(T5L,TEMQ\)](#) [ACGRA4007-HF](#) [ACGRB207-HF](#) [CLH03\(TE16L,Q\)](#) [ACGRC307-HF](#)
[ACEFC304-HF](#) [NTE6356](#) [NTE6359](#) [NTE6002](#) [NTE6023](#) [NTE6039](#) [NTE6077](#) [85HFR60](#) [40HFR60](#) [1N1186RA](#) [70HF120](#) [85HFR80](#)
[D126A45C](#) [SCF7500](#) [D251N08B](#) [SCHJ22.5K](#) [SM100](#) [SCPA2](#) [SDHD5K](#) [VS-12FL100S10](#) [ACGRA4001-HF](#) [D1821SH45T PR](#) [D1251S45T](#)
[NTE5990](#) [NTE6358](#) [NTE6162](#) [NTE5850](#) [SKN20/08](#) [SKN300/16](#)