

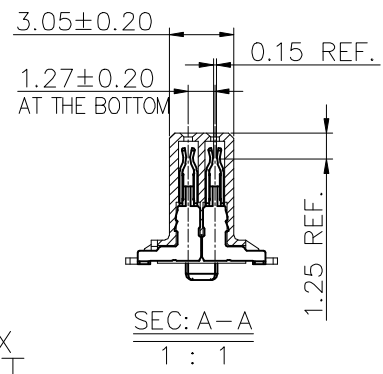
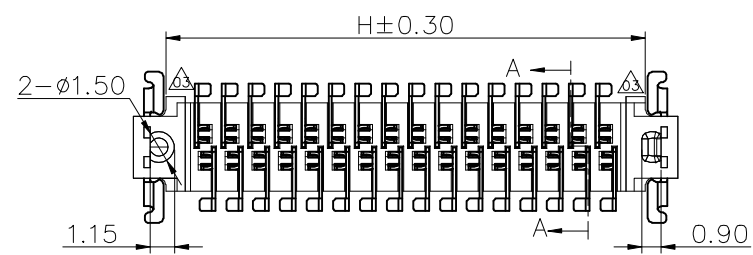
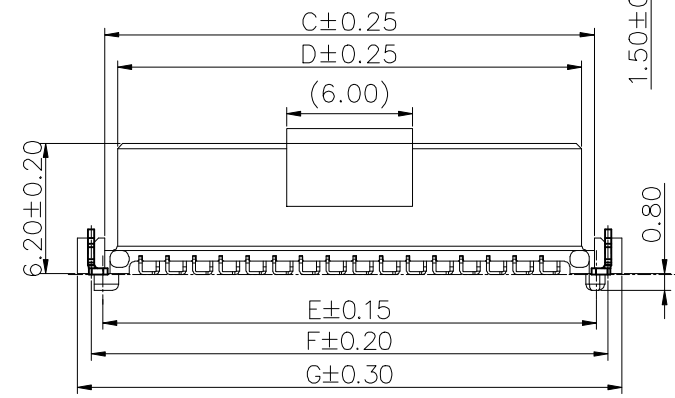
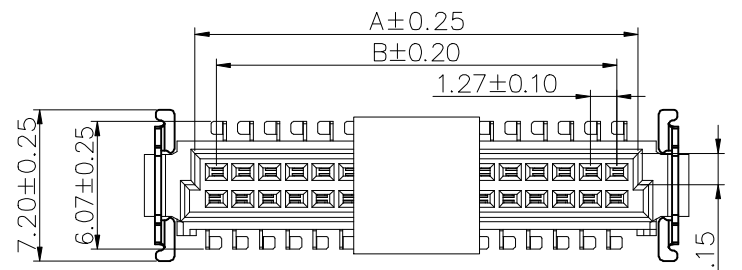
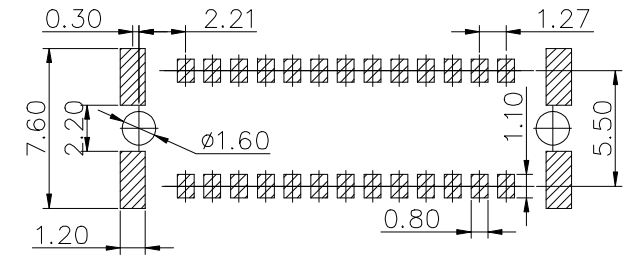
REV.	LOCAS.	DESCRIPTION	DATE	DRAWN
04	△A	依業務要求修改電氣特性	2019.01.08	柯東華
05	△A	依業務要求修改電氣特性	2021.04.29	柯東華

△A Specifications
 Current Rating: 1.70Amp/PIN △A
 Insulation Resistance: 10000MΩMin.
 Dielectric Withstanding Voltage: 500VAC
 Contact Resistance: 25mΩ Max.
 Operating Temperature: -55°C to +125°C
 Materials
 Contact Material: Phosphor Bronze
 Insulator Material: High Temperature Thermoplastic, UL 94V-0 LCP or the equivalent material
 All materials must meet GREENCONN hazardous substances control standards.

Pin No.	Dim.F
≤25pin	0.12
>25pin	0.15

No. of PIN/ROW	Dimension Information							
	A	B	C	D	E	F	G	H
2x06	8.37	6.35	10.57	9.37	10.77	11.87	13.20	10.10
2x08	10.91	8.89	13.11	11.91	13.31	14.41	15.74	12.64
2x10	13.45	11.43	15.65	14.45	15.85	16.95	18.28	15.18
2x13	17.26	15.24	19.46	18.26	19.66	20.76	22.09	18.99
2x16	21.07	19.05	23.27	22.07	23.47	24.57	25.90	22.80
2x20	26.15	24.13	28.35	27.15	28.55	29.65	30.98	27.88
2x25	32.50	30.48	34.70	33.50	34.90	36.00	37.33	34.23
2x34	43.93	41.91	46.13	44.93	46.33	47.43	48.76	45.66
2x40	51.55	49.53	53.75	52.55	53.95	55.05	56.38	53.28

Recommended P.C.Board Layout
 (Tolerance: ±0.05)



Ordering Information

C BEC201- XX XX B 004 C 1 T X

No. of Pins per Row: 06,08,10,13,16, 20,25,34,40
 Standard Plating: 79=5u" Au/80~160u" Matte Tin
 Selective Plating: 52=5u" Au/80~160u" Tin
 △01= Tin
 Color: 1=Black
 Standard Packing: F=Cap+Tape&Reel
 Selective Packing: C=Tube

Greenconn
 Website: www.greenconn.com
 E-mail: sales@greenconn.com

REV. 05 UNIT. mm SCALE. 3:1

3RD.ANG PROJ.
 PAGE. 1/1

GENERAL TOLERANCE	
X. ±5.0'	X. ±0.30
.X. ±3.0'	.X. ±0.25
.XX. ±2.0'	.XX. ±0.15
.XXX. ±1.0'	.XXX. ±0.10

DESIGNED: 柯東華 DATE: 2021.04.29
 CHECKED: DATE:
 APPROVED: DATE:

DWG. NO. CBEC201-CB4CT
 PART NO. CBEC201-XXXX B004C1TX

TITLE. 1.27 BOARD TO BOARD FEMALE DUAL ROW SMT TYPE CONNECTOR

X-ON Electronics

Largest Supplier of Electrical and Electronic Components

Click to view similar products for [Board to Board & Mezzanine Connectors](#) category:

Click to view products by [GREENCONN](#) manufacturer:

Other Similar products are found below :

[589158040000018](#) [MDF7C-18P-2.54DSA\(55\)](#) [FCN-268F036-G/BD](#) [FCN-268M012-G/0D](#) [FCN-268M024-G/1D](#) [MIS-048-01-F-D-DP-K](#)
[832-10-034-10-001000](#) [FX4C-80S-1.27DSA](#) [93696-330](#) [224393](#) [FCN-235D050-G/C](#) [210-93-314-41-105000](#) [MDF7-40DP-2.54DSA\(55\)](#)
[55323-1519](#) [069159702701000](#) [101A10019X](#) [105061100000861+](#) [75140-7012](#) [87471-650](#) [1744382-4](#) [063209](#) [10124054-515LF](#) [68685-603](#)
[8-1616154-3](#) [541371078](#) [IL-WX-10PB-HF-B-E1000E](#) [FX23-40P-0.5SV15B](#) [FCN-214J100-G/0](#) [354184](#) [P50-028-DDS-TG](#) [53309-2471](#)
[54546-2071](#) [1586617-1](#) [504248-1210](#) [504248-2010](#) [1-1437355-2](#) [9159005551906](#) [NDS100-004-BF](#) [93696-730LF](#) [91922-31141LF](#) [505274-](#)
[3440](#) [501493-2410](#) [504208-3410](#) [505006-0811](#) [505274-2040](#) [202436-1600](#) [202477-0414](#) [71660-7580](#) [73420-5192](#) [360-10-107-00-001000](#)