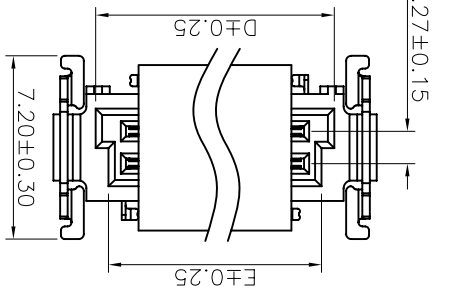
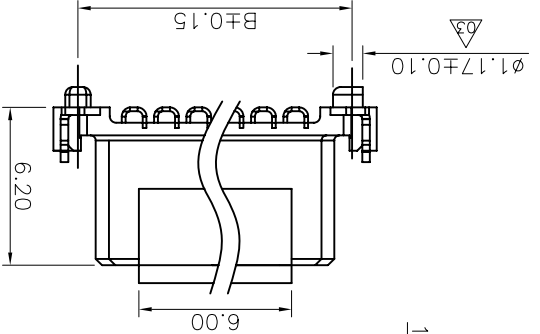
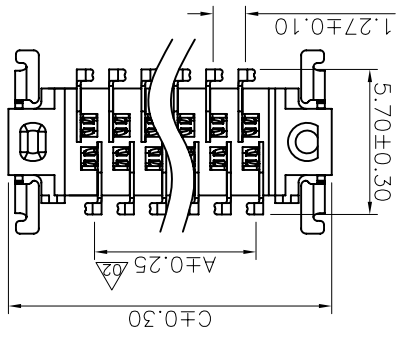


GENERAL TOLERANCE	X.±0.30	X.±0.30
	X.±3.0°	X.±2.0°
	.XXX±0.10	.XXX±0.10

DESIGN: 李鮮梅	DATE: 2015.8.05
CHECKED: 林澤云	DATE: 2015.8.05
CO SIGNED: 徐重博	DATE: 2015.8.05
APPROVED: Link	DATE: 2015.8.05

DWG. NO.	CBC201-CB1CX
PART NO.	CBC201-XX XX B001C1XX

TITLE. Pitch1.27 Female Connector
SMC Type-B SMT Type High
6.20mm 180°



Ordering Information

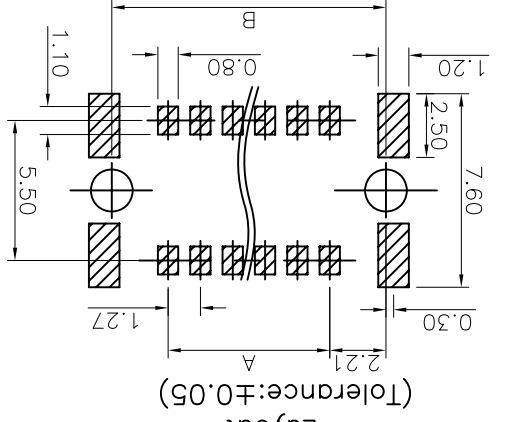
CBC201-XX XX B001 C 1 X X

No. of Pins per Row 06~25

Standard Plating
79=5u" Au/80~160u" Matte Tin
Selective Plating
34=10u" Gold/Gold Flash
05=Gold Flash/Tin

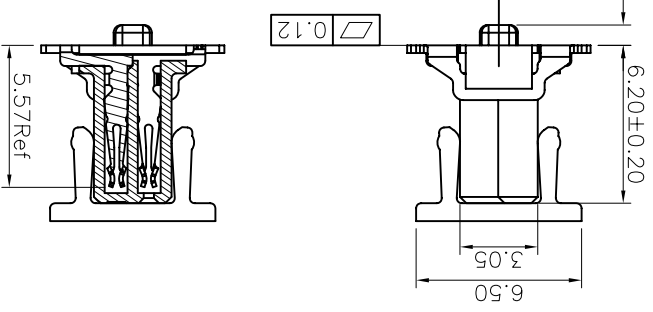
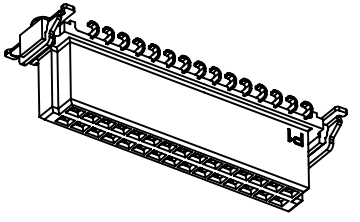
Standard Packing
C=Tube
E=CAP+Tube
F=CAP+Tape&Reel

Standard Packing
A=Phosphor Bronze
F=Beryllium Copper



Recommended P.C.Board Layout

PIN NO.	A	B	C	D	E
2*06	6.35	10.77	13.20	9.37	8.37
2*13	15.24	19.66	22.09	18.26	17.26
2*25	30.48	34.90	37.33	33.50	32.50



Specifications
Current Rating:0.8Amp
Insulation Resistance:1000MΩ Min.
Dielectric Withstanding Voltage:500VAC
Contact Resistance:30mΩ Max.
Operating Temperature:-55°C to +125°C
Materials
Contact Material:Copper Alloy
Insulator Material:High Temperature Thermoplastic, UL 94V-0 LCP or the equivalent material
Colour:Black
All materials must meet Greenconn hazardous substances control standards. ⚠

REV.	LOCAS.	DESCRIPTION	DATE	DRAWN
01	NEW	INITIAL RELEASE.	2013.10.30	劉宗良
02	△2	According to the actual requirement to update the latest specification	2014.10.08	楊濤
03	△3	柱子依實物修改圖面	2015.8.05	李鮮梅

X-ON Electronics

Largest Supplier of Electrical and Electronic Components

Click to view similar products for GREENCONN manufacturer:

Other Similar products are found below :

[GPEC214-1002B009C1BC](#) [GBEC201-3479B001C1AF](#) [CBEC219-0679B001C1AF](#) [GPEA214-1002A005C1BA](#) [GPED201-0802A005C1BC](#)
[GBEC201-0679B001C1AF](#) [CBEC220-1379B001C1AF](#) [GBEC201-1379B001C1AF](#) [CBEC219-1379B001C1AF](#) [GPEA214-0502A005C1BA](#)
[GPEA214-0802A005C1BA](#) [CBEC220-0679B001C1AF](#) [CBEC219-3479B001C1AF](#) [CSEC202-2002A001C1AC](#) [CSEB202-1002A001C1AC](#)
[CSEB202-2502A001C1AC](#) [CSEC208-0502A001C1AC](#) [GBEC202-0679B001C1AF](#) [GPED201-2502A005C1BC](#) [CBEC219-2579B001C1AF](#)
[CSEA202-2502A001C1AC](#) [GPEB213-0502A018C1BC](#) [CBEC219-4079B001C1AF](#) [GPEB213-1002A018C1BC](#) [GPEA214-2502A005C1BA](#)
[CSEA202-2002A001C1AC](#) [CBEC220-2579B001C1AF](#) [GBEC201-2579B001C1AF](#) [GBEC202-2579B001C1AF](#) [GBEC201-4079B001C1AF](#)
[CBEC220-3479B001C1AF](#) [CBEC220-4079B001C1AF](#) [GPEA214-2002A005C1BA](#) [GPED201-1002A005C1BC](#) [GBEC202-4079B001C1AF](#)
[GPEB213-2002A018C1BC](#) [GBEC202-1379B001C1AF](#) [GBEC202-3479B001C1AF](#) [CSEC208-1002A001C1AC](#) [CSEB202-2002A001C1AC](#)
[GPED201-2002A005C1BC](#) [GPEB213-2502A018C1BC](#) [CSEC208-2002A001C1AC](#) [CSEC208-2502A001C1AC](#) [GPEC214-2502B009C1BC](#)
[CSEB202-0802A001C1AC](#) [CBEC201-0679B001C1AF](#) [CBEC201-2579B001C1AF](#) [CBEC201-3479B001C1AF](#) [CBEC201-1379B001C1AF](#)