

GENERAL TOLERANCE

X.±5.0°
X.±0.30
X.±3.0°
.XX±2.0°
.XXX±1.0°

APPROVED: Link

DESIGN: 楊濤

CHECKED: 林澤云

CO SIGNED: 徐軍博

DATE: 2014.10.08

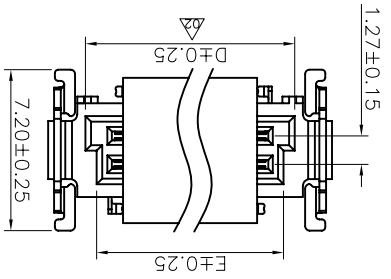
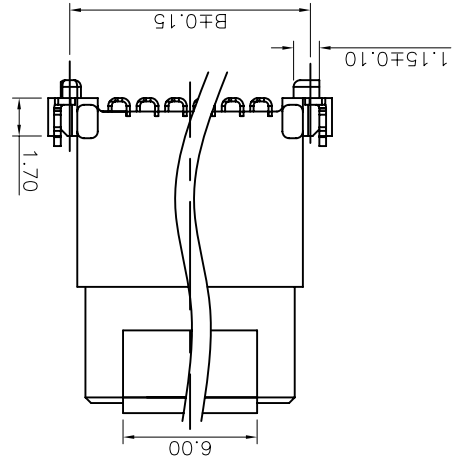
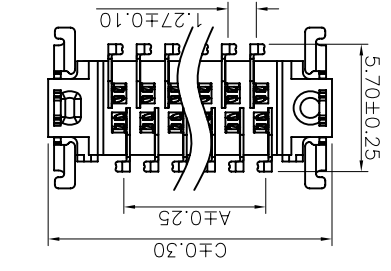
DATE: 2014.10.08

DATE: 2014.10.08

DWG. NO. CBEC220-CB1CA

PART NO. CBEC220-XX XX B001C1AX

TITLE. Pitch1.27 Female Connector SMC Type-B SMT Type High 13.65mm 180°



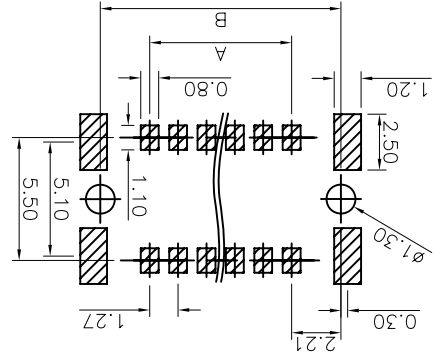
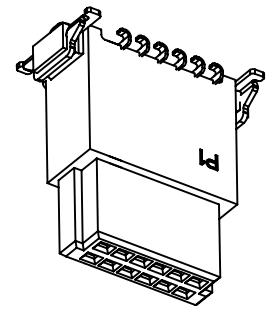
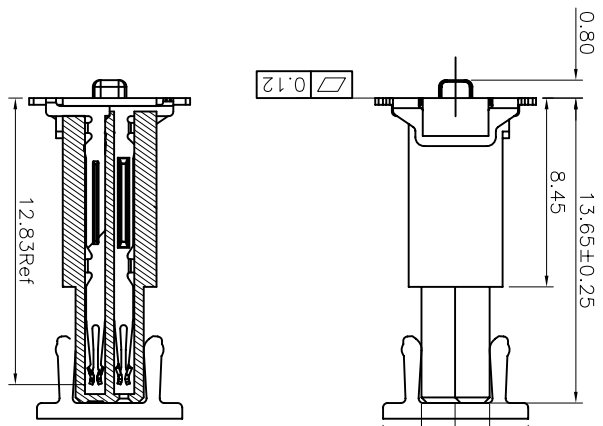
Ordering Information

CBEC220 - XX XX B001 C 1 A X

No. of Pins per Row

Standard Plating
79=5u" Au/80~160u" Matte Tin
Selective Plating
34=10u" Gold/Gold Flash
05=Gold Flash/Tin

Standard Packing
C=tube
E=cap+tube
F=cap+tape&reel



Recommended P.C.Board Layout
(Tolerance:±0.05)

PIN NO.	A	B	C	D	E
2*06	6.35	10.77	13.20	9.37	8.37
2*13	15.24	19.66	22.09	18.26	17.26
2*25	30.48	34.90	37.33	33.50	32.50

Specifications:
Current Rating:0.8amp
Insulation Resistance:1000MΩ Min.
Dielectric Withstanding Voltage:500VAC
Contact Resistance:≤5mΩ Max.
Operating Temperature:-55°C to +125°C
Materials
Contact Material:Phosphor Bronze
Insulator Material:High Temperature Thermoplastic, UL 94V-0 LCP or the equivalent material
Colour:Black
All materials must meet Greenconn hazardous substances control standards.▲

REV.	LOCAS.	DESCRIPTION	DATE	DRAWN
01	NEW	INITIAL RELEASE.	2013.10.29	劉宗良
02	▲	According to the actual requirement to update the latest specification	2014.10.08	楊濤

X-ON Electronics

Largest Supplier of Electrical and Electronic Components

Click to view similar products for GREENCONN manufacturer:

Other Similar products are found below :

[GPEC214-1002B009C1BC](#) [GBEC201-3479B001C1AF](#) [CBEC219-0679B001C1AF](#) [GPEA214-1002A005C1BA](#) [GPED201-0802A005C1BC](#)
[GBEC201-0679B001C1AF](#) [CBEC220-1379B001C1AF](#) [GBEC201-1379B001C1AF](#) [CBEC219-1379B001C1AF](#) [GPEA214-0502A005C1BA](#)
[GPEA214-0802A005C1BA](#) [CBEC220-0679B001C1AF](#) [CBEC219-3479B001C1AF](#) [CSEC202-2002A001C1AC](#) [CSEB202-1002A001C1AC](#)
[CSEB202-2502A001C1AC](#) [CSEC208-0502A001C1AC](#) [GBEC202-0679B001C1AF](#) [GPED201-2502A005C1BC](#) [CBEC219-2579B001C1AF](#)
[CSEA202-2502A001C1AC](#) [GPEB213-0502A018C1BC](#) [CBEC219-4079B001C1AF](#) [GPEB213-1002A018C1BC](#) [GPEA214-2502A005C1BA](#)
[CSEA202-2002A001C1AC](#) [CBEC220-2579B001C1AF](#) [GBEC201-2579B001C1AF](#) [GBEC202-2579B001C1AF](#) [GBEC201-4079B001C1AF](#)
[CBEC220-3479B001C1AF](#) [CBEC220-4079B001C1AF](#) [GPEA214-2002A005C1BA](#) [GPED201-1002A005C1BC](#) [GBEC202-4079B001C1AF](#)
[GPEB213-2002A018C1BC](#) [GBEC202-1379B001C1AF](#) [GBEC202-3479B001C1AF](#) [CSEC208-1002A001C1AC](#) [CSEB202-2002A001C1AC](#)
[GPED201-2002A005C1BC](#) [GPEB213-2502A018C1BC](#) [CSEC208-2002A001C1AC](#) [CSEC208-2502A001C1AC](#) [GPEC214-2502B009C1BC](#)
[CSEB202-0802A001C1AC](#) [CBEC201-0679B001C1AF](#) [CBEC201-2579B001C1AF](#) [CBEC201-3479B001C1AF](#) [CBEC201-1379B001C1AF](#)