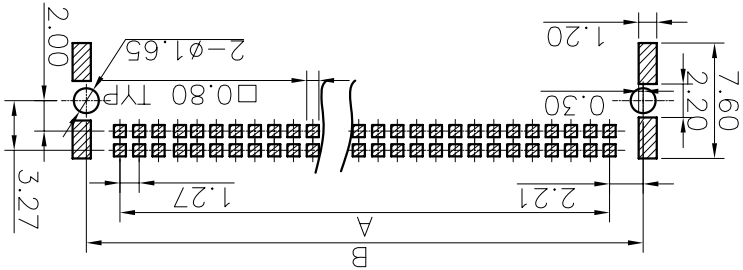


DESIGNED: 馮國東 DATE: 2015.12.15	CHECKED: 曹熙 DATE: 2015.12.15	CBD201-CB1CA	DWG. NO.
CO SIGNED: 劉北平 DATE: 2015.12.15	APPROVED: 李輝 DATE: 2015.12.15	CBD201-XX XX B001C1AX	PART NO.
GENERAL TOLERANCE			TITLE.
X.±5.0°	X.±0.30	Pitch1.27 Female Connector	
.X±3.0°	.X±0.25	SMC 90° TYPE-Q SMT TYPE	
.XX±2.0°	.XX±0.15		
.XXX±1.0°	.XXX±0.10		

Ordering Information
CBD201 - XX XX B 001 C 1 A X

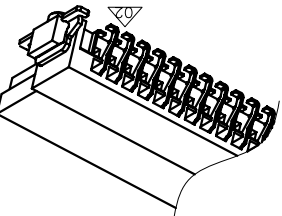
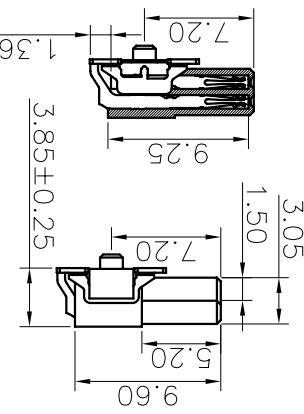
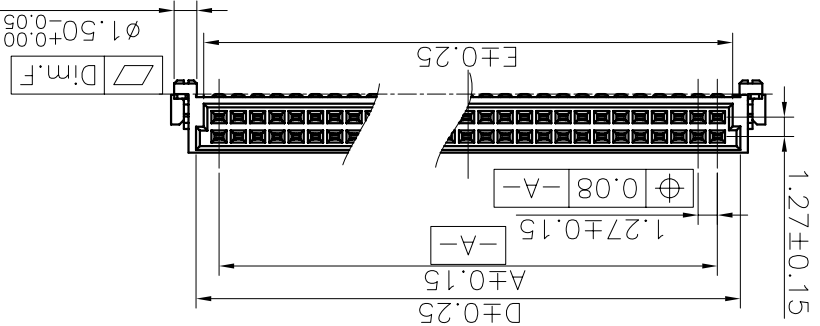
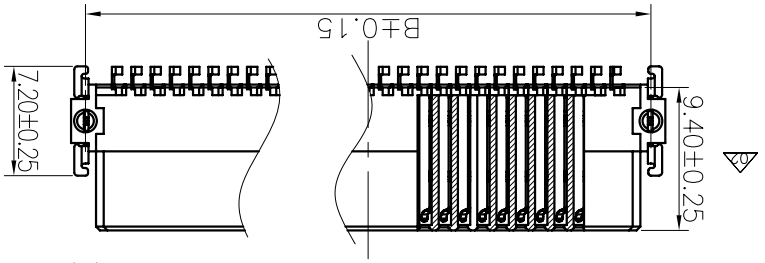
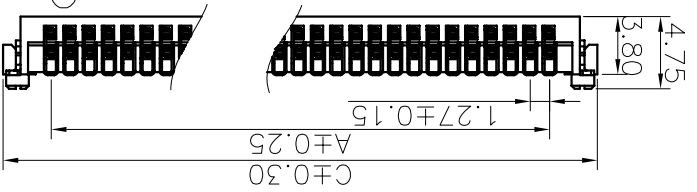
Pin No.	Dim.F
> 25pin	0.15
≤ 25pin	0.12



Recommended P.C.Board Layout
(Tolerance:±0.05)

Standard Packing
D=Tape&Reel

No. of Pins per Row
06,13,25,34,40
Standard Plating
79=5u"Au/80~160u"Matte Tin
77=15u"Gold/Matte Tin
78=30u"Gold/Matte Tin



PIN NO.	A	B	C	D	E
2*06	6.55	10.77	12.70	9.37	8.37
2*13	15.24	19.66	21.59	18.26	17.26
2*25	30.48	34.90	36.83	33.50	32.50
2*34	41.91	46.33	48.26	44.93	43.93
2*40	49.53	53.95	55.88	52.55	51.55

Specifications
Current Rating:0.8amp
Insulation Resistance:1000MΩ Min.
Dielectric Withstanding Voltage:500VAC
Contact Resistance:30mΩ Max.
Operating Temperature:-55°C to +125°C
Materials
Contact Material:Phosphor Bronze
Insulator Material:High Temperature Thermoplastic, UL 94V-0 LCP or the equivalent material
Colour:Black
All materials must meet Greenconn hazardous substances control standard.

REV.	LOCAS.	DESCRIPTION	DATE	DRAWN
01	NEW	BATCH PRODUCTION INITIAL RELEASE.	2014.03.17	Zonglianghu
02	△2	revise the drawing based on the reality	2014.05.06	SHEN
03	△3	According to the actual requirement to update the latest specification	2014.10.07	楊濤
04	△4	依業務要求增加電線碼	2015.12.15	馮國東

X-ON Electronics

Largest Supplier of Electrical and Electronic Components

Click to view similar products for GREENCONN manufacturer:

Other Similar products are found below :

[GPEC214-1002B009C1BC](#) [GBEC201-3479B001C1AF](#) [CBEC219-0679B001C1AF](#) [GPEA214-1002A005C1BA](#) [GPED201-0802A005C1BC](#)
[GBEC201-0679B001C1AF](#) [CBEC220-1379B001C1AF](#) [GBEC201-1379B001C1AF](#) [CBEC219-1379B001C1AF](#) [GPEA214-0502A005C1BA](#)
[GPEA214-0802A005C1BA](#) [CBEC220-0679B001C1AF](#) [CBEC219-3479B001C1AF](#) [CSEC202-2002A001C1AC](#) [CSEB202-1002A001C1AC](#)
[CSEB202-2502A001C1AC](#) [CSEC208-0502A001C1AC](#) [GBEC202-0679B001C1AF](#) [GPED201-2502A005C1BC](#) [CBEC219-2579B001C1AF](#)
[CSEA202-2502A001C1AC](#) [GPEB213-0502A018C1BC](#) [CBEC219-4079B001C1AF](#) [GPEB213-1002A018C1BC](#) [GPEA214-2502A005C1BA](#)
[CSEA202-2002A001C1AC](#) [CBEC220-2579B001C1AF](#) [GBEC201-2579B001C1AF](#) [GBEC202-2579B001C1AF](#) [GBEC201-4079B001C1AF](#)
[CBEC220-3479B001C1AF](#) [CBEC220-4079B001C1AF](#) [GPEA214-2002A005C1BA](#) [GPED201-1002A005C1BC](#) [GBEC202-4079B001C1AF](#)
[GPEB213-2002A018C1BC](#) [GBEC202-1379B001C1AF](#) [GBEC202-3479B001C1AF](#) [CSEC208-1002A001C1AC](#) [CSEB202-2002A001C1AC](#)
[GPED201-2002A005C1BC](#) [GPEB213-2502A018C1BC](#) [CSEC208-2002A001C1AC](#) [CSEC208-2502A001C1AC](#) [GPEC214-2502B009C1BC](#)
[CSEB202-0802A001C1AC](#) [CBEC201-0679B001C1AF](#) [CBEC201-2579B001C1AF](#) [CBEC201-3479B001C1AF](#) [CBEC201-1379B001C1AF](#)