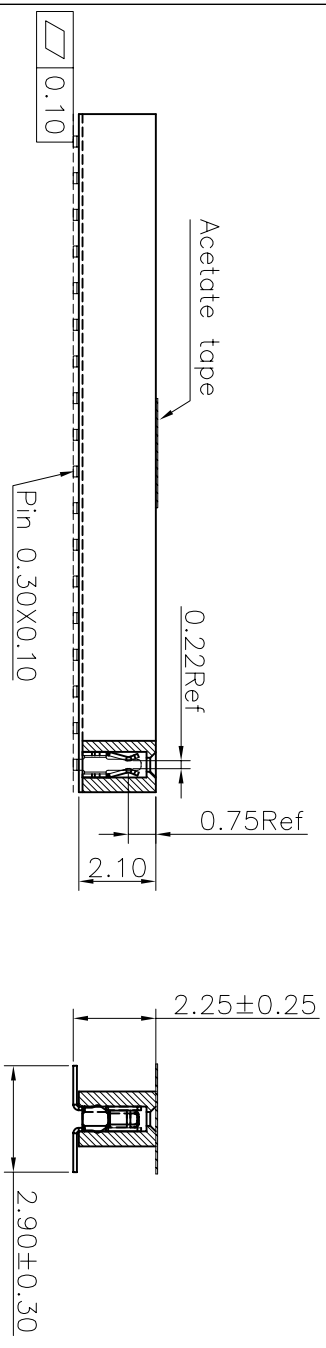
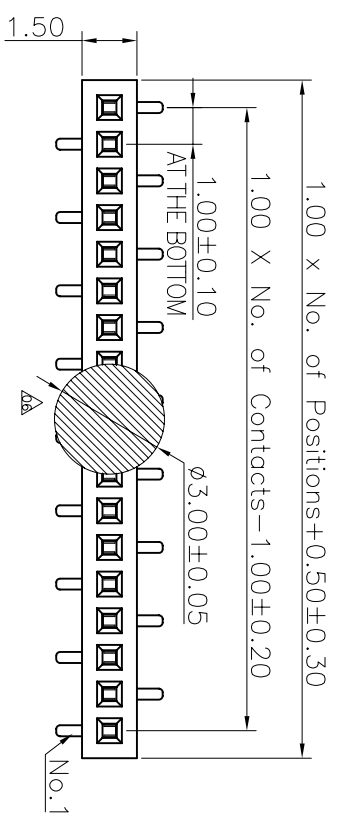
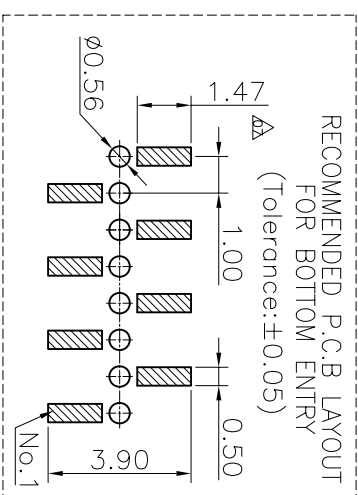
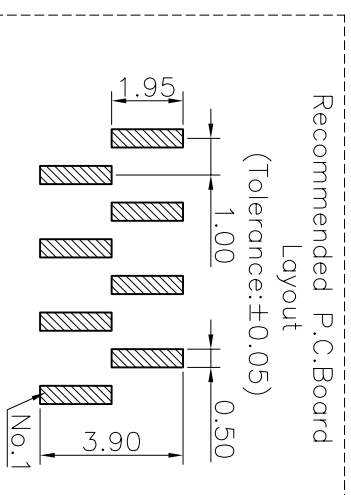


| REV. | LOCAS. | DESCRIPTION | DATE | DRAWN |
|------|--------|-------------------------|------------|-------|
| 05 | △ | 以防止膠紙脫落,變更04pin膠紙規格 | 2012.06.27 | 黃小燕 |
| 06 | △ | 以防止膠紙脫落,變更02-40pin膠紙規格 | 2012.08.24 | 黃小燕 |
| 07 | △ | 依業務要求增加圖面加底插的PCB layout | 2019.02.13 | 何東華 |



Specifications
 Current Ratings: 1Amp
 Insulation Resistance: 1000MΩMin.
 Dielectric Withstanding Voltage: 300VAC
 Contact Resistance: 20mΩMax.
 Operating Temperature: -40°C to +105°C Materials
 Contact Material: Phosphor Bronze
 Insulator Material: High Temperature Thermoplastic, UL 94V-0 LCP or the equivalent material
 All materials must meet Greenconn requirement for environment protection.



Ordering Information

C SCC118 - XX XX A 001 C 1 A X

No. of Pins per Row: 02~40
 Standard Plating: 02=Gold Flash, 01=Tin, 05=Gold Flash/Tin
 Color: 1=Black
 Standard Packing: C=Tube
 Selective Packing: A=box, E=Cap+Tube, F=Cap+Tape&Reel, G=Acetate Tape+Tube, H=Acetate Tape+Tape&Reel

| | | | | | | | | | | |
|---|----------|------------|--------------------------|------------|--|-------|-------------------------------------|-----------------------|---|-----------------------|
| 格菱股份有限公司 Greenconn Corporation | | | GENERAL TOLERANCE | | DESIGNED: 何東華 CHECKED: CO SIGNED: 張世霖 APPROVED: | | DWG. NO. △△ CSCC118-CA1CA | | TITLE. 1.00 FEMALE HEADER SINGLE ROW SMT TYPE CONNECTOR | |
| REV. 07 | UNIT. mm | SCALE. 5:1 | PAGE. 1/1 | X: ±5.0° | X: ±0.30 | DATE: | DATE: 2019.02.13 | PART NO. | | CSCC118-XXXX A00TC1AX |
| | | | | X: ±3.0° | X: ±0.25 | DATE: | DATE: 2019.02.13 | CSCC118-XXXX A00TC1AX | | |
| | | | | .XX ±2.0° | .XX ±0.15 | DATE: | DATE: | | | |
| | | | | .XXX ±1.0° | .XXX ±0.10 | DATE: | DATE: | | | |

X-ON Electronics

Largest Supplier of Electrical and Electronic Components

Click to view similar products for [Headers & Wire Housings](#) category:

Click to view products by [GREENCONN](#) manufacturer:

Other Similar products are found below :

[0015917161](#) [0022155065](#) [57102-F02-18ULF](#) [58102-G61-06LF](#) [582553-1](#) [01.001.5753.1](#) [0050291907](#) [02.125.8002.8](#) [609-3404](#) [61062-3](#)
[CSU011177004](#) [622-0430](#) [622-3653LF](#) [63453-116](#) [636-1030](#) [636-1427](#) [636-3427](#) [636-4007](#) [641938-9](#) [65495-038](#) [65692-001LF](#) [65781-018](#)
[65781-047](#) [65817-010LF](#) [65817-015LF](#) [67095-007LF](#) [67601157](#) [68631-112](#) [68645-018](#) [699319-000](#) [70.362.1628.0](#) [70-4210](#) [70-4226B](#) [70-](#)
[4853B](#) [71.350.2428.0](#) [733-134](#) [733-162](#) [760-3052](#) [MHR-64-VUAL](#) [80.063.4001.1](#) [800-90-001-10-001000](#) [801-43-002-10-013000](#)
[801-43-006-10-002000](#) [803-43-024-10-001000](#) [803-93-012-10-001000](#) [8-1437020-4](#) [819-22-004-30-001101](#) [820-22-006-30-001101](#)
[820-22-008-30-001101](#) [821-22-002-10-001101](#)