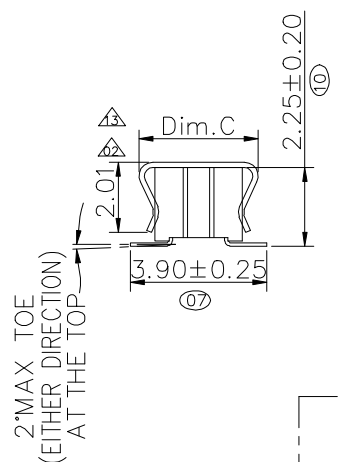
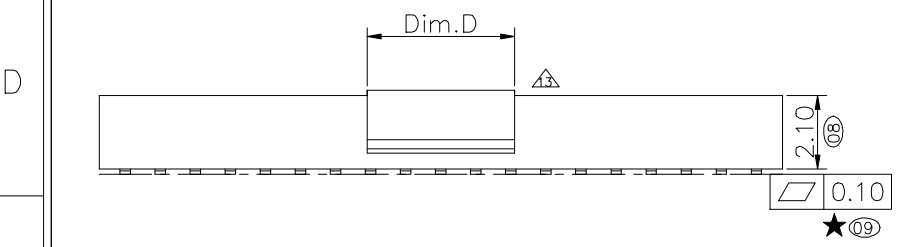
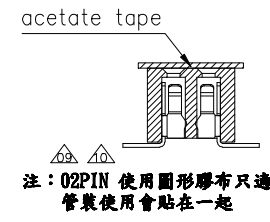
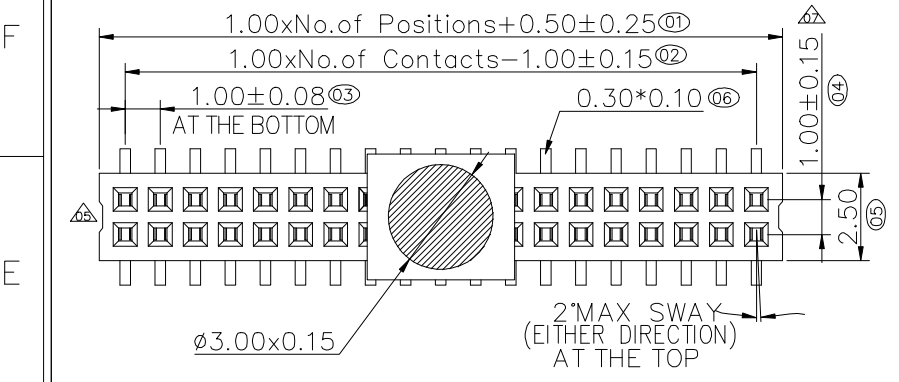


REV.	LOCAS.	DESCRIPTION	DATE	DRAWN
13	△△	產線反應自物料生產產品喇叭會重疊，變更CAP (R-H20701)	2020.08.24	何東華
14	△△	依業務要求增加車載料號	2021.09.24	何東華

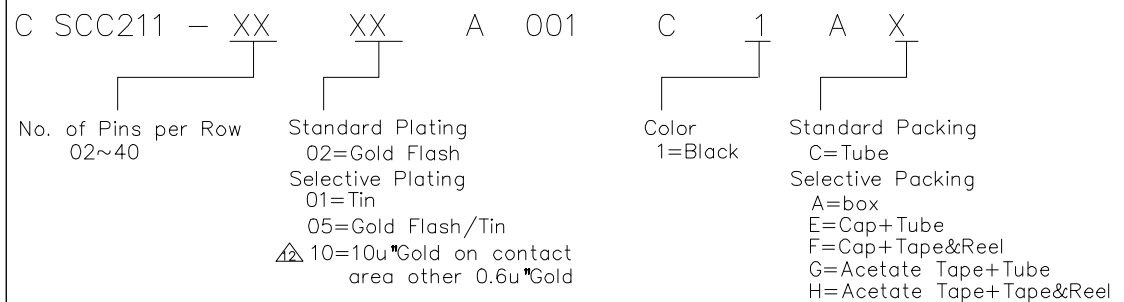
Dim.D	Dim.C	NOTE
3.00mm	3.85mm	03 Pin
4.20mm	3.40mm	04~40Pin



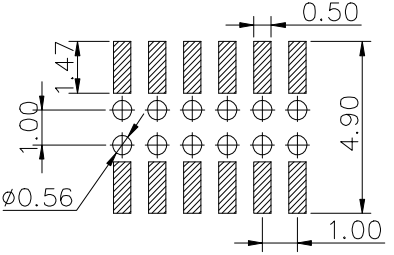
Specifications
 Current Rating: 1.0Amp △
 Insulation Resistance: 1000MΩMin. △
 Dielectric Withstanding Voltage: 300VAC △
 Contact Resistance: 20mΩMax. △
 Operating Temperature: -40°C to +105°C
 Max Process Temp: 230°C for 30~60 sec.
 Materials
 Contact Material: Phosphor Bronze
 Insulator Material: High Temperature Thermoplastic, UL 94V-0 LCP or the equivalent material
 ☆All materials must meet Greenconn hazardous substances control standards.
 "★": Critical Characteristics. indicates product characteristics, functionalities, and manufacturing processes regarding to customer's specifications
 "☆": Safety Features. indicates product characteristics, functionalities, and manufacturing processes complying to legal regulations stated by local government

Greenconn P/N	Customer	Remarks
CSCC211-0202A001C1AC	G005	Automotive Connector
CSCC211-0202A001C1AD		

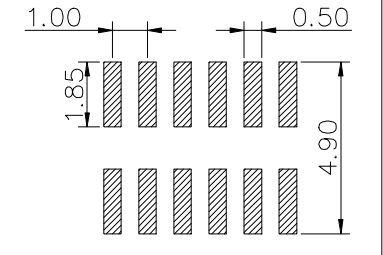
Ordering Information



Recommended P.C.Board Layout For Bottom Entry (Tolerance: ±0.05)



Recommended P.C.Board Layout For Top Entry (Tolerance: ±0.05)



<p>Website: www.greenconn.com E-mail: sales@greenconn.com</p>	3RD. ANG PROJ. 	GENERAL TOLERANCE		DESIGNED: 何東華	DATE: 2021.09.24	DWG. NO. △△ CSCC211-CA1CA PART NO. △△ CSCC211-XXXX A001C1AX	TITLE: 1.00 FEMALE HEADER DUAL ROWS SMT TYPE CONNECTOR
		X.±5.0'	X.±0.30	CHECKED: 张春进	DATE: 2021.09.24		
		.X.±3.0'	.X±0.25	APPROVED: 邱国廷	DATE: 2021.09.24		
REV. 14	UNIT. mm	SCALE. 5:1	PAGE. 1/1	.XX±2.0'	.XX±0.15		
				.XXX±1.0'	.XXX±0.10		

X-ON Electronics

Largest Supplier of Electrical and Electronic Components

Click to view similar products for [Headers & Wire Housings](#) category:

Click to view products by [GREENCONN](#) manufacturer:

Other Similar products are found below :

[0015917161](#) [0022155065](#) [57102-F02-18ULF](#) [58102-G61-06LF](#) [582553-1](#) [01.001.5753.1](#) [0050291907](#) [02.125.8002.8](#) [609-3404](#) [61062-3](#)
[CSU011177004](#) [622-0430](#) [622-3653LF](#) [63453-116](#) [636-1030](#) [636-1427](#) [636-3427](#) [636-4007](#) [641938-9](#) [65495-038](#) [65692-001LF](#) [65781-018](#)
[65781-047](#) [65817-010LF](#) [65817-015LF](#) [67095-007LF](#) [67601157](#) [68631-112](#) [68645-018](#) [699319-000](#) [70.362.1628.0](#) [70-4210](#) [70-4226B](#) [70-](#)
[4853B](#) [71.350.2428.0](#) [733-134](#) [733-162](#) [760-3052](#) [MHR-64-VUAL](#) [80.063.4001.1](#) [800-90-001-10-001000](#) [801-43-002-10-013000](#)
[801-43-006-10-002000](#) [803-43-024-10-001000](#) [803-93-012-10-001000](#) [8-1437020-4](#) [819-22-004-30-001101](#) [820-22-006-30-001101](#)
[820-22-008-30-001101](#) [821-22-002-10-001101](#)