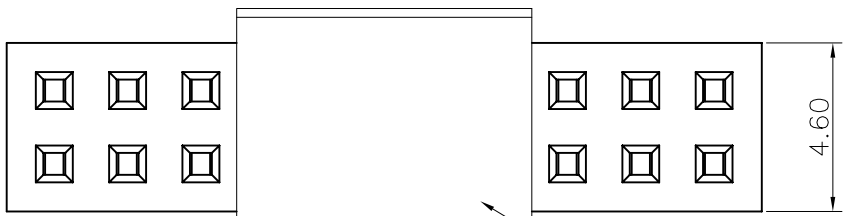
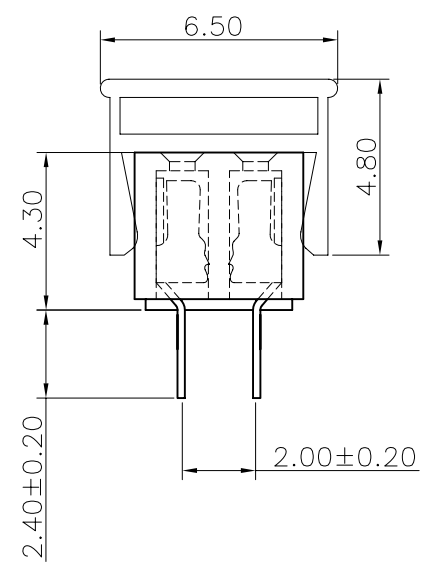
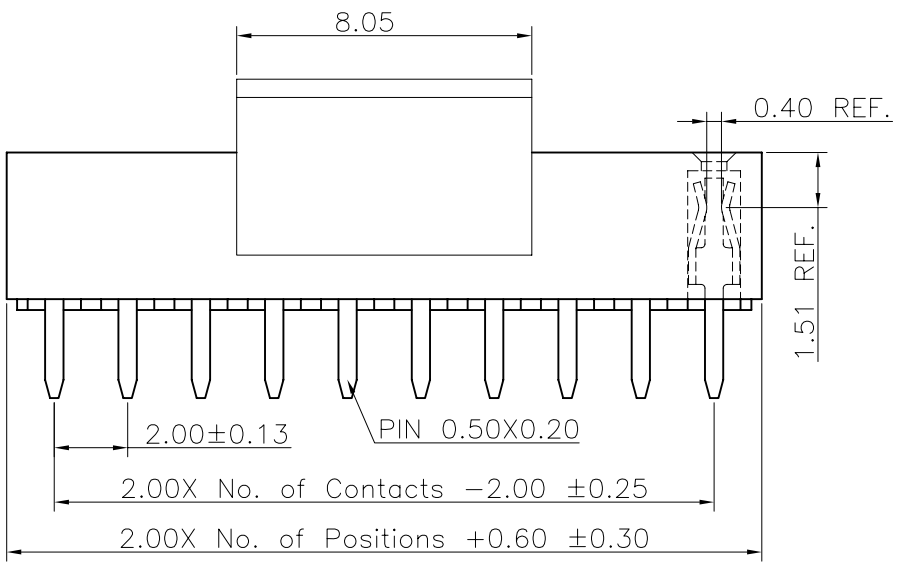


REV.	LOCAS.	DESCRIPTION	DATE	DRAWN
01	NEW	BATCH PRODUCTION INITIAL RELEASE.	2010.06.08	謝金發
02	△	依上級要求變更圖號	2012.04.25	李芳忠
03	△	依業務要求增加82電鍍碼	2019.10.17	馮國東



The cap used above 4pins



Specifications
 Current Rating:2.0Amp
 Insulation Resistance:1000MΩMin.
 Dielectric Withstanding Voltage:500VAC
 Contact Resistance:20mΩMax.
 Operating Temperature:-40°C to +105°C
 Materials
 Contact Material:Phosphor Bronze
 Insulator Material:High Temperature Thermoplastic, UL 94V-0 Nylon 6T (Halogen Free) or the equivalent material
 All materials must meet Greenconn hazardous substances control standards.

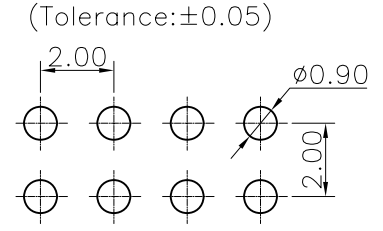
Ordering Information

C SFA201 - XX XX A 001 R 1 A X

No. of Pins per Row: 02~40
 Standard Plating: 02=Gold Flash
 Selective Plating: 01=Tin, 05=Gold Flash/Tin
 △ 82=1u'' gold over 100~150u'' Nickel

Color: 1=Black
 Standard Packing: A=Box, C=Tube, E=Cap+Tube, F=Cap+Tape&Reel
 Selective Packing

Recommended P.C.Board Layout



格稜股份有限公司
Greenconn Corporation

GENERAL TOLERANCE	
X.*±5.0°	X.±0.30
.X*±3.0°	.X±0.25
.XX*±2.0°	.XX±0.15
.XXX*±1.0°	.XXX±0.10

DESIGNED: 馮國東	DATE: 2019.10.17
CHECKED: 邱國延(代)	DATE: 2019.10.17
CO SIGNED: 鐘隆進	DATE: 2019.10.17
APPROVED: 邱國延	DATE: 2019.10.17

DWG. NO.	CSFA201-CA1RA
PART NO.	CSFA201-XXXX A001R1AX

TITLE:
 2.00 FEMALE HEADER
 DUAL ROWS DIP TYPE
 CONNECTOR

REV. 03	UNIT. mm	SCALE. 5:1	PAGE. 1/1	
---------	----------	------------	-----------	--

X-ON Electronics

Largest Supplier of Electrical and Electronic Components

Click to view similar products for [Headers & Wire Housings](#) category:

Click to view products by [GREENCONN](#) manufacturer:

Other Similar products are found below :

[0015917161](#) [0022155065](#) [57102-F02-18ULF](#) [58102-G61-06LF](#) [582553-1](#) [01.001.5753.1](#) [0050291907](#) [02.125.8002.8](#) [609-3404](#) [61062-3](#)
[CSU011177004](#) [622-0430](#) [622-3653LF](#) [63453-116](#) [636-1030](#) [636-1427](#) [636-3427](#) [636-4007](#) [641938-9](#) [65495-038](#) [65692-001LF](#) [65781-018](#)
[65781-047](#) [65817-010LF](#) [65817-015LF](#) [67095-007LF](#) [67601157](#) [68631-112](#) [68645-018](#) [699319-000](#) [70.362.1628.0](#) [70-4210](#) [70-4226B](#) [70-](#)
[4853B](#) [71.350.2428.0](#) [733-134](#) [733-162](#) [760-3052](#) [MHR-64-VUAL](#) [80.063.4001.1](#) [800-90-001-10-001000](#) [801-43-002-10-013000](#)
[801-43-006-10-002000](#) [803-43-024-10-001000](#) [803-93-012-10-001000](#) [8-1437020-4](#) [819-22-004-30-001101](#) [820-22-006-30-001101](#)
[820-22-008-30-001101](#) [821-22-002-10-001101](#)