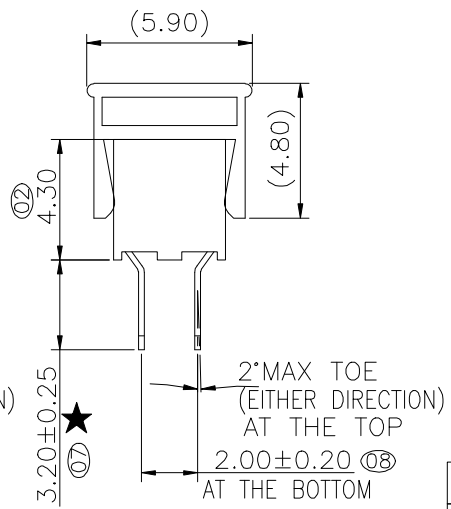
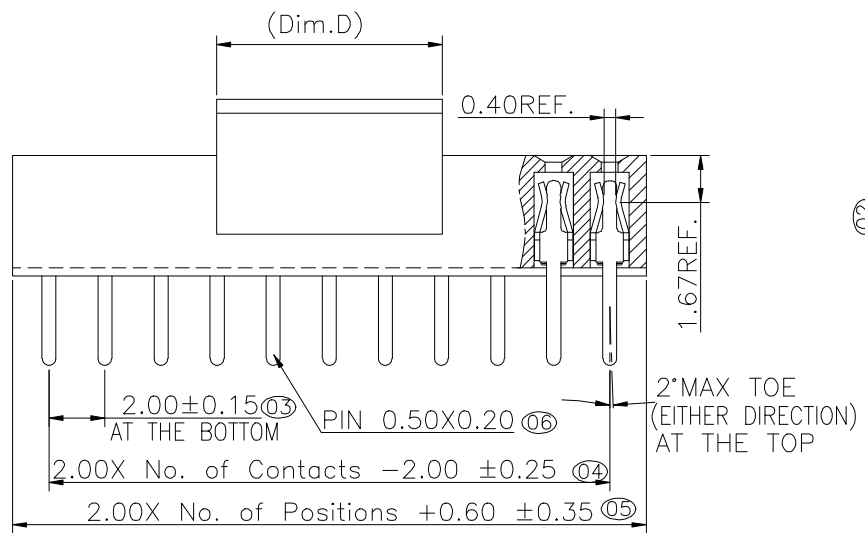
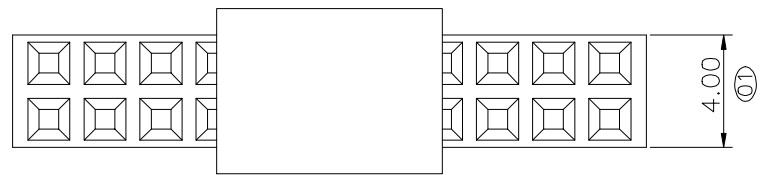


F
E
D
C
B
A

REV.	LOCAS.	DESCRIPTION	DATE	DRAWN
01	NEW	INITIAL RELEASE.	2013.05.25	邱明周
02	△	依業務要求增加車載料號	2022.05.13	郭康
03	△	依業務要求更改車載料號	2022.07.07	何東華

Dim.D	NOTE
4.00mm	02~03Pins
8.05mm	04~40Pins



Specifications
 Current Rating: 2.0Amp
 Insulation Resistance: 1000MΩMin.
 Dielectric Withstanding Voltage 500VAC
 Contact Resistance: 20mΩMax.
 Operating Temperature: -40°C to +105°C
 Materials

Contact Material: Phosphor Bronze
 Insulator Material: High Temperature Thermoplastic, UL 94V-0 Nylon (Halogen Free) or the equivalent material

☆ All materials must meet Greenconn requirement for environment protection.

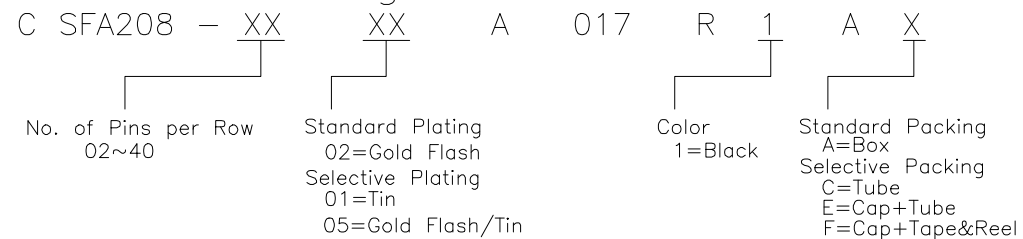
"★": Critical Characteristics. indicates product characteristics, functionalities, and manufacturing processes regarding to customer's specifications

"☆": Safety Features indicates product characteristics, functionalities, and manufacturing processes complying to legal regulations stated by local government



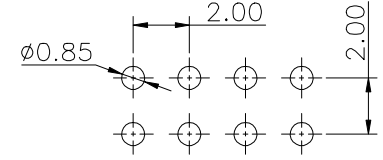
Greenconn P/N	Customer	Remarks
CSFA208-0202A017R1AF	A062	Automotive Connector

Ordering Information



Recommended P.C.Board Layout

(Tolerance: ±0.05)



3RD.ANG PROJ.	DESIGNED: 何東華	DATE: 2022.07.07
UNIT. mm	CHECKED: 張春進	DATE: 2022.07.07
SCALE. 4:1	APPROVED: 邱國廷	DATE: 2022.07.07
PAGE. 1/1		

GENERAL TOLERANCE	
X' ± 5.0'	X. ± 0.30
.X' ± 3.0'	.X ± 0.25
.XX' ± 2.0'	.XX ± 0.15
.XXX' ± 1.0'	.XXX ± 0.10

DWG. NO.	CSFA208-CA17RA
PART NO.	CSFA208-XXXX A017R1AX

TITLE.	2.00 FEMALE HEADER DUAL ROWS DIP TYPE CONNECTOR
--------	---

X-ON Electronics

Largest Supplier of Electrical and Electronic Components

Click to view similar products for [Headers & Wire Housings](#) category:

Click to view products by [GREENCONN](#) manufacturer:

Other Similar products are found below :

[57102-F02-18ULF](#) [58102-G61-06LF](#) [582553-1](#) [009176003701906](#) [01.001.5753.1](#) [0050291907](#) [02.125.8002.8](#) [609-3404](#) [61062-3](#)
[CSU011177004](#) [622-0430](#) [622-3653LF](#) [63453-116](#) [636-1030](#) [636-1427](#) [636-3427](#) [636-4007](#) [641938-9](#) [644827-2](#) [65495-038](#) [65692-001LF](#)
[65781-018](#) [65781-047](#) [65817-010LF](#) [65817-015LF](#) [66207-023LF](#) [67095-007LF](#) [67601157](#) [68631-112](#) [68645-018](#) [699319-000](#)
[M90C108951C](#) [70.362.1628.0](#) [70-4210](#) [70-4226B](#) [70-4853B](#) [707-5028](#) [71.350.2428.0](#) [71961-016LF](#) [733-134](#) [733-162](#) [754199-000](#) [760-](#)
[3052](#) [80.063.4001.1](#) [800-90-001-10-001000](#) [800-90-010-10-002000](#) [801-43-002-10-013000](#) [801-43-006-10-002000](#) [803-41-018-10-001000](#)
[803-43-024-10-001000](#)