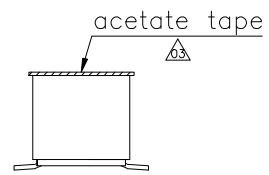
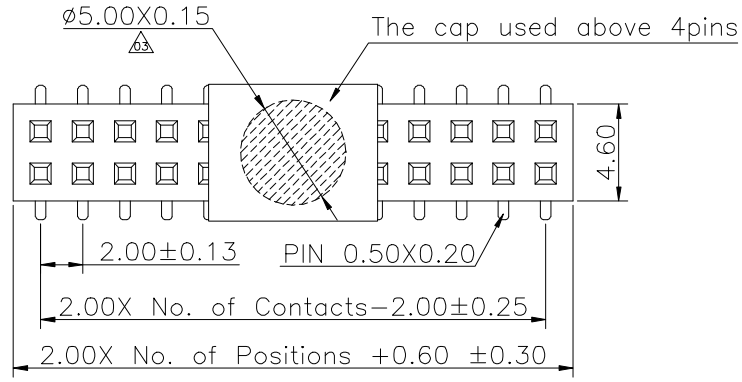
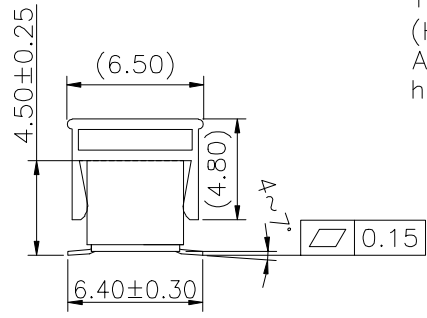
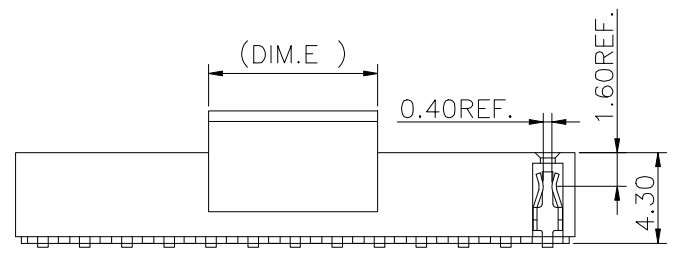


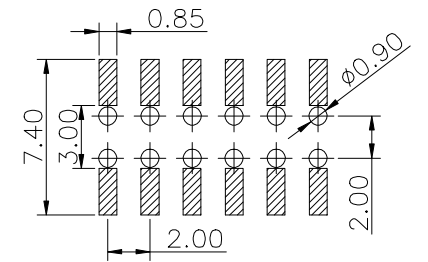
REV.	LOCAS.	DESCRIPTION	DATE	DRAWN
01	NEW	INITIAL RELEASE.	2010.04.02	謝金發
02	△△	依上級要求變更圖號	2012.05.30	李芳忠
03	△△	為改善貼膠紙效率，變更膠紙配方	2013.01.29	邱明周
04	△△	more the choose of cap	2021.09.30	郭康



Specifications
 Current Rating: 2.0Amp
 Insulation Resistance: 1000MΩMin.
 Dielectric Withstanding Voltage: 500VAC
 Contact Resistance: 20mΩMax.
 Operating Temperature: -40°C to +105°C
 Materials
 Contact Material: Phosphor Bronze
 Insulator Material: High Temperature Thermoplastic, UL 94V-0 Nylon (Halogen Free) or the equivalent material
 All materials must meet Greenconn hazardous substances control standards.



Recommended P.C.Board Layout FOR BOTTOM ENTRY (Tolerance: ±0.05)



Ordering Information

C SFC201 - XX XX A 001 R 1 A X

No. of Pins per Row 02~40
 Standard Plating 02=Gold Flash
 Selective Plating 01=Tin 05=Gold Flash/Tin
 Color 1=Black
 Standard Packing C=Tube (05~40PIN)
 Selective Packing A=Box E=Cap+Tube (05~40PIN) F=Cap+Tape&Reel G=Acetate Tape+Tube (05~40PIN) H=Acetate Tape+Tape&Reel

DIM.E	NOTE
4.00	02~03PIN
8.05	04~40PIN

 Website: www.greenconn.com E-mail: sales@greenconn.com	3RD.ANG PROJ. PAGE. 1/1	GENERAL TOLERANCE X: ±5.0' X: ±0.30 .X: ±3.0' .X: ±0.25 .XX: ±2.0' .XX: ±0.15 .XXX: ±1.0' .XXX: ±0.10		DESIGNED: 郭康 DATE: 2021.09.30	DWG. NO. △△ CSFC201-CA1RA PART NO. CSFC201-XXXX A001R1AX	TITLE. 2.00 FEMALE HEADER DUAL ROWS SMT TYPE CONNECTOR
		REV. 04 UNIT. mm SCALE. 3:1	APPROVED: _____ DATE: _____			

X-ON Electronics

Largest Supplier of Electrical and Electronic Components

Click to view similar products for [Headers & Wire Housings](#) category:

Click to view products by [GREENCONN](#) manufacturer:

Other Similar products are found below :

[0015917161](#) [0022155065](#) [57102-F02-18ULF](#) [58102-G61-06LF](#) [582553-1](#) [01.001.5753.1](#) [0050291907](#) [02.125.8002.8](#) [609-3404](#) [61062-3](#)
[CSU011177004](#) [622-0430](#) [622-3653LF](#) [63453-116](#) [636-1030](#) [636-1427](#) [636-3427](#) [636-4007](#) [641938-9](#) [65495-038](#) [65692-001LF](#) [65781-018](#)
[65781-047](#) [65817-010LF](#) [65817-015LF](#) [67095-007LF](#) [67601157](#) [68631-112](#) [68645-018](#) [699319-000](#) [70.362.1628.0](#) [70-4210](#) [70-4226B](#) [70-](#)
[4853B](#) [71.350.2428.0](#) [733-134](#) [733-162](#) [760-3052](#) [MHR-64-VUAL](#) [80.063.4001.1](#) [800-90-001-10-001000](#) [801-43-002-10-013000](#)
[801-43-006-10-002000](#) [803-43-024-10-001000](#) [803-93-012-10-001000](#) [8-1437020-4](#) [819-22-004-30-001101](#) [820-22-006-30-001101](#)
[820-22-008-30-001101](#) [821-22-002-10-001101](#)