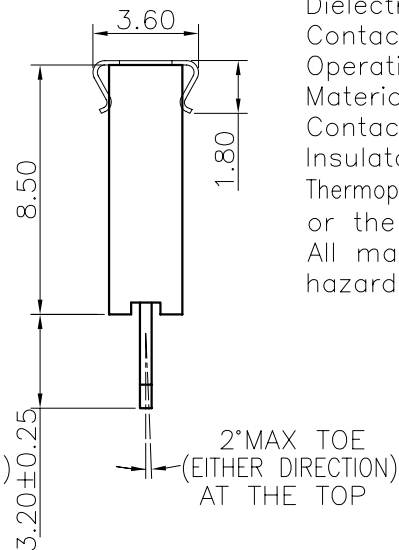
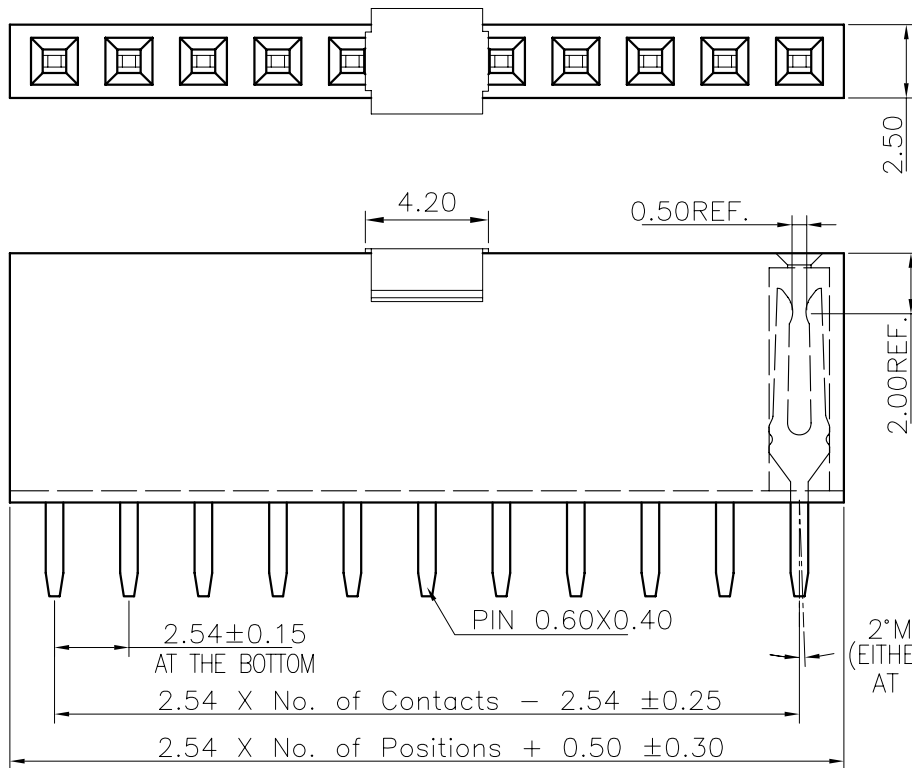


| REV. | LOCAS. | DESCRIPTION | DATE | DRAWN |
|------|--------|-----------------------------------|------------|-------|
| 01 | NEW | BATCH PRODUCTION INITIAL RELEASE. | 2009.07.24 | 車 激 |
| 02 | △ | 依上級要求變更圖號 | 2011.08.11 | 李芳忠 |
| 03 | △△ | 依業務要求變更無齒表達方式 | 2016.03.18 | 馮國東 |

Specifications

Current Rating:3.0Amp
 Insulation Resistance:1000MΩMin.
 Dielectric Withstanding Voltage:600VAC
 Contact Resistance:20mΩMax.
 Operating Temperature:-40°C to +105°C
 Materials
 Contact Material:Phosphor Bronze
 Insulator Material:High Temperature Thermoplastic, UL 94V-0 Nylon 6T(Halogen Free)△△ or the equivalent material
 All materials must meet GREENCONN hazardous substances control standards.

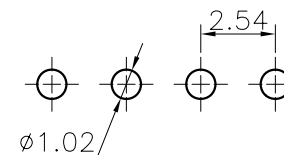


Ordering Information

C SHA101 - XX XX A 001 R 1 A X

No. Of Pins Per Row 02~40
 Standard Plating 02=Gold Flash
 Selective Plating 01=Tin 05=Gold Flash/Tin
 Color 1=Black
 Standard Packing A=Box
 Selective Packing C=Tube E=Cap+Tube F=Cap+Tape&Reel

Recommended P.C.Board Layout
 (Tolerance:±0.05)



格稜股份有限公司
Greenconn Corporation

| GENERAL TOLERANCE | |
|-------------------|-----------|
| X.°±5.0° | X.±0.30 |
| .X°±3.0° | .X±0.25 |
| .XX°±2.0° | .XX±0.15 |
| .XXX°±1.0° | .XXX±0.10 |

| | |
|----------------|------------------|
| DESIGNED: 馮國東 | DATE: 2016.03.18 |
| CHECKED: 曹 熙 | DATE: 2016.03.18 |
| CO SIGNED: 劉北平 | DATE: 2016.03.18 |
| APPROVED: 李 輝 | DATE: 2016.03.18 |

| | |
|----------|-----------------------|
| DWG. NO. | CSHA101-CA1RA |
| PART NO. | CSHA101-XXXX A001R1AX |

| | |
|--------|--|
| TITLE. | 2.54 FEMALE HEADER SINGLE ROW DIP TYPE CONNECTOR |
|--------|--|

| REV. | UNIT. | SCALE. | PAGE. |
|------|-------|--------|-------|
| 03 | mm | 4:1 | 1/1 |

X-ON Electronics

Largest Supplier of Electrical and Electronic Components

Click to view similar products for [Headers & Wire Housings](#) category:

Click to view products by [GREENCONN](#) manufacturer:

Other Similar products are found below :

[0015917161](#) [0022155065](#) [57102-F02-18ULF](#) [58102-G61-06LF](#) [582553-1](#) [01.001.5753.1](#) [0050291907](#) [02.125.8002.8](#) [609-3404](#) [61062-3](#)
[CSU011177004](#) [622-0430](#) [622-3653LF](#) [63453-116](#) [636-1030](#) [636-1427](#) [636-3427](#) [636-4007](#) [641938-9](#) [65495-038](#) [65692-001LF](#) [65781-018](#)
[65781-047](#) [65817-010LF](#) [65817-015LF](#) [67095-007LF](#) [67601157](#) [68631-112](#) [68645-018](#) [699319-000](#) [70.362.1628.0](#) [70-4210](#) [70-4226B](#) [70-](#)
[4853B](#) [71.350.2428.0](#) [733-134](#) [733-162](#) [760-3052](#) [MHR-64-VUAL](#) [80.063.4001.1](#) [800-90-001-10-001000](#) [801-43-002-10-013000](#)
[801-43-006-10-002000](#) [803-43-024-10-001000](#) [803-93-012-10-001000](#) [8-1437020-4](#) [819-22-004-30-001101](#) [820-22-006-30-001101](#)
[820-22-008-30-001101](#) [821-22-002-10-001101](#)