

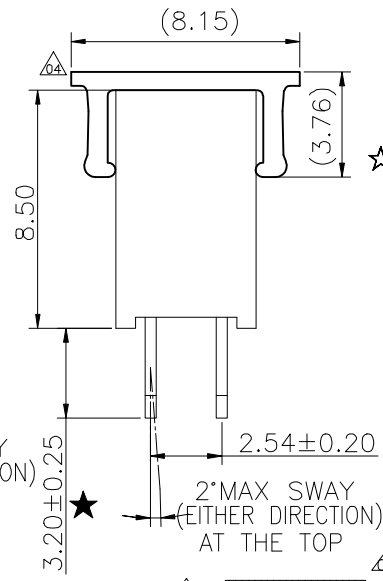
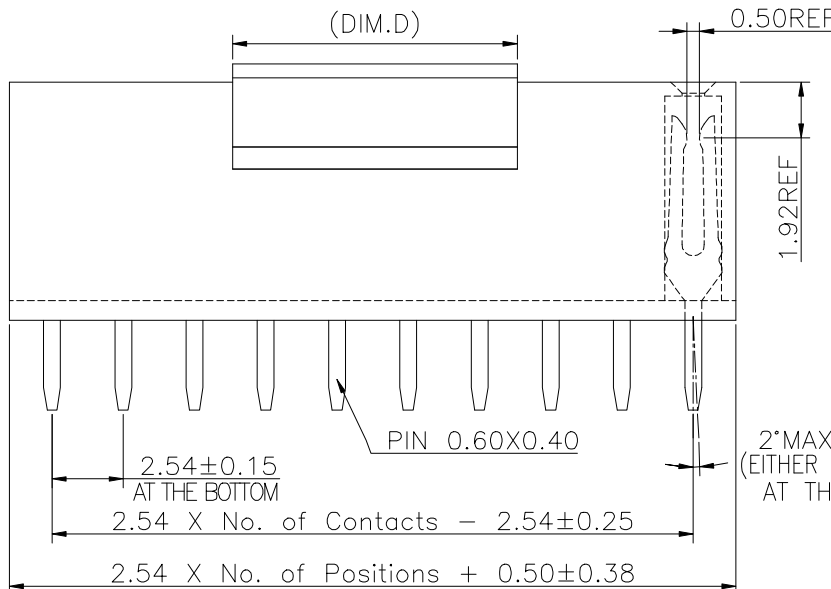
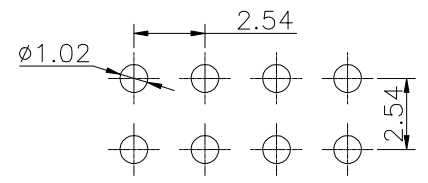
REV.	LOCAS.	DESCRIPTION	DATE	DRAWN
04	△△	依業務要求增加帽子	2019.04.25	何東華
05	△△	依業務要求增加Tray包裝	2021.11.15	何東華
06	△△	依業務要求增加車模料號	2022.03.15	何東華

Dim.D	NOTE
4.00mm	02~03Pin
10.15mm	04~40Pin

Specifications
 Current Rating:3Amp
 Insulation Resistance:1000MΩMin.
 Dielectric Withstanding Voltage:600VAC
 Contact Resistance:20mΩMax.
 Operating Temperature:-40°C to +105°C
 Materials
 Contact Material:Phosphor Bronze
 Insulator Material:High Temperature Thermoplastic, UL 94V-0 Nylon (HalogenFree) or the equivalent material
 ☆All materials must meet Greenconn requirement for environment protection.
 "★": Critical Characteristics, indicates product characteristics, functionalities, and manufacturing processes regarding to customer's specifications
 "☆": Safety Features indicates product characteristics, functionalities, and manufacturing processes complying to legal regulations stated by local government

Greenconn P/N	Customer	Remarks
CSHA201-0202A001R1AB	Z079	Automotive Connector
CSHA201-1002A001R1AB		
CSHA201-1202A001R1AA	N032	

Recommended P.C.Board Layout
 (Tolerance:±0.05)



Ordering Information
 C SHA201 -XX XX A 001 R 1 A X

No. of Pins per Row
02~40

Standard Plating
02=Gold Flash
Selective Plating
01=Tin
05=Gold Flash/Tin

Color
1=Black

Standard Packing
A=Box
Selective Packing
△△ B=Tray
C=Tube
E=Cap+Tube
F=Cap+Tape&Reel
G=Acetate Tape
H=Acetate Tape+Tape&Reel

Acetate tape
(ø5.0X0.15)

 Website:www.greenconn.com E-mail:sales@greenconn.com	3RD.ANG PROJ. PAGE. 1/1	GENERAL TOLERANCE		DESIGNED: 何東華	DATE: 2022.03.15	DWG. NO.	TITLE. 2.54 FEMALE HEADER DUAL ROWS DIP TYPE CONNECTOR
		X'±5.0'	X.±0.30	CHECKED: 张春进	DATE: 2022.03.15	CSHA201-CA1RA	
		.X'±3.0'	.X±0.25	APPROVED: 邱国廷	DATE: 2022.03.15	PART NO. CSHA201-XXXX A001R1AX	
REV. 06	UNIT. mm	SCALE. 4:1					

X-ON Electronics

Largest Supplier of Electrical and Electronic Components

Click to view similar products for [Headers & Wire Housings](#) category:

Click to view products by [GREENCONN](#) manufacturer:

Other Similar products are found below :

[0015917161](#) [0022155065](#) [57102-F02-18ULF](#) [58102-G61-06LF](#) [582553-1](#) [01.001.5753.1](#) [0050291907](#) [02.125.8002.8](#) [609-3404](#) [61062-3](#)
[CSU011177004](#) [622-0430](#) [622-3653LF](#) [63453-116](#) [636-1030](#) [636-1427](#) [636-3427](#) [636-4007](#) [641938-9](#) [65495-038](#) [65692-001LF](#) [65781-018](#)
[65781-047](#) [65817-010LF](#) [65817-015LF](#) [67095-007LF](#) [67601157](#) [68631-112](#) [68645-018](#) [699319-000](#) [70.362.1628.0](#) [70-4210](#) [70-4226B](#) [70-](#)
[4853B](#) [71.350.2428.0](#) [733-134](#) [733-162](#) [760-3052](#) [MHR-64-VUAL](#) [80.063.4001.1](#) [800-90-001-10-001000](#) [801-43-002-10-013000](#)
[801-43-006-10-002000](#) [803-43-024-10-001000](#) [803-93-012-10-001000](#) [8-1437020-4](#) [819-22-004-30-001101](#) [820-22-006-30-001101](#)
[820-22-008-30-001101](#) [821-22-002-10-001101](#)