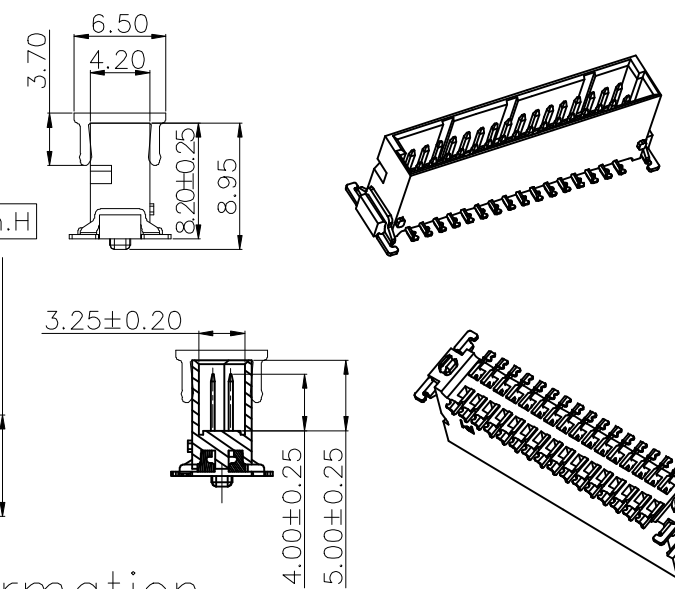


PIN NO.	A	B	C	D	E	F	備註
2X05	5.08	9.50	11.40	8.30	7.30	9.08	
2X06	6.35	10.77	12.67	9.57	8.57	10.35	
2X08	8.89	13.31	15.21	12.11	11.11	12.89	
2X10	11.43	15.85	17.75	14.65	13.65	15.43	
2X13	15.24	19.66	21.56	18.46	17.46	19.24	
2X16	19.05	23.47	25.37	22.27	21.27	23.05	
2X20	24.13	28.55	30.45	27.35	26.35	28.13	
2X23	27.94	32.36	34.26	31.16	30.16	31.94	無塑膠散方
2X25	30.48	34.90	36.80	33.70	32.70	34.48	
2X34	41.91	46.33	48.23	45.13	44.13	45.91	
2X40	49.53	53.95	55.85	52.75	51.75	53.53	



REV.	LOCAS.	DESCRIPTION	DATE	DRAWN
05	△A	成品图的柱子与塑胶图的柱子形状对不上，核实修正下	2020.01.17	柯東華
06	△B	客户要求修改电气特性	2021.04.30	柯東華

Specifications
 Current Rating: 1.70Amp/PIN $\triangle A$
 $\triangle A$ Insulation Resistance: 10000M Ω Min.
 Dielectric Withstanding Voltage: 500VAC
 Contact Resistance: 25m Ω Max.
 Operating Temperature: -55°C to +125°C
 Materials
 Contact Material: Copper Alloy
 Insulator Material: High TemperatureT hermoplastic, UL 94V-0 LCP or the equivalent material
 Colour: Black
 All materials must meet Greenconn
 ☆hazardous substances control standards.

"★": Critical Characteristics.
 "★": indicates product characteristics, functionalities, and manufacturing processes regarding to customer's specifications
 "☆": Safety Features
 "☆": indicates product characteristics, functionalities, and manufacturing processes complying to legal regulations stated by local government

Greenconn P/N	Customer	Remarks
$\triangle A$ GBEC201-1375B003C1SF	F038	Automotive Connector
$\triangle A$ GBEC201-0879B003C1SF	F038	Automotive Connector

Ordering Information

GBEC201 - XX XX B003 C 1 S X

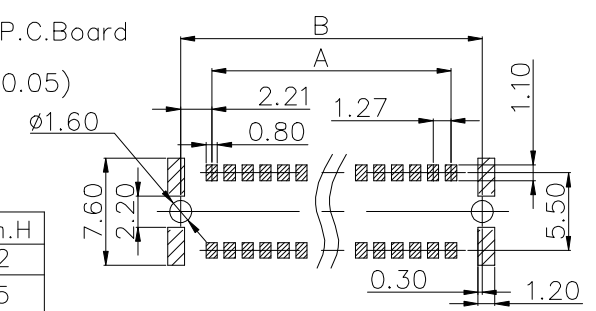
No. of Pins per Row
 05,06,08,10,13,16,
 20,23,25,34,40

Standard Plating
 79=5u"Au/80~160u"Matte Tin
 Selective Plating
 34=10u"Gold/Gold Flash
 05=Gold Flash/Tin
 78=30u"Gold/Matte Tin
 01=Tin

Color
 1=Black

Standard Packing
 C=tube
 E=cap+tube
 Selective Packing
 F=cap+tape&reel

Recommended P.C.Board Layout
 (Tolerance: ± 0.05)



Pin No.	Dim.H
≤ 25 pin	0.12
> 25 pin	0.15

<p>Website: www.greenconn.com E-mail: sales@greenconn.com</p>	3RD.ANG PROJ. 	GENERAL TOLERANCE		DESIGNED: 柯東華 DATE: 2021.04.30	DWG. NO. GBEC201-CB3CS	TITLE. Pitch 1.27 male Connector SMC Q TYPE SMT TYPE 180'
		REV. 06 UNIT. mm SCALE. 2:1	PAGE. 1/1			
APPROVED:		DATE:				

X-ON Electronics

Largest Supplier of Electrical and Electronic Components

Click to view similar products for [Headers & Wire Housings](#) category:

Click to view products by [GREENCONN](#) manufacturer:

Other Similar products are found below :

[0015917161](#) [0022155065](#) [57102-F02-18ULF](#) [58102-G61-06LF](#) [582553-1](#) [01.001.5753.1](#) [0050291907](#) [02.125.8002.8](#) [609-3404](#) [61062-3](#)
[CSU011177004](#) [622-0430](#) [622-3653LF](#) [63453-116](#) [636-1030](#) [636-1427](#) [636-3427](#) [636-4007](#) [641938-9](#) [65495-038](#) [65692-001LF](#) [65781-018](#)
[65781-047](#) [65817-010LF](#) [65817-015LF](#) [67095-007LF](#) [67601157](#) [68631-112](#) [68645-018](#) [699319-000](#) [70.362.1628.0](#) [70-4210](#) [70-4226B](#) [70-](#)
[4853B](#) [71.350.2428.0](#) [733-134](#) [733-162](#) [760-3052](#) [MHR-64-VUAL](#) [80.063.4001.1](#) [800-90-001-10-001000](#) [801-43-002-10-013000](#)
[801-43-006-10-002000](#) [803-43-024-10-001000](#) [803-93-012-10-001000](#) [8-1437020-4](#) [819-22-004-30-001101](#) [820-22-006-30-001101](#)
[820-22-008-30-001101](#) [821-22-002-10-001101](#)