

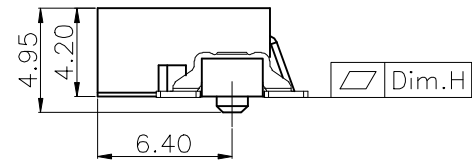
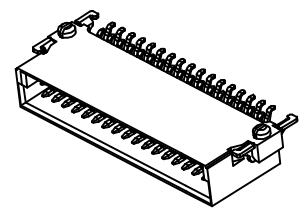
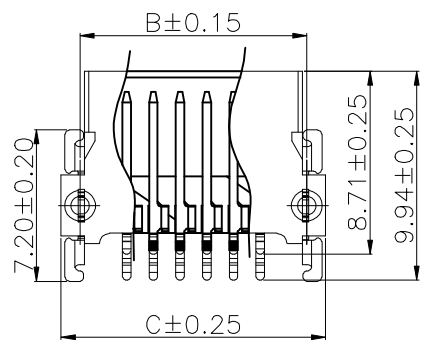
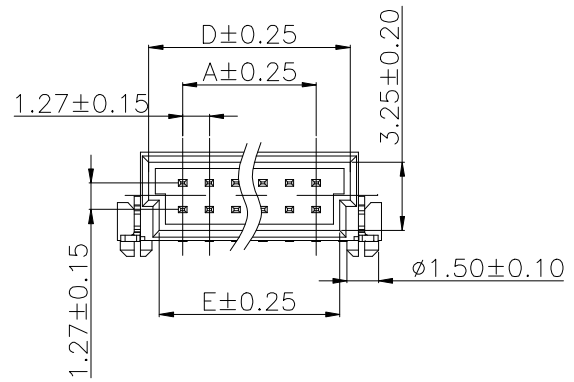
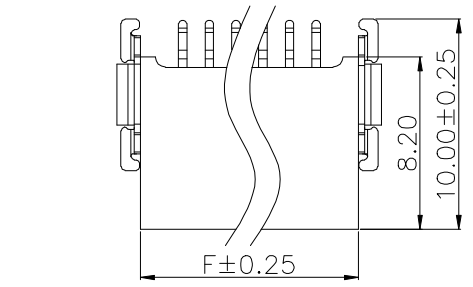
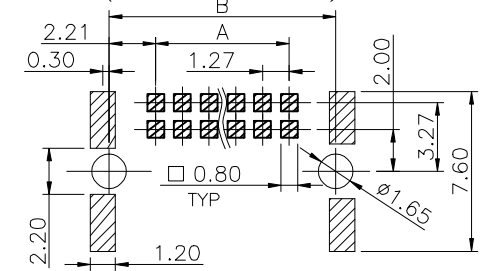
REV.	LOCAS.	DESCRIPTION	DATE	DRAWN
04	△△	依業務要求，新增可生產PIN數(R-N181202)	2019.01.04	馮國康
05	△△	依客戶要求修改電氣特性	2021.04.29	何東華

Specifications

Current Rating:1.70Amp/PIN, △
 Insulation Resistance:10000M Ω Min.
 Dielectric Withstanding Voltage:500VAC
 Contact Resistance:25m Ω Max.
 Operating Temperature:-55°C to +125°C
 Materials
 Contact Material:Copper Alloy
 Insulator Material:High Temperature Thermoplastic, UL 94V-0 LCP or the equivalent material
 Colour:Black
 All materials must meet Greenconn requirement for environment protection.

PIN NO.	A	B	C	D	E	F
△△ 2X05	5.08	9.50	11.40	8.30	7.30	9.08
2X06	6.35	10.77	12.67	9.57	8.57	10.35
△△ 2X08	8.89	13.31	15.21	12.11	11.11	12.89
△△ 2X10	11.43	15.85	17.75	14.65	13.65	15.43
2X13	15.24	19.66	21.56	18.46	17.46	19.24
△△ 2X16	19.05	23.47	25.37	22.27	21.27	23.05
△△ 2X20	24.13	28.55	30.45	27.35	26.35	28.13
2X25	30.48	34.90	36.80	33.70	32.70	34.48
△△ 2X34	41.91	46.33	48.23	45.13	44.13	45.91
△△ 2X40	49.53	53.95	55.85	52.75	51.75	53.53

Recommended P.C.Board Layout (Tolerance:±0.05)



Pin NO.	Dim.H
≤25pin	0.12
>25pin	0.15

Ordering Information

G BED202 - XX XX B 001 C 1 A X

No. of Pins per Row: 05,06,08,10,13,16,20,25,34,40
 Standard Plating: 79=5u"Au/80~160u"Matte Tin, 34=10u"Gold/Gold Flash, 05=Gold flash/Tin
 Standard Packing: C=Tube, Selective Packing, D=Tape&Reel



3RD.ANG PROJ.
 SCALE: 3:1
 PAGE: 1/1

GENERAL TOLERANCE	
X.*±5.0"	X.±0.30
.X'±3.0"	.X±0.25
.XX'±2.0"	.XX±0.15
.XXX'±1.0"	.XXX±0.10

DESIGNED: 何東華
 CHECKED:
 APPROVED:

DATE: 2021.04.29
 DATE:
 DATE:

DWG. NO. GBED202-CB1CA
 PART NO. GBED202-XXXXB001C1AX

TITLE. Pitch1.27 male Connector SMC B Type 90° SMT Type

X-ON Electronics

Largest Supplier of Electrical and Electronic Components

Click to view similar products for [Headers & Wire Housings](#) category:

Click to view products by [GREENCONN](#) manufacturer:

Other Similar products are found below :

[0015917161](#) [0022155065](#) [57102-F02-18ULF](#) [58102-G61-06LF](#) [582553-1](#) [01.001.5753.1](#) [0050291907](#) [02.125.8002.8](#) [609-3404](#) [61062-3](#)
[CSU011177004](#) [622-0430](#) [622-3653LF](#) [63453-116](#) [636-1030](#) [636-1427](#) [636-3427](#) [636-4007](#) [641938-9](#) [65495-038](#) [65692-001LF](#) [65781-018](#)
[65781-047](#) [65817-010LF](#) [65817-015LF](#) [67095-007LF](#) [67601157](#) [68631-112](#) [68645-018](#) [699319-000](#) [70.362.1628.0](#) [70-4210](#) [70-4226B](#) [70-](#)
[4853B](#) [71.350.2428.0](#) [733-134](#) [733-162](#) [760-3052](#) [MHR-64-VUAL](#) [80.063.4001.1](#) [800-90-001-10-001000](#) [801-43-002-10-013000](#)
[801-43-006-10-002000](#) [803-43-024-10-001000](#) [803-93-012-10-001000](#) [8-1437020-4](#) [819-22-004-30-001101](#) [820-22-006-30-001101](#)
[820-22-008-30-001101](#) [821-22-002-10-001101](#)