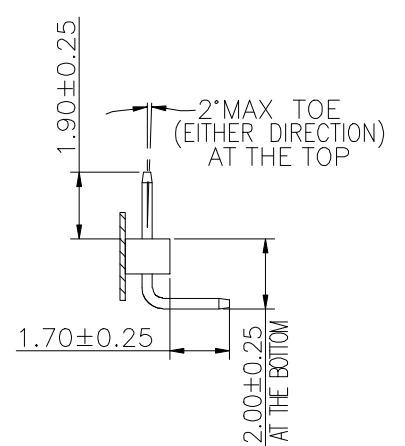
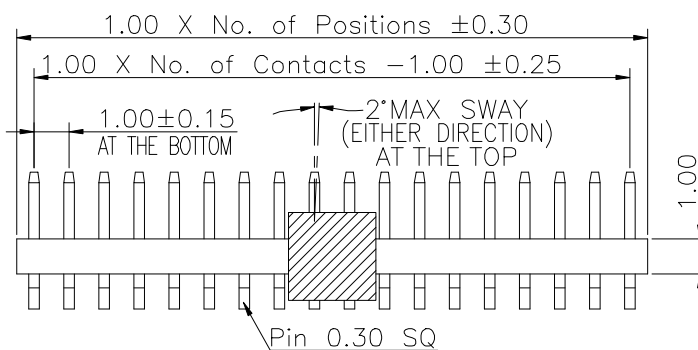
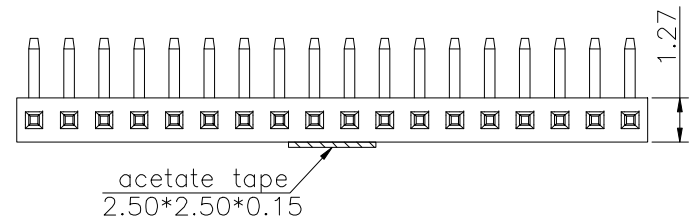


REV.	LOCAS.	DESCRIPTION	DATE	DRAWN
01	NEW	BATCH PRODUCTION INITIAL RELEASE.	2021.09.13	何東華



Specifications  
 Current Rating:1.0Amp  
 Insulation Resistance:1000M $\Omega$ Min.  
 Dielectric Withstanding Voltage:300VAC  
 Contact Resistance:20m $\Omega$ Max.  
 Operating Temperature:-40°C to +105°C  
 Materials  
 Contact Material:Copper alloy  
 High Temperature Thermoplastic: Suitable for  
 Reflow Soldering Process(LCP)  
 All materials must meet Greenconn  
 requirement for environment protection.

### Ordering Information

G PCB101 - XX XX A 056 X X X X

No. of Pins per Row  
02~40

Standard Plating  
02=Gold Flash  
Selective Plating  
01=Tin

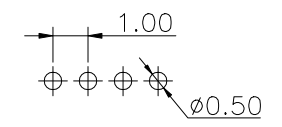
Insulator Material  
C=LCP

Color  
1=Black  
5=Natural

Contact Material  
A=Phosphor Bronze

Standard Packing  
C=Tube(A00)  
Selective Packing  
A=Box  
G=Acetate Tape+Tube(A00)  
H=Acetate Tape+Tape&Reel

Recommended P.C.Board  
Layout  
(Tolerance: $\pm 0.05$ )



 Website:www.greenconn.com E-mail:sales@greenconn.com	3RD.ANG PROJ.  PAGE. 1/1	GENERAL TOLERANCE		DESIGNED: 何東華 DATE: 2021.09.13	DWG. NO. GPCB101-CA056	TITLE. 1.00 PIN HEADER SINGLE ROW R/A TYPE CONNECTOR		
		X'±5.0'	X.±0.30				CHECKED: 張春進 DATE: 2021.09.13	PART NO. GPCB101-XXXX A056XXXX
		.X'±3.0'	.X±0.25					
		.XX'±2.0'	.XX±0.15					
.XXX'±1.0'	.XXX±0.10	APPROVED: 邱國廷 DATE: 2021.09.13						
REV. 01	UNIT. mm	SCALE. 5:1						

## X-ON Electronics

Largest Supplier of Electrical and Electronic Components

*Click to view similar products for [Headers & Wire Housings](#) category:*

*Click to view products by [GREENCONN](#) manufacturer:*

Other Similar products are found below :

[0015917161](#) [0022155065](#) [57102-F02-18ULF](#) [58102-G61-06LF](#) [582553-1](#) [01.001.5753.1](#) [0050291907](#) [02.125.8002.8](#) [609-3404](#) [61062-3](#)  
[CSU011177004](#) [622-0430](#) [622-3653LF](#) [63453-116](#) [636-1030](#) [636-1427](#) [636-3427](#) [636-4007](#) [641938-9](#) [65495-038](#) [65692-001LF](#) [65781-018](#)  
[65781-047](#) [65817-010LF](#) [65817-015LF](#) [67095-007LF](#) [67601157](#) [68631-112](#) [68645-018](#) [699319-000](#) [70.362.1628.0](#) [70-4210](#) [70-4226B](#) [70-](#)  
[4853B](#) [71.350.2428.0](#) [733-134](#) [733-162](#) [760-3052](#) [MHR-64-VUAL](#) [80.063.4001.1](#) [800-90-001-10-001000](#) [801-43-002-10-013000](#)  
[801-43-006-10-002000](#) [803-43-024-10-001000](#) [803-93-012-10-001000](#) [8-1437020-4](#) [819-22-004-30-001101](#) [820-22-006-30-001101](#)  
[820-22-008-30-001101](#) [821-22-002-10-001101](#)