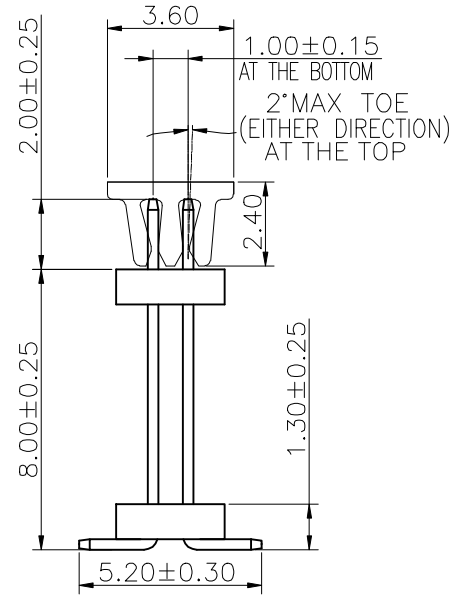
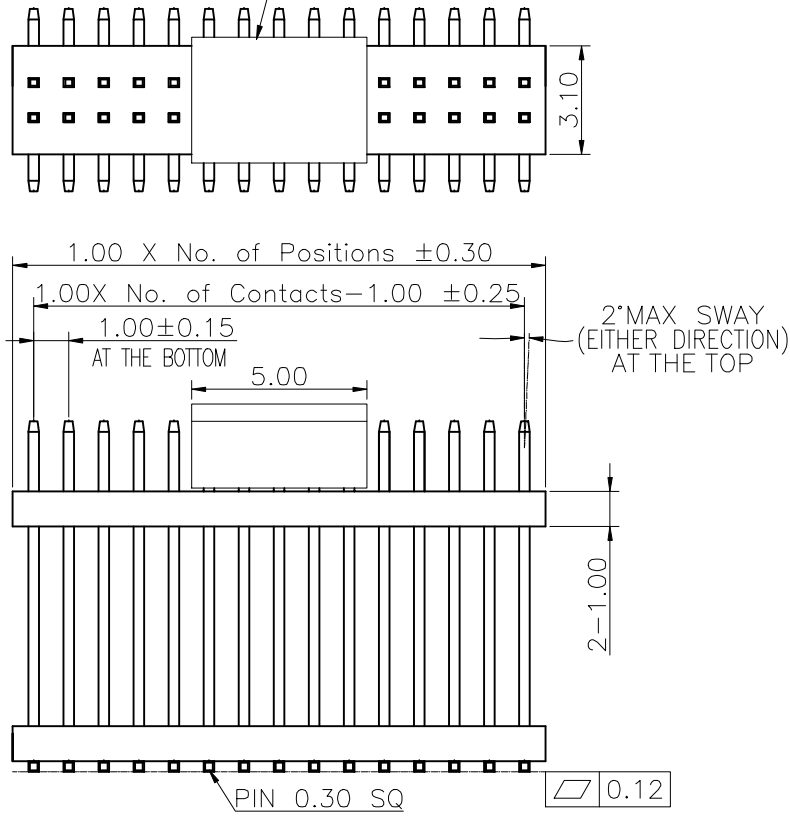


無合適膠管

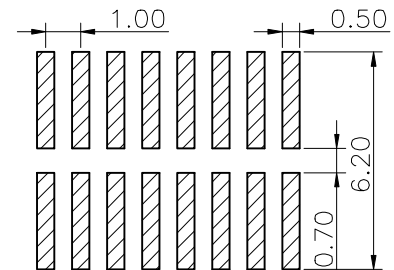
The cap used above 5 pins

REV.	LOCAS.	DESCRIPTION	DATE	DRAWN
01	NEW	BATCH PRODUCTION INITIAL RELEASE.	2020.10.13	何東華

Specifications
 Current Rating:1Amp
 Insulation Resistance:1000MΩMin.
 Dielectric Withstanding Voltage:300VAC
 Contact Resistance:20mΩMax.
 Operating Temperature:-40°C to +105°C
 Materials
 Contact Material:Phosphor Bronze
 Insulator Material:High Temperature Thermoplastic, UL 94V-0 LCP or the equivalent material
 All materials must meet GREENCONN hazardous substances control standards.



Recommended P.C.Board Layout
(Tolerance:±0.05)



Ordering Information

G PCC205 - XX XX A 038 C 1 S X

No. of Pins per Row 02~40
 Standard Plating 02=Gold Flash
 Selective Plating 01=Tin
 Color 1=Black
 Standard Packing C=Tube
 Selective Packing E=Cap+Tube
 F=Cap+Tape&Reel
 D=Tape&Reel

格稜股份有限公司 Greenconn Corporation			GENERAL TOLERANCE		DESIGNED: 何東華	DATE: 2020.10.13	DWG. NO. GPCC205-CA38CS	TITLE. 1.00 PIN HEADER DUAL ROWS SMT TYPE CONNECTOR		
			X: ±5.0'	X: ±0.30	CHECKED:	DATE:				
REV. 01	UNIT. mm	SCALE. 5:1	PAGE. 1/1		.X' ±3.0'	.X ±0.25	PART NO. GPCC205-XXXX A038C1SX			
					.XX' ±2.0'	.XX ±0.15			CO SIGNED: 張世霖	DATE: 2020.10.13
					.XXX' ±1.0'	.XXX ±0.10			APPROVED:	DATE:

X-ON Electronics

Largest Supplier of Electrical and Electronic Components

Click to view similar products for [Headers & Wire Housings](#) category:

Click to view products by [GREENCONN](#) manufacturer:

Other Similar products are found below :

[0015917161](#) [0022155065](#) [57102-F02-18ULF](#) [58102-G61-06LF](#) [582553-1](#) [01.001.5753.1](#) [0050291907](#) [02.125.8002.8](#) [609-3404](#) [61062-3](#)
[CSU011177004](#) [622-0430](#) [622-3653LF](#) [63453-116](#) [636-1030](#) [636-1427](#) [636-3427](#) [636-4007](#) [641938-9](#) [65495-038](#) [65692-001LF](#) [65781-018](#)
[65781-047](#) [65817-010LF](#) [65817-015LF](#) [67095-007LF](#) [67601157](#) [68631-112](#) [68645-018](#) [699319-000](#) [70.362.1628.0](#) [70-4210](#) [70-4226B](#) [70-](#)
[4853B](#) [71.350.2428.0](#) [733-134](#) [733-162](#) [760-3052](#) [MHR-64-VUAL](#) [80.063.4001.1](#) [800-90-001-10-001000](#) [801-43-002-10-013000](#)
[801-43-006-10-002000](#) [803-43-024-10-001000](#) [803-93-012-10-001000](#) [8-1437020-4](#) [819-22-004-30-001101](#) [820-22-006-30-001101](#)
[820-22-008-30-001101](#) [821-22-002-10-001101](#)