

F

E

D

C

B

A

F

E

D

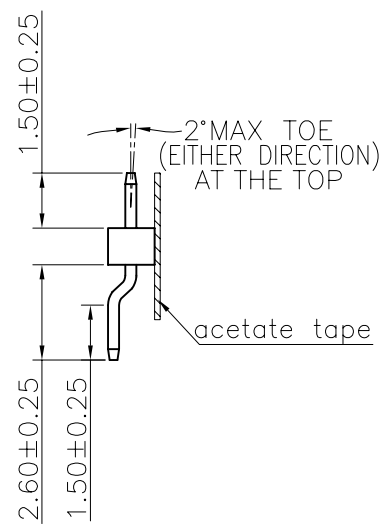
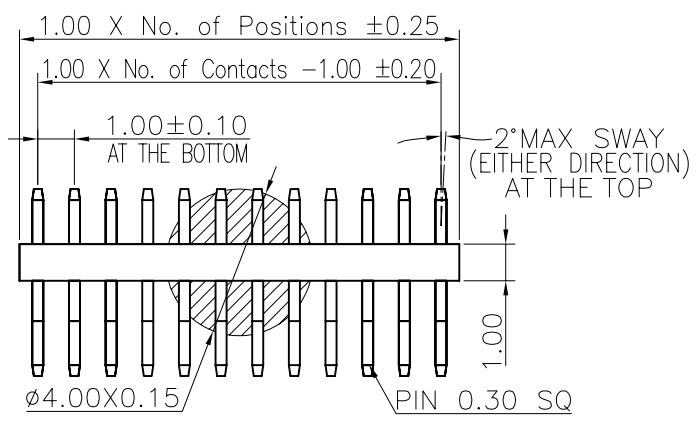
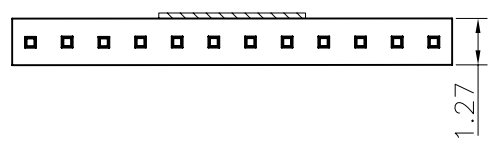
C

B

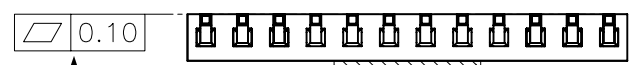
A

REV.	LOCAS.	DESCRIPTION	DATE	DRAWN
01	NEW	BATCH PRODUCTION INITIAL RELEASE.	2010.05.24	孫元
02	△2	變更新圖號	2010.12.14	黃明霞
03	△3	依業務要求增加車載產品	2018.09.13	何東華

Greenconn P/N	Customer	Remarks
GPCD101-0302A003C1AD	G005	Automotive Connector
GPCD101-0302A003C1AH	G005	Automotive Connector



Specifications  
 Current Rating:1.0Amp  
 Insulation Resistance:1000MΩMin.  
 Dielectric Withstanding Voltage:300VAC  
 Contact Resistance:20mΩMax.  
 Operating Temperature:-40°C to +105°C  
 Materials  
 Contact Material:Phosphor Bronze  
 Insulator Material:High Temperature Thermoplastic, UL 94V-0 LCP or the equivalent material  
 ☆All materials must meet GREENCONN hazardous substances control standards.  
 "★": Critical Characteristics.  
 "★":indicates product characteristics, functionalities, and manufacturing processes regarding to customer's specifications  
 "☆": Safety Features  
 "☆":indicates product characteristics, functionalities, and manufacturing processes complying to legal regulations stated by local government



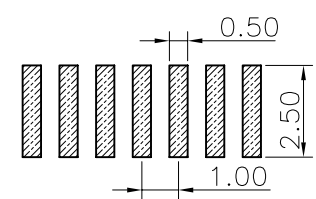
The acetate tape used above 4Pins

### Ordering Information

G PCD101 - XX XX A 003 C 1 A X

No. of Pins per Row 02~40  
 Standard Plating 02=Gold Flash Selective Plating 01=Tin  
 Color 1=Black  
 Standard Packing C=Tube(03~40pin)  
 Selective Packing A=Box D=Tape&Reel G=Acetate Tape+Tube(無合適膠管) H=Acetate Tape+Tape&Reel

Recommended P.C.Board Layout  
 (Tolerance:±0.05)



格稜股份有限公司  
**Greenconn Corporation**

GENERAL TOLERANCE	
X.*±5.0°	X.±0.30
.X*±3.0°	.X±0.25
.XX*±2.0°	.XX±0.15
.XXX*±1.0°	.XXX±0.10

DESIGNED: 何東華	DATE: 2018.09.13
CHECKED:	DATE:
CO SIGNED: 價偉鵬	DATE: 2018.09.13
APPROVED:	DATE:

DWG. NO.	GPCD101-CA3CA
PART NO.	GPCD101-XXXX A003C1AX

TITLE.  
 1.00 PIN HEADER  
 SINGLE ROW SMT TYPE  
 CONNECTOR

REV.	UNIT.	SCALE.	PAGE.
03	mm	5:1	1/1

## X-ON Electronics

Largest Supplier of Electrical and Electronic Components

*Click to view similar products for [Headers & Wire Housings](#) category:*

*Click to view products by [GREENCONN](#) manufacturer:*

Other Similar products are found below :

[0015917161](#) [0022155065](#) [57102-F02-18ULF](#) [58102-G61-06LF](#) [582553-1](#) [01.001.5753.1](#) [0050291907](#) [02.125.8002.8](#) [609-3404](#) [61062-3](#)  
[CSU011177004](#) [622-0430](#) [622-3653LF](#) [63453-116](#) [636-1030](#) [636-1427](#) [636-3427](#) [636-4007](#) [641938-9](#) [65495-038](#) [65692-001LF](#) [65781-018](#)  
[65781-047](#) [65817-010LF](#) [65817-015LF](#) [67095-007LF](#) [67601157](#) [68631-112](#) [68645-018](#) [699319-000](#) [70.362.1628.0](#) [70-4210](#) [70-4226B](#) [70-](#)  
[4853B](#) [71.350.2428.0](#) [733-134](#) [733-162](#) [760-3052](#) [MHR-64-VUAL](#) [80.063.4001.1](#) [800-90-001-10-001000](#) [801-43-002-10-013000](#)  
[801-43-006-10-002000](#) [803-43-024-10-001000](#) [803-93-012-10-001000](#) [8-1437020-4](#) [819-22-004-30-001101](#) [820-22-006-30-001101](#)  
[820-22-008-30-001101](#) [821-22-002-10-001101](#)