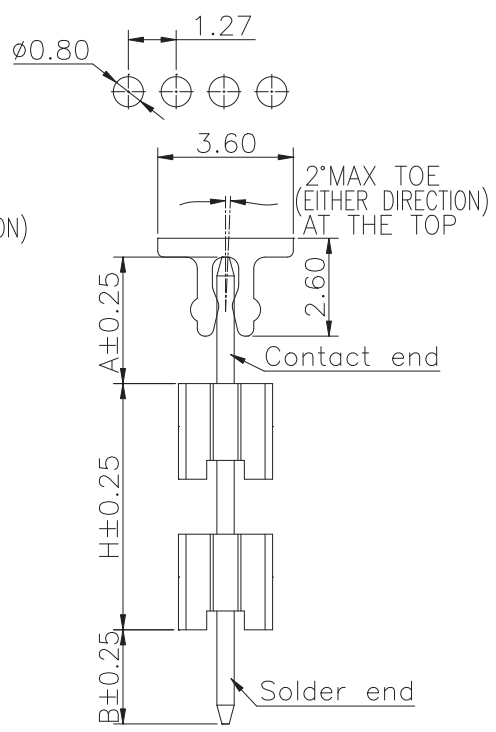


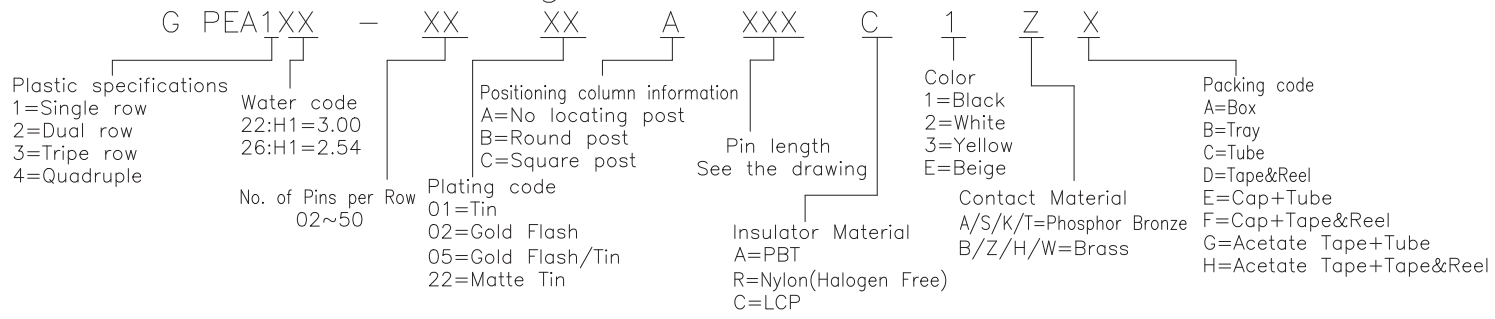
Recommended P.C.Board Layout
(Tolerance:±0.05)



Specifications
 Current Rating:1.0Amp
 Insulation Resistance:1000MΩMin.
 Dielectric Withstanding Voltage:300VAC
 Contact Resistance:20mΩMax.
 Operating Temperature:-40°C to +105°C
 Materials
 Contact Material:Brass
 Insulator Material:High Temperature Thermoplastic, UL 94V-0 LCP or the equivalent material
 All materials must meet Greenconn hazardous substances control standards.

| No. of PIN/ROW | Dimension Information | | No. of PIN/ROW | Dimension Information | |
|----------------|-----------------------|-------|----------------|-----------------------|-------|
| | L | M | | L | M |
| 02 | 2.54 | 1.27 | 27 | 34.29 | 33.02 |
| 03 | 3.81 | 2.54 | 28 | 35.56 | 34.29 |
| 04 | 5.08 | 3.81 | 29 | 36.83 | 35.56 |
| 05 | 6.35 | 5.08 | 30 | 38.10 | 36.83 |
| 06 | 7.62 | 6.35 | 31 | 39.37 | 38.10 |
| 07 | 8.89 | 7.62 | 32 | 40.64 | 39.37 |
| 08 | 10.16 | 8.89 | 33 | 41.91 | 40.64 |
| 09 | 11.43 | 10.16 | 34 | 43.18 | 41.91 |
| 10 | 12.70 | 11.43 | 35 | 44.45 | 43.18 |
| 11 | 13.97 | 12.70 | 36 | 45.72 | 44.45 |
| 12 | 15.24 | 13.97 | 37 | 46.99 | 45.72 |
| 13 | 16.51 | 15.24 | 38 | 48.26 | 46.99 |
| 14 | 17.78 | 16.51 | 39 | 49.53 | 48.26 |
| 15 | 19.05 | 17.78 | 40 | 50.80 | 49.53 |
| 16 | 20.32 | 19.05 | 41 | 52.07 | 50.80 |
| 17 | 21.59 | 20.32 | 42 | 53.34 | 52.07 |
| 18 | 22.86 | 21.59 | 43 | 54.61 | 53.34 |
| 19 | 24.13 | 22.86 | 44 | 55.88 | 54.61 |
| 20 | 25.40 | 24.13 | 45 | 57.15 | 55.88 |
| 21 | 26.67 | 25.40 | 46 | 58.42 | 57.15 |
| 22 | 27.94 | 26.67 | 47 | 59.69 | 58.42 |
| 23 | 29.21 | 27.94 | 48 | 60.96 | 59.69 |
| 24 | 30.48 | 29.21 | 49 | 62.23 | 60.96 |
| 25 | 31.75 | 30.48 | 50 | 63.50 | 62.23 |
| 26 | 33.02 | 31.75 | | | |

Ordering Information



格稜股份有限公司
Greenconn Corporation

| GENERAL TOLERANCE | |
|-------------------|-----------|
| X.*±5.0° | X.±0.30 |
| .X*±3.0° | .X±0.25 |
| .XX*±2.0° | .XX±0.15 |
| .XXX*±1.0° | .XXX±0.10 |

DWG. NO.
GPEA1XX-CAXXCZ

PART NO.
GPEA1XX-XX XX AXXXC1ZX

TITLE.
1.27 PIN HEADER
SINGLE ROW DIP TYPE
CONNECTOR

| | | | | |
|---------|----------|------------|-----------|--|
| REV. 01 | UNIT. mm | SCALE. 5:1 | PAGE. 1/1 | |
|---------|----------|------------|-----------|--|

X-ON Electronics

Largest Supplier of Electrical and Electronic Components

Click to view similar products for [Headers & Wire Housings](#) category:

Click to view products by [GREENCONN](#) manufacturer:

Other Similar products are found below :

[0015917161](#) [0022155065](#) [57102-F02-18ULF](#) [58102-G61-06LF](#) [582553-1](#) [01.001.5753.1](#) [0050291907](#) [02.125.8002.8](#) [609-3404](#) [61062-3](#)
[CSU011177004](#) [622-0430](#) [622-3653LF](#) [63453-116](#) [636-1030](#) [636-1427](#) [636-3427](#) [636-4007](#) [641938-9](#) [65495-038](#) [65692-001LF](#) [65781-018](#)
[65781-047](#) [65817-010LF](#) [65817-015LF](#) [67095-007LF](#) [67601157](#) [68631-112](#) [68645-018](#) [699319-000](#) [70.362.1628.0](#) [70-4210](#) [70-4226B](#) [70-](#)
[4853B](#) [71.350.2428.0](#) [733-134](#) [733-162](#) [760-3052](#) [MHR-64-VUAL](#) [80.063.4001.1](#) [800-90-001-10-001000](#) [801-43-002-10-013000](#)
[801-43-006-10-002000](#) [803-43-024-10-001000](#) [803-93-012-10-001000](#) [8-1437020-4](#) [819-22-004-30-001101](#) [820-22-006-30-001101](#)
[820-22-008-30-001101](#) [821-22-002-10-001101](#)