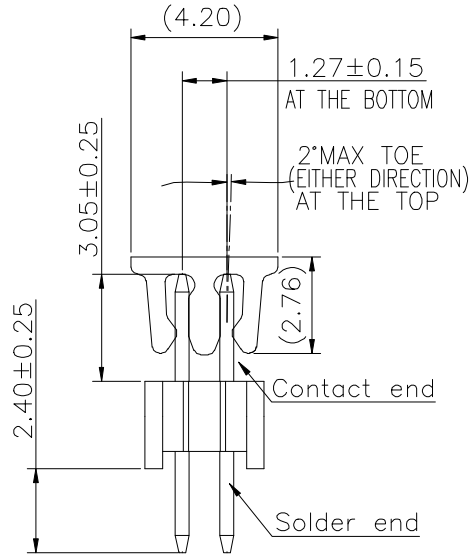
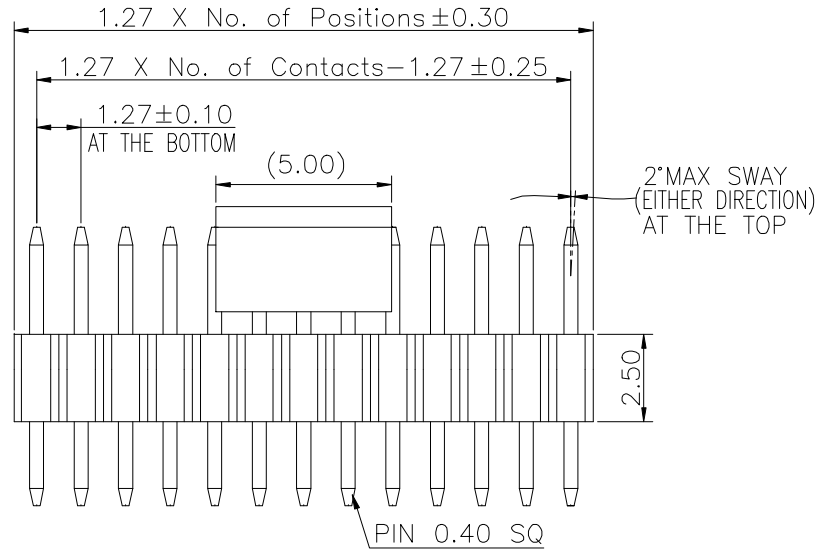
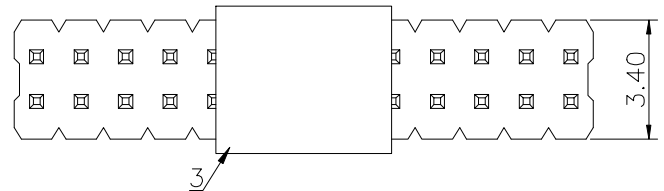
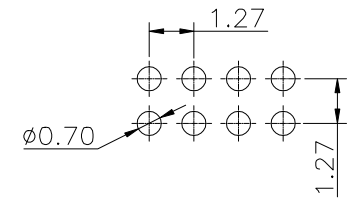


REV.	LOCAS.	DESCRIPTION	DATE	DRAWN
01	NEW	BATCH PRODUCTION INITIAL RELEASE.	2022.10.11	郭康

Specifications
 Current Rating:1.0Amp
 Insulation Resistance:1000MΩMin.
 Dielectric Withstanding Voltage:300VAC
 Contact Resistance:20mΩMax.
 Operating Temperature:-40°C to +105°C
 Materials
 Contact Material:Copper alloy
 High Temperature Thermoplastic: Suitable for
 Reflow Soldering Process (LCP, Nylon
 HTN,NYLON-10T)
 All materials must meet Greenconn
 hazardous substances control standards.



Recommended P.C.Board
 Layout
 (Tolerance:±0.05)



Ordering Information

G PEA212 - XX XX A 083 X X X X

No. of Pins per Row
02~50

Standard Plating
02=Gold Flash
Selective Plating
01=Tin
05=Gold Flash/Tin

Insulator Material
R=NYLON-HTN
C=LCP
T=NYLON-10T

Color
1=Black
5=Natural

Contact Material
A=Phosphor Bronze
B=Brass

Standard Packing
A=box
Selective Packing
C=Tube(03~50PIN)
D=Tape&Reel
E=CAP+Tube(03~50PIN)
F=CAP+Tape&Reel



3RD.ANG
PROJ.
PAGE. 1/1

GENERAL TOLERANCE	
X' ±5.0'	X. ±0.30
.X' ±3.0'	.X ±0.25
.XX' ±2.0'	.XX ±0.15
.XXX' ±1.0'	.XXX ±0.10

DESIGNED: 郭康
 CHECKED: 張春進
 APPROVED: 邱國廷

DATE: 2022.10.11
 DATE: 2022.10.11
 DATE: 2022.10.11

DWG. NO.
GPEA212-CA083
 PART NO.
GPEA212-XXXX A083XXXX

TITLE.
1.27 PIN HEADER
DUAL ROWS DIP TYPE
CONNECTOR

X-ON Electronics

Largest Supplier of Electrical and Electronic Components

Click to view similar products for [Headers & Wire Housings](#) category:

Click to view products by [GREENCONN](#) manufacturer:

Other Similar products are found below :

[0015917161](#) [0022155065](#) [57102-F02-18ULF](#) [58102-G61-06LF](#) [582553-1](#) [01.001.5753.1](#) [0050291907](#) [02.125.8002.8](#) [609-3404](#) [61062-3](#)
[CSU011177004](#) [622-0430](#) [622-3653LF](#) [63453-116](#) [636-1030](#) [636-1427](#) [636-3427](#) [636-4007](#) [641938-9](#) [65495-038](#) [65692-001LF](#) [65781-018](#)
[65781-047](#) [65817-010LF](#) [65817-015LF](#) [67095-007LF](#) [67601157](#) [68631-112](#) [68645-018](#) [699319-000](#) [70.362.1628.0](#) [70-4210](#) [70-4226B](#) [70-](#)
[4853B](#) [71.350.2428.0](#) [733-134](#) [733-162](#) [760-3052](#) [MHR-64-VUAL](#) [80.063.4001.1](#) [800-90-001-10-001000](#) [801-43-002-10-013000](#)
[801-43-006-10-002000](#) [803-43-024-10-001000](#) [803-93-012-10-001000](#) [8-1437020-4](#) [819-22-004-30-001101](#) [820-22-006-30-001101](#)
[820-22-008-30-001101](#) [821-22-002-10-001101](#)