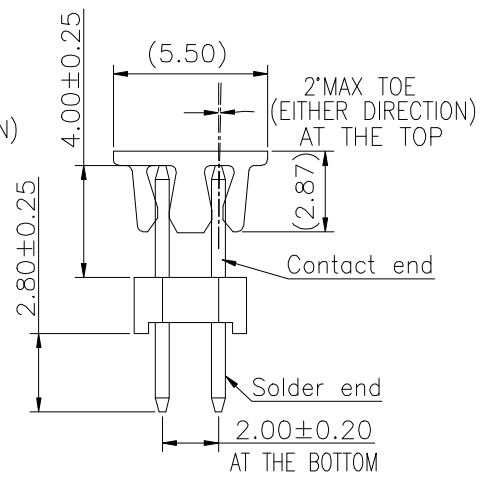
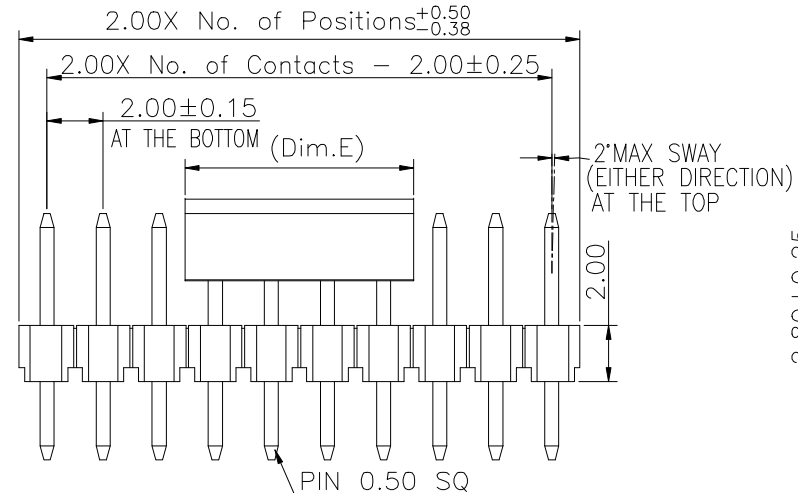


REV.	LOCAS.	DESCRIPTION	DATE	DRAWN
01	NEW	BATCH PRODUCTION INITIAL RELEASE.	2021.04.20	郭康

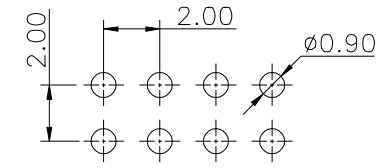


Dim.E	NOTE
4.00mm	02PIN
5.00mm	03~08PIN
8.16mm	09~40PIN

Specifications  
 Current Rating:2.0Amp  
 Insulation Resistance:1000MΩMin.  
 Dielectric Withstanding Voltage:500VAC  
 Contact Resistance:20mΩMax.  
 Operating Temperature:-40°C to +105°C  
 Materials  
 Contact Material:Phosphor Bronze  
 Insulator Material:High Temperature Thermoplastic, UL 94V-0 Nylon (Halogen Free) or the equivalent material  
 All materials must meet Greenconn hazardous substances control standards.



Recommended P.C.Board Layout  
 (Tolerance:±0.05)



### Ordering Information

G PFA201 - XX XX A 001 R 1 A X

No. of Pins per Row 02~40  
 Standard Plating 02=Gold Flash  
 Selective Plating 01=Tin 05=Gold Flash/Tin

Color 1=Black

Standard Packing C=Tube (04-40PIN)  
 Selective Packing A=Box E=Cap+Tube (03-40PIN)  
 F=Cap+Tape&Reel



3RD.ANG PROJ.		GENERAL TOLERANCE	
	PAGE. 1/1	X'±5.0'	X.±0.30
		.X'±3.0'	.X±0.25
		.XX'±2.0'	.XX±0.15
		.XXX'±1.0'	.XXX±0.10

DESIGNED: 郭康	DATE: 2021.04.20
CHECKED:	DATE:
APPROVED:	DATE:

DWG. NO. GPFA201-CA1RA
PART NO. GPFA201-XXXX A001R1AX

TITLE. 2.00 PIN HEADER DUAL ROWS DIP TYPE CONNECTOR
--

REV.	UNIT.	SCALE.
01	mm	4:1

## X-ON Electronics

Largest Supplier of Electrical and Electronic Components

*Click to view similar products for [Headers & Wire Housings](#) category:*

*Click to view products by [GREENCONN](#) manufacturer:*

Other Similar products are found below :

[0015917161](#) [0022155065](#) [57102-F02-18ULF](#) [58102-G61-06LF](#) [582553-1](#) [01.001.5753.1](#) [0050291907](#) [02.125.8002.8](#) [609-3404](#) [61062-3](#)  
[CSU011177004](#) [622-0430](#) [622-3653LF](#) [63453-116](#) [636-1030](#) [636-1427](#) [636-3427](#) [636-4007](#) [641938-9](#) [65495-038](#) [65692-001LF](#) [65781-018](#)  
[65781-047](#) [65817-010LF](#) [65817-015LF](#) [67095-007LF](#) [67601157](#) [68631-112](#) [68645-018](#) [699319-000](#) [70.362.1628.0](#) [70-4210](#) [70-4226B](#) [70-](#)  
[4853B](#) [71.350.2428.0](#) [733-134](#) [733-162](#) [760-3052](#) [MHR-64-VUAL](#) [80.063.4001.1](#) [800-90-001-10-001000](#) [801-43-002-10-013000](#)  
[801-43-006-10-002000](#) [803-43-024-10-001000](#) [803-93-012-10-001000](#) [8-1437020-4](#) [819-22-004-30-001101](#) [820-22-006-30-001101](#)  
[820-22-008-30-001101](#) [821-22-002-10-001101](#)