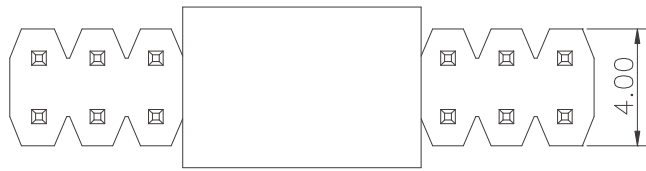
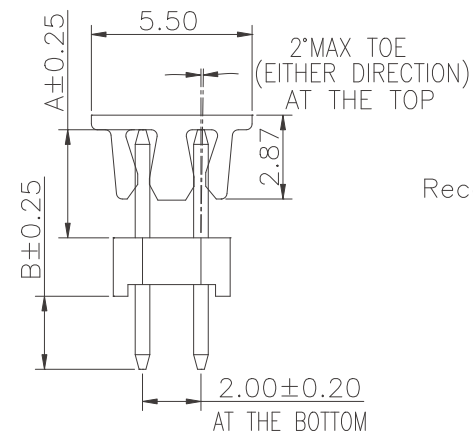
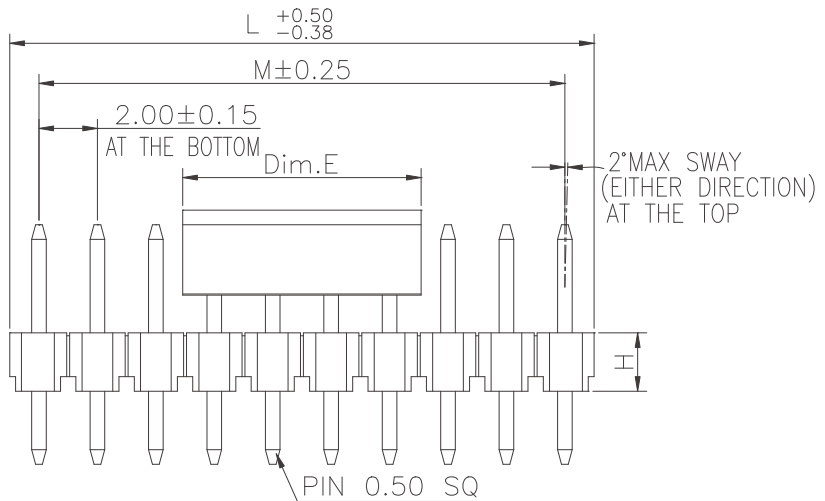


1 2 3 4 5 6 7 8 9

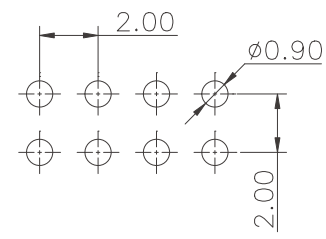


Specifications
 Current Rating:2.0Amp
 Insulation Resistance:1000MΩMin.
 Dielectric Withstanding Voltage:500VAC
 Contact Resistance:20mΩMax.
 Operating Temperature:-40°C to +105°C
 Materials
 Contact Material:
 Brass(Pin length less than 25mm)
 Phosphor Bronze(The total length of pin is more than 25mm)
 Insulator Material:
 PBT(Not resistant to high temperature),
 Nylon(High temperature resistance),
 LCP(High temperature resistance),
 UL 94V-0
 All materials must meet Greenconn hazardous substances control standards.

| Dim.E | NOTE |
|--------|----------|
| 4.00mm | 02PIN |
| 5.00mm | 03~08PIN |
| 8.16mm | 09~40PIN |



Recommended P.C.Board Layout
 (Tolerance:±0.05)



| No. of PIN/ROW | Dimension Information | |
|----------------|-----------------------|-------|
| | M | L |
| 02 | 2.00 | 4.00 |
| 03 | 4.00 | 6.00 |
| 04 | 6.00 | 8.00 |
| 05 | 8.00 | 10.00 |
| 06 | 10.00 | 12.00 |
| 07 | 12.00 | 14.00 |
| 08 | 14.00 | 16.00 |
| 09 | 16.00 | 18.00 |
| 10 | 18.00 | 20.00 |
| 11 | 20.00 | 22.00 |
| 12 | 22.00 | 24.00 |
| 13 | 24.00 | 26.00 |
| 14 | 26.00 | 28.00 |
| 15 | 28.00 | 30.00 |
| 16 | 30.00 | 32.00 |
| 17 | 32.00 | 34.00 |
| 18 | 34.00 | 36.00 |
| 19 | 36.00 | 38.00 |
| 20 | 38.00 | 40.00 |
| 21 | 40.00 | 42.00 |
| 22 | 42.00 | 44.00 |
| 23 | 44.00 | 46.00 |
| 24 | 46.00 | 48.00 |
| 25 | 48.00 | 50.00 |
| 26 | 50.00 | 52.00 |
| 27 | 52.00 | 54.00 |
| 28 | 54.00 | 56.00 |
| 29 | 56.00 | 58.00 |
| 30 | 58.00 | 60.00 |
| 31 | 60.00 | 62.00 |
| 32 | 62.00 | 64.00 |
| 33 | 64.00 | 66.00 |
| 34 | 66.00 | 68.00 |
| 35 | 68.00 | 70.00 |
| 36 | 70.00 | 72.00 |
| 37 | 72.00 | 74.00 |
| 38 | 74.00 | 76.00 |
| 39 | 76.00 | 78.00 |
| 40 | 78.00 | 80.00 |

Ordering Information

G PFA2XX - XX XX A XXX C

Plastic specifications
 1=Single row
 2=Dual row
 3=Tripe row
 4=Quadruple

Water code
 01:H=2.00
 02:H=1.50

No. of Pins per Row
 02~40

Positioning column information
 A=No locating post
 B=Round post
 C=Square post

Plating code
 01=Tin
 02=Gold Flash
 05=Gold Flash/Tin
 22=Matte Tin

Pin length
 See the drawing

Insulator Material
 A=PBT
 R=Nylon(Halogen Free)
 C=LCP

Color
 1=Black
 2=White
 3=Yellow
 E=Beige

Contact Material
 A/S/K/T=Phosphor Bronze
 B/Z/H/W=Brass

Packing code
 A=Box
 B=Tray
 C=Tube
 D=Tape&Reel
 E=Cap+Tube
 F=Cap+Tape&Reel
 G=Acetate Tape+Tube
 H=Acetate Tape+Tape&Reel

格稜股份有限公司
 Greenconn Corporation

| GENERAL TOLERANCE | |
|-------------------|-----------|
| X.*±5.0° | X.±0.30 |
| .X*±3.0° | .X±0.25 |
| .XX*±2.0° | .XX±0.15 |
| .XXX*±1.0° | .XXX±0.10 |

| | |
|----------|-------------------------|
| DWG. NO. | GPFA2XX-CAXX |
| PART NO. | GPFA2XX-XX XX AXXX X1XX |

TITLE.
 2.00 PIN HEADER
 DUAL ROWS DIP TYPE
 CONNECTOR

| | | | | |
|------|-------|--------|-------|--|
| REV. | UNIT. | SCALE. | PAGE. | |
| 01 | mm | 4:1 | 1/1 | |

1 2 3 4 5 6 7 8 9

X-ON Electronics

Largest Supplier of Electrical and Electronic Components

Click to view similar products for [Headers & Wire Housings](#) category:

Click to view products by [GREENCONN](#) manufacturer:

Other Similar products are found below :

[0015917161](#) [0022155065](#) [57102-F02-18ULF](#) [58102-G61-06LF](#) [582553-1](#) [01.001.5753.1](#) [0050291907](#) [02.125.8002.8](#) [609-3404](#) [61062-3](#)
[CSU011177004](#) [622-0430](#) [622-3653LF](#) [63453-116](#) [636-1030](#) [636-1427](#) [636-3427](#) [636-4007](#) [641938-9](#) [65495-038](#) [65692-001LF](#) [65781-018](#)
[65781-047](#) [65817-010LF](#) [65817-015LF](#) [67095-007LF](#) [67601157](#) [68631-112](#) [68645-018](#) [699319-000](#) [70.362.1628.0](#) [70-4210](#) [70-4226B](#) [70-](#)
[4853B](#) [71.350.2428.0](#) [733-134](#) [733-162](#) [760-3052](#) [MHR-64-VUAL](#) [80.063.4001.1](#) [800-90-001-10-001000](#) [801-43-002-10-013000](#)
[801-43-006-10-002000](#) [803-43-024-10-001000](#) [803-93-012-10-001000](#) [8-1437020-4](#) [819-22-004-30-001101](#) [820-22-006-30-001101](#)
[820-22-008-30-001101](#) [821-22-002-10-001101](#)