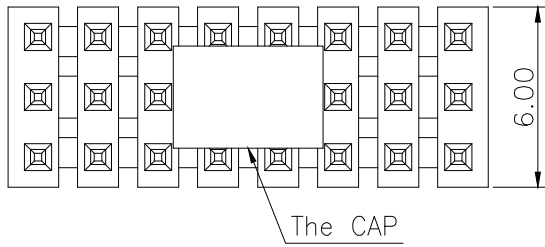
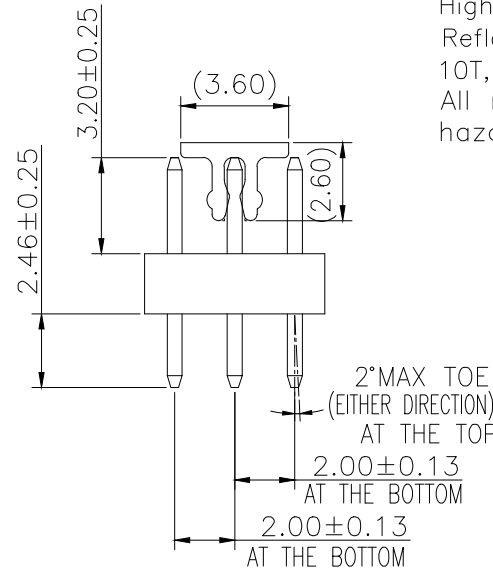
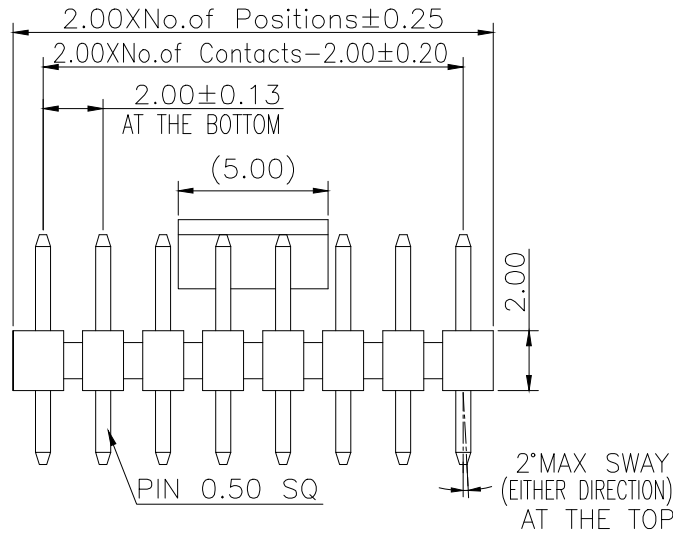


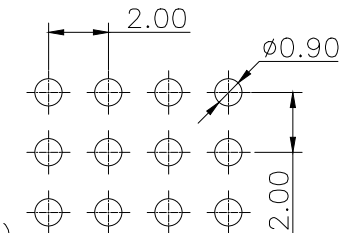
REV.	LOCAS.	DESCRIPTION	DATE	DRAWN
A	NEW	INTERIM INITIAL RELEASE.	2022.12.29	郭康



Specifications
 Current Rating:2.0Amp
 Insulation Resistance:1000MΩMin.
 Dielectric Withstanding Voltage:500VAC
 Contact Resistance:20mΩMax.
 Operating Temperature:-40°C to +105°C
 Materials
 Contact Material:Copper alloy
 High Temperature Thermoplastic: Suitable for Reflow Soldering Process (LCP, Nylon 10T,NYLON-HTN)
 All materials must meet Greenconn hazardous substances control standards.



Recommended P.C.Board Layout
 (Tolerance:±0.05)



Ordering Information

G PFA301 - XX XX A 008 X X X X

No. of Pins per Row 02~40
 Standard Plating 02=Gold Flash
 Selective Plating 05=Gold Flash/Tin
 01=Tin

Insulator Material Y=NYLON-10T
 C=LCP
 R=NYLON-HTN

Color 1=Black
 5=Natural

Contact Material A=Phosphor Bronze
 B=Brass

Standard Packing C=Tube(04~40PIN)
 Selective Packing A=Box
 E=Cap+Tube(04~40PIN)
 F=Cap+Tape&Reel
 D=Tape&Reel

 Website:www.greenconn.com E-mail:sales@greenconn.com	3RD.ANG PROJ.	GENERAL TOLERANCE		DESIGNED: 郭康	DATE: 2022.12.29	DWG. NO. GPFA301-CA008	TITLE. 2.00 PIN HEADER THREE ROWS DIP TYPE CONNECTOR
	 PAGE. 1/1	.X°±5.0°	.X±0.30	CHECKED: 張春進	DATE: 2022.12.29		
REV. A	UNIT. mm	SCALE. 4:1	.X°±3.0°	.X±0.25	APPROVED: 張春進	DATE: 2022.12.29	
			.XX°±2.0°	.XX±0.15			
			.XXX°±1.0°	.XXX±0.10			

X-ON Electronics

Largest Supplier of Electrical and Electronic Components

Click to view similar products for [Headers & Wire Housings](#) category:

Click to view products by [GREENCONN](#) manufacturer:

Other Similar products are found below :

[0015917161](#) [0022155065](#) [57102-F02-18ULF](#) [58102-G61-06LF](#) [582553-1](#) [01.001.5753.1](#) [0050291907](#) [02.125.8002.8](#) [609-3404](#) [61062-3](#)
[CSU011177004](#) [622-0430](#) [622-3653LF](#) [63453-116](#) [636-1030](#) [636-1427](#) [636-3427](#) [636-4007](#) [641938-9](#) [65495-038](#) [65692-001LF](#) [65781-018](#)
[65781-047](#) [65817-010LF](#) [65817-015LF](#) [67095-007LF](#) [67601157](#) [68631-112](#) [68645-018](#) [699319-000](#) [70.362.1628.0](#) [70-4210](#) [70-4226B](#) [70-](#)
[4853B](#) [71.350.2428.0](#) [733-134](#) [733-162](#) [760-3052](#) [MHR-64-VUAL](#) [80.063.4001.1](#) [800-90-001-10-001000](#) [801-43-002-10-013000](#)
[801-43-006-10-002000](#) [803-43-024-10-001000](#) [803-93-012-10-001000](#) [8-1437020-4](#) [819-22-004-30-001101](#) [820-22-006-30-001101](#)
[820-22-008-30-001101](#) [821-22-002-10-001101](#)