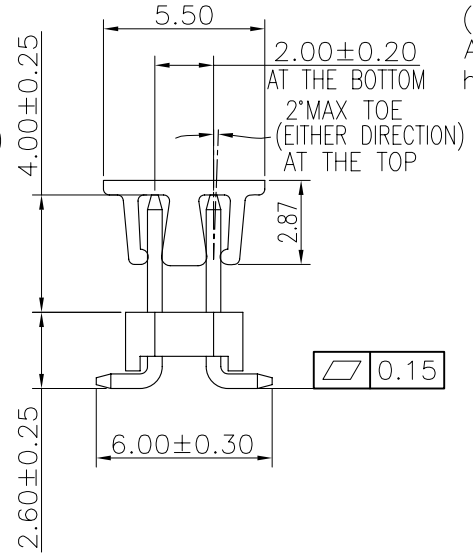
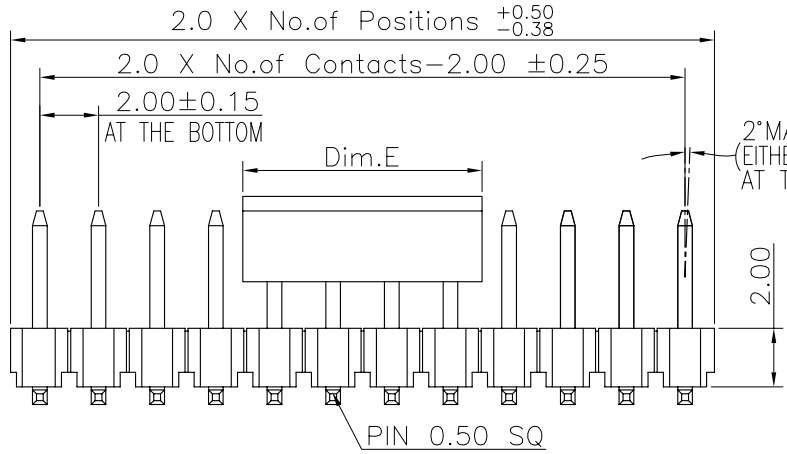
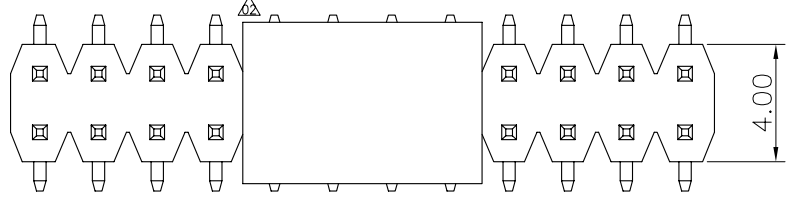


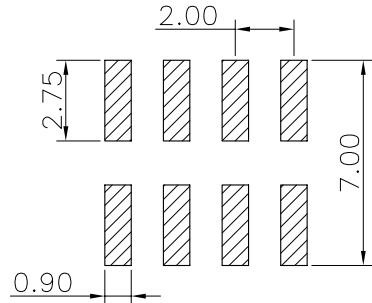
REV.	LOCAS.	DESCRIPTION	DATE	DRAWN
01	NEW	BATCH PRODUCTION INITIAL RELEASE.	2013.04.19	李芳忠
02	△	因業務要求，圖面新增CAP	2014.06.18	邱國強

Specifications
 Current Rating:2.0Amp
 Insulation Resistance:1000MΩMin.
 Dielectric Withstanding Voltage:500VAC
 Contact Resistance:20mΩMax.
 Operating Temperature:-40°C to +105°C
 Materials
 Contact Material:Brass
 Insulator Material:High Temperature Thermoplastic, UL 94V-0 Nylon 6T (Halogen Free) or the equivalent material
 All materials must meet Greenconn hazardous substances control standards.

Dim.E	NOTE
4.00mm	02PIN
5.00mm	03~08PIN
8.16mm	09~40PIN



Recommended P.C.Board Layout
 (Tolerance:±0.05)



Ordering Information

G PFC201 - XX XX A 006 R 1 B X

- No. of Pins per Row: 02~40
- Standard Plating: 02=Gold Flash
- Selective Plating: 01=Tin, 05=Gold Flash/Tin
- Color: 1=Black
- Standard Packing: C=Tube
- Selective Packing: A=Box, E=Cap+Tube, F=Cap+Tape&Reel

格稜股份有限公司
Greenconn Corporation

GENERAL TOLERANCE		DESIGNED: 邱國強	DATE: 2014.06.18	DWG. NO.	TITLE. 2.00 PIN HEADER DUAL ROWS SMT TYPE CONNECTOR
X.*±5.0°	X.±0.30	CHECKED: 曹 熙	DATE: 2014.06.18	GPFC201-CA6RB	
.X*±3.0°	.X±0.25	CO SIGNED: 劉北平	DATE: 2014.06.18	PART NO.	
.XX*±2.0°	.XX±0.15	APPROVED: 李 輝	DATE: 2014.06.18	GPFC201-XXXX A006R1BX	
.XXX*±1.0°	.XXX±0.10				

REV.	UNIT.	SCALE.	PAGE.
02	mm	4:1	1/1

X-ON Electronics

Largest Supplier of Electrical and Electronic Components

Click to view similar products for [Headers & Wire Housings](#) category:

Click to view products by [GREENCONN](#) manufacturer:

Other Similar products are found below :

[0015917161](#) [0022155065](#) [57102-F02-18ULF](#) [58102-G61-06LF](#) [582553-1](#) [01.001.5753.1](#) [0050291907](#) [02.125.8002.8](#) [609-3404](#) [61062-3](#)
[CSU011177004](#) [622-0430](#) [622-3653LF](#) [63453-116](#) [636-1030](#) [636-1427](#) [636-3427](#) [636-4007](#) [641938-9](#) [65495-038](#) [65692-001LF](#) [65781-018](#)
[65781-047](#) [65817-010LF](#) [65817-015LF](#) [67095-007LF](#) [67601157](#) [68631-112](#) [68645-018](#) [699319-000](#) [70.362.1628.0](#) [70-4210](#) [70-4226B](#) [70-](#)
[4853B](#) [71.350.2428.0](#) [733-134](#) [733-162](#) [760-3052](#) [MHR-64-VUAL](#) [80.063.4001.1](#) [800-90-001-10-001000](#) [801-43-002-10-013000](#)
[801-43-006-10-002000](#) [803-43-024-10-001000](#) [803-93-012-10-001000](#) [8-1437020-4](#) [819-22-004-30-001101](#) [820-22-006-30-001101](#)
[820-22-008-30-001101](#) [821-22-002-10-001101](#)