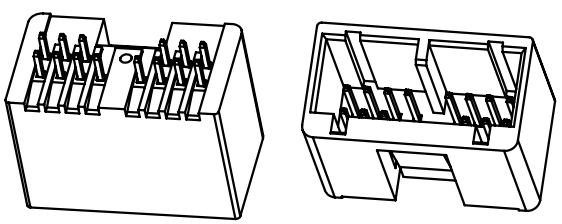
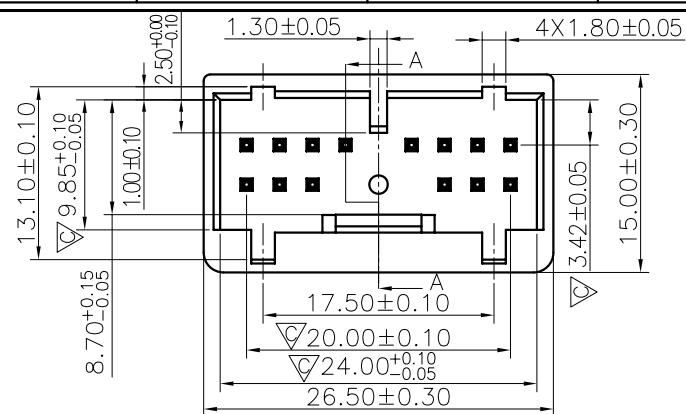
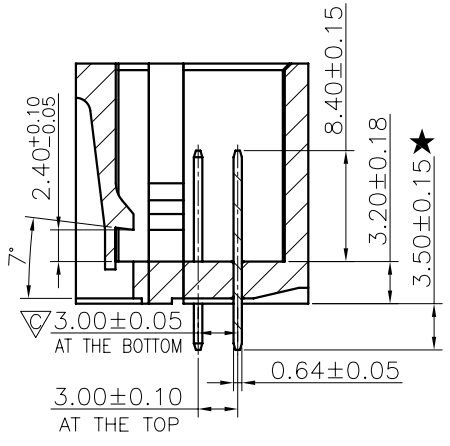
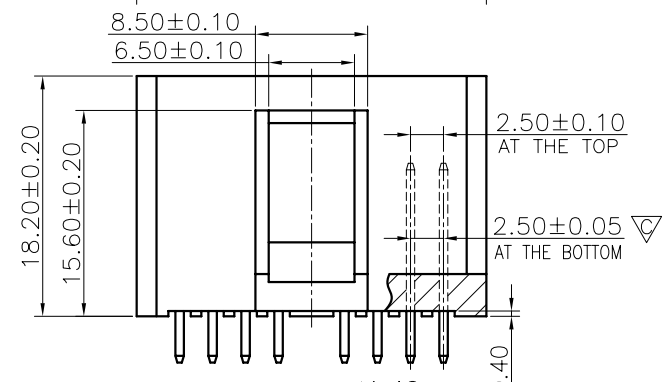


1 2 3 4 5 6 7 8 9

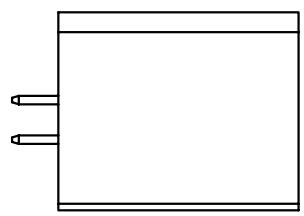
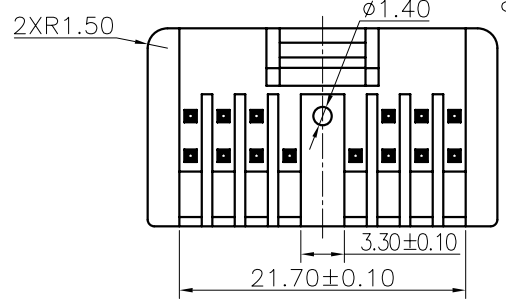
REV.	LOCAS.	DESCRIPTION	DATE	DRAWN
A	NEW	INTERIM INITIAL RELEASE.	2018.05.04	賴 民



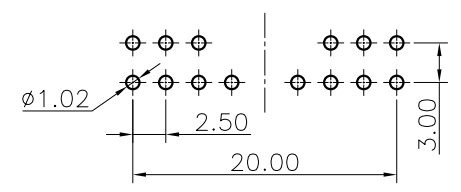
Specifications  
 Current Rating:3.0Amp  
 Insulation Resistance:1000MΩMin.  
 Dielectric Withstanding Voltage:600VAC  
 Contact Resistance:20mΩMax.  
 Operating Temperature:-40°C to +105°C  
 Materials  
 Contact Material:Brass  
 Insulator Material: Thermoplastic, UL 94V-0  
 PBT or the equivalent material



☆ All materials must meet Greenconn hazardous substances control standards.  
 ★: Critical Characteristics, indicates product characteristics, functionalities, and manufacturing processes regarding to customer's specifications  
 ☆: Safety Features indicates product characteristics, functionalities, and manufacturing processes complying to legal regulations stated by local government



Recommended P.C.Board Layout  
 (Tolerance:±0.05)



Ordering Information  
 G PGA201 - 08 XX A 900 A 1 Z X  
 No. of Pins per Row 08    Standard Plating J3=Tin    Color 1=Black    Standard Packing C=Tube

Greenconn P/N	Customer	Remarks
GPGA201-08J3A900A1ZC	A053	Automotive Connector

格菱股份有限公司  
**Greenconn Corporation**

GENERAL TOLERANCE		DESIGNED: 賴 民	DATE: 2018.05.04	DWG. NO.	TITLE: 2.50 BOX HEADER DUAL ROWS DIP TYPE CONNECTOR
X.*±5.0°	X.±0.30	CHECKED:	DATE:	GPGA201-CA900AZ	
.X*±3.0°	.X±0.25	CO SIGNED: 劉北平	DATE: 2018.05.04	PART NO.	
.XX*±2.0°	.XX±0.15	APPROVED:	DATE:	GPGA201-08XXA900A1ZX	
.XXX*±1.0°	.XXX±0.10				

1 2 3 4 5 6 7 8 9

## X-ON Electronics

Largest Supplier of Electrical and Electronic Components

*Click to view similar products for [Headers & Wire Housings](#) category:*

*Click to view products by [GREENCONN](#) manufacturer:*

Other Similar products are found below :

[57102-F02-18ULF](#) [58102-G61-06LF](#) [582553-1](#) [009176003701906](#) [01.001.5753.1](#) [0050291907](#) [02.125.8002.8](#) [609-3404](#) [61062-3](#)  
[CSU011177004](#) [622-0430](#) [622-3653LF](#) [63453-116](#) [636-1030](#) [636-1427](#) [636-3427](#) [636-4007](#) [641938-9](#) [644827-2](#) [65495-038](#) [65692-001LF](#)  
[65781-018](#) [65781-047](#) [65817-010LF](#) [65817-015LF](#) [66207-023LF](#) [67095-007LF](#) [67601157](#) [68631-112](#) [68645-018](#) [699319-000](#)  
[M90C108951C](#) [70.362.1628.0](#) [70-4210](#) [70-4226B](#) [70-4853B](#) [707-5028](#) [71.350.2428.0](#) [71961-016LF](#) [733-134](#) [733-162](#) [754199-000](#) [760-](#)  
[3052](#) [80.063.4001.1](#) [800-90-001-10-001000](#) [800-90-010-10-002000](#) [801-43-002-10-013000](#) [801-43-006-10-002000](#) [803-41-018-10-001000](#)  
[803-43-024-10-001000](#)