

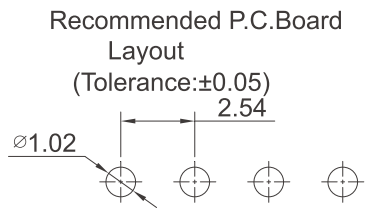
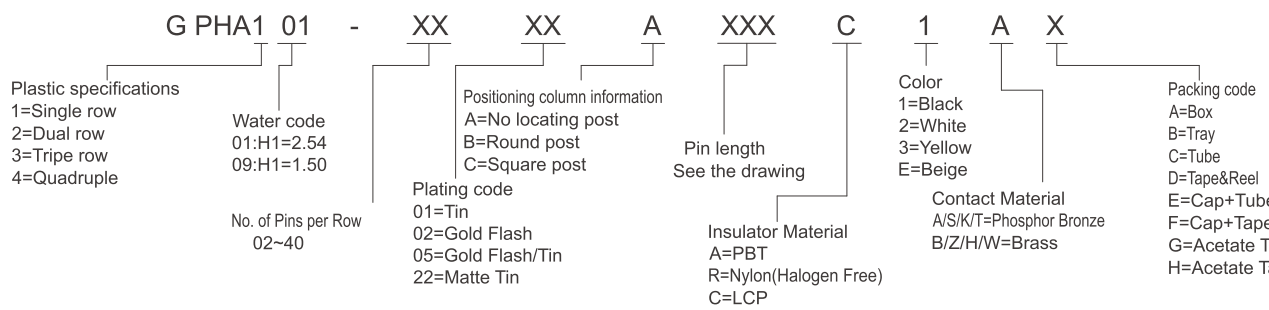
**Specifications**  
 Current Rating:3.0Amp  
 Insulation Resistance:1000MΩMin.  
 Dielectric Withstanding Voltage:600VAC  
 Contact Resistance:20mΩMax.  
 Operating Temperature:-40°C to +105°C

**Materials**  
 Contact Material:  
 Brass(Pin length less than 25mm)  
 Phosphor Bronze(The total length of pin is more than 25mm)  
 Insulator Material:  
 PBT(Not resistant to high temperature), Nylon(High temperature resistance), LCP(High temperature resistance),  
 UL 94V-0  
 All materials must meet Greenconn hazardous substances control standards.

| No. of PIN/ROW | Dimension Information |        |
|----------------|-----------------------|--------|
|                | M                     | L      |
| 02             | 2.54                  | 5.08   |
| 03             | 5.08                  | 7.62   |
| 04             | 7.62                  | 10.16  |
| 05             | 10.16                 | 12.70  |
| 06             | 12.70                 | 15.24  |
| 07             | 15.24                 | 17.78  |
| 08             | 17.78                 | 20.32  |
| 09             | 20.32                 | 22.86  |
| 10             | 22.86                 | 25.40  |
| 11             | 25.40                 | 27.94  |
| 12             | 27.94                 | 30.48  |
| 13             | 30.48                 | 33.02  |
| 14             | 33.02                 | 35.56  |
| 15             | 35.56                 | 38.10  |
| 16             | 38.10                 | 40.64  |
| 17             | 40.64                 | 43.18  |
| 18             | 43.18                 | 45.72  |
| 19             | 45.72                 | 48.26  |
| 20             | 48.26                 | 50.80  |
| 21             | 50.80                 | 53.34  |
| 22             | 53.34                 | 55.88  |
| 23             | 55.88                 | 58.42  |
| 24             | 58.42                 | 60.96  |
| 25             | 60.96                 | 63.50  |
| 26             | 63.50                 | 66.04  |
| 27             | 66.04                 | 68.58  |
| 28             | 68.58                 | 71.12  |
| 29             | 71.12                 | 73.66  |
| 30             | 73.66                 | 76.20  |
| 31             | 76.20                 | 78.74  |
| 32             | 78.74                 | 81.28  |
| 33             | 81.28                 | 83.82  |
| 34             | 83.82                 | 86.36  |
| 35             | 86.36                 | 88.90  |
| 36             | 88.90                 | 91.44  |
| 37             | 91.44                 | 93.98  |
| 38             | 93.98                 | 96.52  |
| 39             | 96.52                 | 99.06  |
| 40             | 99.06                 | 101.60 |

| Dim.D  | NOTE      |
|--------|-----------|
| 5.00mm | 02Pins    |
| 6.50mm | 03~40Pins |

### Ordering Information



|   |       |        |       |                   |         |          |        |
|---|-------|--------|-------|-------------------|---------|----------|--------|
| <b>格稜股份有限公司</b><br><b>Greenconn Corporation</b> |       |        |       | GENERAL TOLERANCE |         | DWG. NO. | TITLE. |
|   |       |        |       | X.°±5.0°          | X.±0.30 |          |        |
| REV.  | UNIT. | SCALE. | PAGE. |                   |         | PART NO. |        |
| 01  | mm    | 4:1    | 1/1   |                   |         |          |        |
|   |       |        |       |                   |         |          |        |

## X-ON Electronics

Largest Supplier of Electrical and Electronic Components

*Click to view similar products for [Headers & Wire Housings](#) category:*

*Click to view products by [GREENCONN](#) manufacturer:*

Other Similar products are found below :

[0015917161](#) [0022155065](#) [57102-F02-18ULF](#) [58102-G61-06LF](#) [582553-1](#) [01.001.5753.1](#) [0050291907](#) [02.125.8002.8](#) [609-3404](#) [61062-3](#)  
[CSU011177004](#) [622-0430](#) [622-3653LF](#) [63453-116](#) [636-1030](#) [636-1427](#) [636-3427](#) [636-4007](#) [641938-9](#) [65495-038](#) [65692-001LF](#) [65781-018](#)  
[65781-047](#) [65817-010LF](#) [65817-015LF](#) [67095-007LF](#) [67601157](#) [68631-112](#) [68645-018](#) [699319-000](#) [70.362.1628.0](#) [70-4210](#) [70-4226B](#) [70-](#)  
[4853B](#) [71.350.2428.0](#) [733-134](#) [733-162](#) [760-3052](#) [MHR-64-VUAL](#) [80.063.4001.1](#) [800-90-001-10-001000](#) [801-43-002-10-013000](#)  
[801-43-006-10-002000](#) [803-43-024-10-001000](#) [803-93-012-10-001000](#) [8-1437020-4](#) [819-22-004-30-001101](#) [820-22-006-30-001101](#)  
[820-22-008-30-001101](#) [821-22-002-10-001101](#)