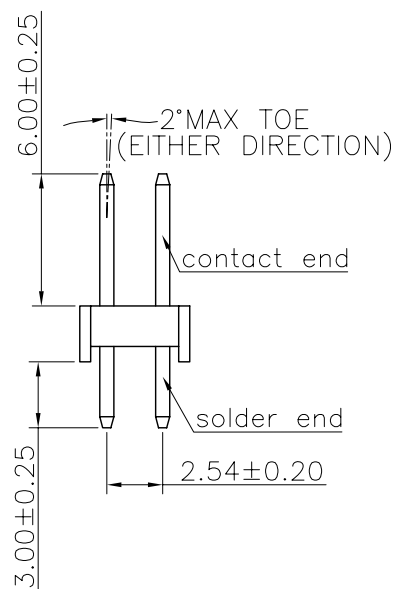
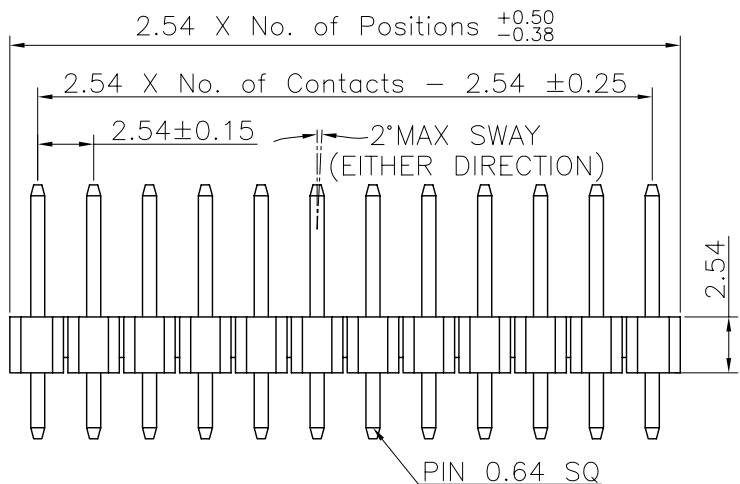
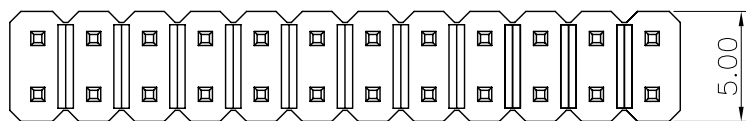


| REV. | LOCAS. | DESCRIPTION      | DATE       | DRAWN |
|------|--------|------------------|------------|-------|
| 01   | NEW    | INITIAL RELEASE. | 2013.05.04 | 李芳忠   |



Specifications  
 Current Rating:3Amp  
 Insulation Resistance:1000MΩMin.  
 Dielectric Withstanding Voltage:600VAC  
 Contact Resistance:20mΩMax.  
 Operating Temperature:-40°C to +105°C  
 Materials  
 Contact Material:Phosphor Bronze  
 Insulator Material:High Temperature Thermoplastic, UL 94V-0 Nylon 6T(Halogen Free) or the equivalent material  
 All materials must meet Greenconn requirement for environment protection.

### Ordering Information

G PHA201 - XX XX A 001 R 1 A X

No. of Pins per Row  
01~40

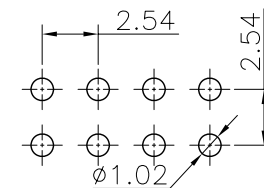
Standard Plating  
02=Gold Flash  
Selective Plating  
01=Tin  
05=Gold Flash/Tin

Color  
1=Black

Standard Packing  
A=Box  
Selective Packing  
C=Tube

### Recommended P.C.Board Layout

(Tolerance:±0.05)



格菱股份有限公司  
Greenconn Corporation

| GENERAL TOLERANCE |           |
|-------------------|-----------|
| X.*±5.0°          | X.±0.30   |
| .X*±3.0°          | .X±0.25   |
| .XX*±2.0°         | .XX±0.15  |
| .XXX*±1.0°        | .XXX±0.10 |

|              |                  |
|--------------|------------------|
| DESIGN: 李芳忠  | DATE: 2013.05.04 |
| CHECKED: 劉北平 | DATE: 2013.05.04 |
| AUDITED:     | DATE:            |
| APPROVED:    | DATE:            |

|          |                       |
|----------|-----------------------|
| DWG. NO. | GPHA201-CA1RA         |
| PART NO. | GPHA201-XXXX A001R1AX |

|        |  |
|--------|--|
| TITLE. | 2.54 PIN HEADER<br>DUAL ROWS DIP TYPE<br>CONNECTOR |
|--------|--|

| REV. | UNIT. | SCALE. | PAGE. |
|------|-------|--------|-------|
| 01   | mm    | 3:1    | 1/1   |

## X-ON Electronics

Largest Supplier of Electrical and Electronic Components

*Click to view similar products for [Headers & Wire Housings](#) category:*

*Click to view products by [GREENCONN](#) manufacturer:*

Other Similar products are found below :

[0015917161](#) [0022155065](#) [57102-F02-18ULF](#) [58102-G61-06LF](#) [582553-1](#) [01.001.5753.1](#) [0050291907](#) [02.125.8002.8](#) [609-3404](#) [61062-3](#)  
[CSU011177004](#) [622-0430](#) [622-3653LF](#) [63453-116](#) [636-1030](#) [636-1427](#) [636-3427](#) [636-4007](#) [641938-9](#) [65495-038](#) [65692-001LF](#) [65781-018](#)  
[65781-047](#) [65817-010LF](#) [65817-015LF](#) [67095-007LF](#) [67601157](#) [68631-112](#) [68645-018](#) [699319-000](#) [70.362.1628.0](#) [70-4210](#) [70-4226B](#) [70-](#)  
[4853B](#) [71.350.2428.0](#) [733-134](#) [733-162](#) [760-3052](#) [MHR-64-VUAL](#) [80.063.4001.1](#) [800-90-001-10-001000](#) [801-43-002-10-013000](#)  
[801-43-006-10-002000](#) [803-43-024-10-001000](#) [803-93-012-10-001000](#) [8-1437020-4](#) [819-22-004-30-001101](#) [820-22-006-30-001101](#)  
[820-22-008-30-001101](#) [821-22-002-10-001101](#)