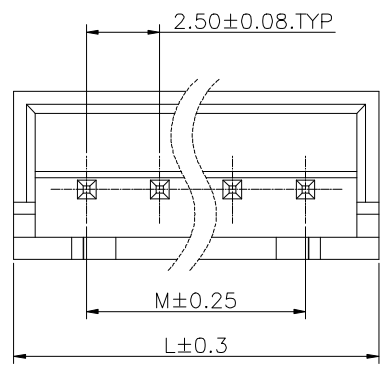


1 2 3 4 5 6 7 8 9

F



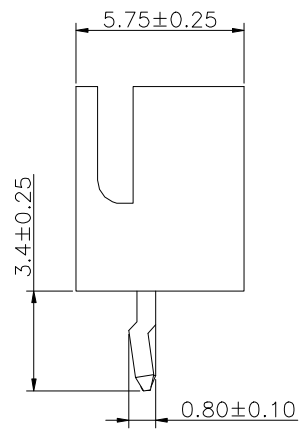
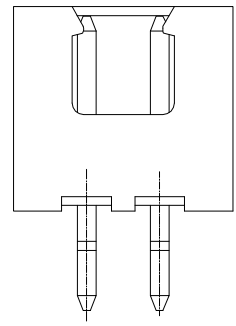
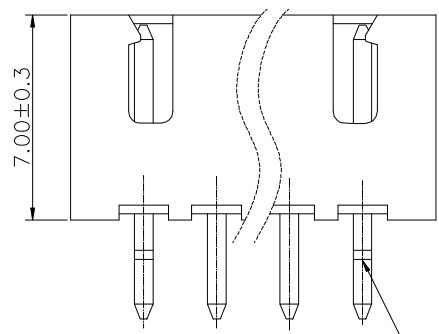
Poles	Dimensions(mm)		Poles	Dimensions(mm)	
	M	L		M	L
02	2.50	7.50	13	30.00	35.00
03	5.00	10.00	14	32.50	37.50
04	7.50	12.50	15	35.00	40.00
05	10.00	15.00	16	37.50	42.50
06	12.50	17.50	17	40.00	45.00
07	15.00	20.00			
08	17.50	22.50			
09	20.00	25.00			
10	22.50	27.50			
11	25.00	30.00			
12	27.50	32.50			

Specifications :

Voltage rating: 250V AC / DC
 Current rating: 3A AC / DC
 Withstanding voltage: 800V AC/minute
 Temperature range: -25°C~+85°C
 Insulation resistance:1000MΩ(Min)
 Contact resistance: ≤10mΩ
 Material: PA66 94V-0
 Material(Pin):Brass
 All materials must meet Greenconn requirement for environment protection.

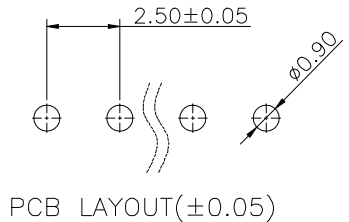
E

D



C

B



Ordering Information

G WGA114 - XX XX A 802 E X Z X

No. of Pins per Row 02~17 Standard Plating 01=Tin Selective Plating

Color 2=White Standard Packing N=PE Bag

A

格菱股份有限公司
Greenconn Corporation

GENERAL TOLERANCE	
X.±/	X.±/
.X'±2'	.X±0.30
.XX'±1'	.XX±0.20
.XXX'±/	.XXX±0.10

DESIGN:	DATE:
CHECKED:	DATE:
AUDITED:	DATE:

DWG. NO. GWGA114-CA802EZ
PART NO. GWGA114-XXXXA802EXZX

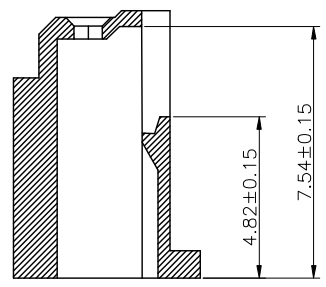
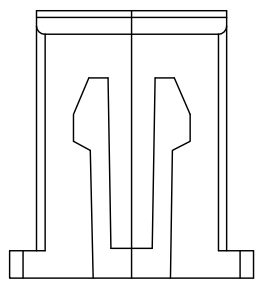
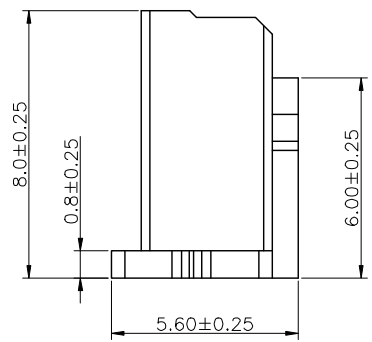
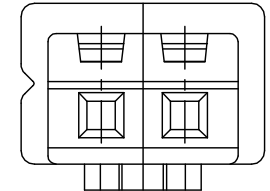
TITLE.
 2.50mm Crimp Style Connectors

REV. 01	UNIT. mm	SCALE. 1:1	PAGE. 1/1	
---------	----------	------------	-----------	--

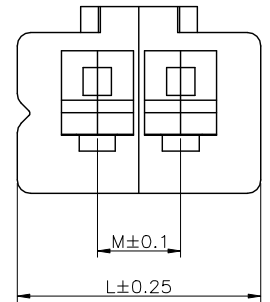
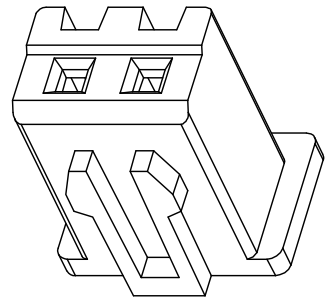
1 2 3 4 5 6 7 8 9

1 2 3 4 5 6 7 8 9

F
E
D
C
B
A



Specifications
 Current Rating:3Amp
 Voltage Rsting:250V AC/DC
 Temperature Range:-25°C to +85°C
 Contact Resistance:10mΩ Max.
 Insulation Resistance:1000MΩ Min.
 Withstanding Volatge:1000V AC/minute
 Materials
 Contact Material:PA66
 All materials must meet GREENCONN
 hazardous substances control standards.



Ordering Information

GFG041 - XX A XX

No. of Pins
02-16

Materials /Color
P1=NY 66/White

Pins	DIMENSIONS	
	L	M
02	7.30	2.5
03	9.80	5.0
04	12.30	7.5
05	14.80	10.0
06	17.30	12.5
07	19.80	15.0
08	22.30	17.5
09	24.80	20.0
10	27.30	22.5
11	29.80	25.0
12	32.30	27.5
13	34.80	30.0
14	37.30	32.5
15	39.80	35.0
16	42.30	37.5

格稜股份有限公司
Greenconn Corporation

REV. A UNIT. mm SCALE. 1:1 PAGE. 1/1

GENERAL TOLERANCE	
X:±	X.±
.X'±	.X±0.25
.XX'±	.XX±0.15
.XXX'±	.XXX±0.10

DESIGNED: DATE:
 CHECKED: DATE:
 APPROVED: DATE:

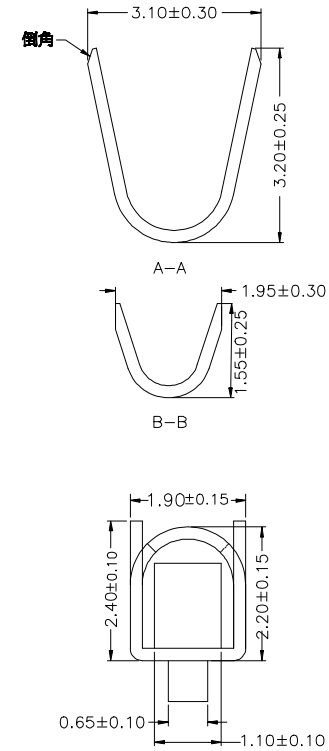
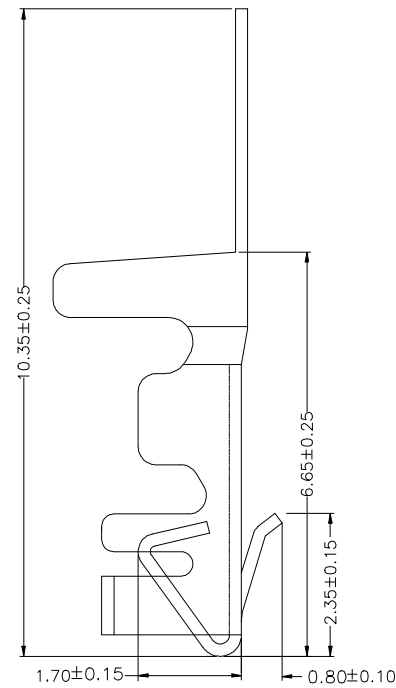
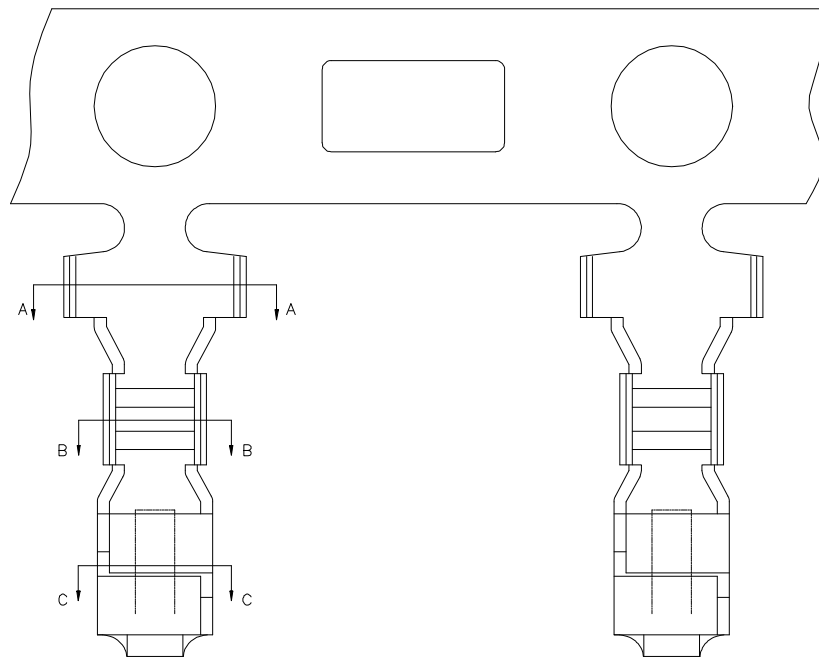
DWG. NO.
GFG041-HA
 PART NO.
GFG041-XX A XX

TITLE.
2.5mm pitch housing

1 2 3 4 5 6 7 8 9

1 2 3 4 5 6 7 8 9

F
E
D
C
B
A



Contact Material: Phosphor Bronze
 Finish: See Part Number
 Wire range: AWG#22~28
 Insulation O.D: 1.9mm(max)
 Qty/Reel: 7000
 All materials must meet GREENCONN
 hazardous substances control standards.

Ordering Information

GRG115 - 01 XX XX
 Standard Plating: 01=Tin, 02=Gold Flash
 Materials: AB=Phosphor Bronze

格稜股份有限公司
Greenconn Corporation

GENERAL TOLERANCE		DESIGNED:	DATE:	DWG. NO.	TITLE. 2.5mm pitch Terminal
X:±	X.±	CHECKED:	DATE:	GRG115-T1	
.X'±	.X±0.25			PART NO.	
.XX'±	.XX±0.15	APPROVED:	DATE:	GRG115-01 XX XX	
.XXX'±	.XXX±0.10				

9B 1 2 3 4 5 6 7 8 9

X-ON Electronics

Largest Supplier of Electrical and Electronic Components

Click to view similar products for [Headers & Wire Housings](#) category:

Click to view products by [GREENCONN](#) manufacturer:

Other Similar products are found below :

[0015917161](#) [0022155065](#) [57102-F02-18ULF](#) [58102-G61-06LF](#) [582553-1](#) [01.001.5753.1](#) [0050291907](#) [02.125.8002.8](#) [609-3404](#) [61062-3](#)
[CSU011177004](#) [622-0430](#) [622-3653LF](#) [63453-116](#) [636-1030](#) [636-1427](#) [636-3427](#) [636-4007](#) [641938-9](#) [65495-038](#) [65692-001LF](#) [65781-018](#)
[65781-047](#) [65817-010LF](#) [65817-015LF](#) [67095-007LF](#) [67601157](#) [68631-112](#) [68645-018](#) [699319-000](#) [70.362.1628.0](#) [70-4210](#) [70-4226B](#) [70-](#)
[4853B](#) [71.350.2428.0](#) [733-134](#) [733-162](#) [760-3052](#) [MHR-64-VUAL](#) [80.063.4001.1](#) [800-90-001-10-001000](#) [801-43-002-10-013000](#)
[801-43-006-10-002000](#) [803-43-024-10-001000](#) [803-93-012-10-001000](#) [8-1437020-4](#) [819-22-004-30-001101](#) [820-22-006-30-001101](#)
[820-22-008-30-001101](#) [821-22-002-10-001101](#)