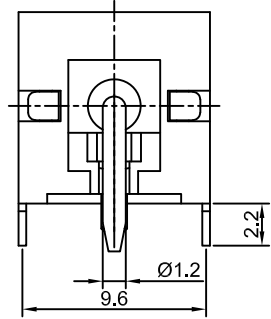
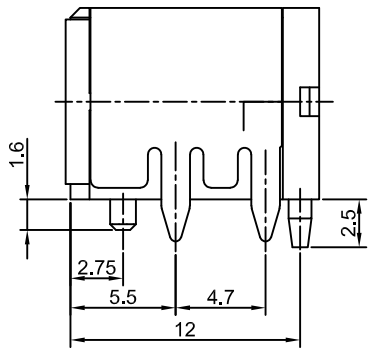
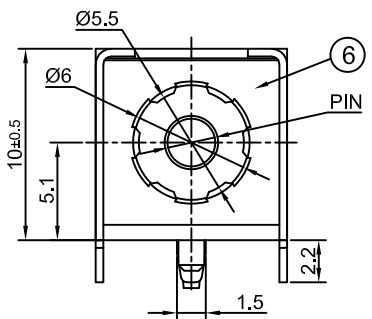


# DC-044B-DXXX

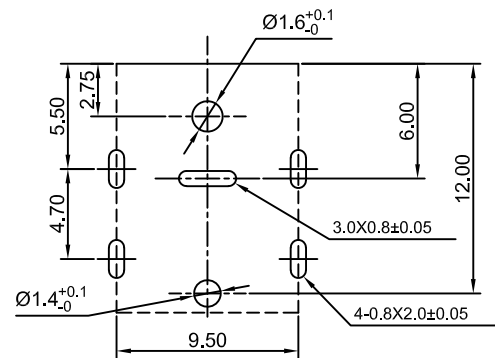
DC Power jack

G-Switch P/N:

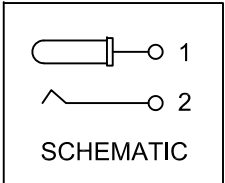
D:needle diameter  
D020=2.0mm  
D025=2.5mm



ELECTRICAL  
VOLTAGE RATING:20V DC (R.M.S)  
CURRENT RATING:10A  
CONTACT RESISTANCE:30mΩ MAX.  
INSULATION RESISTANCE:100 MΩ MIN.  
DIELECTRIC WITHSTAND VOLTAGE:500V AC (R.A.M)  
TEMPERATURE RANGE:-40°C TO +85°C  
MATERIALS & PLATING: SEE THE TABLE BELOW.



**PCB MOUNTING HOLES**  
**BOTTOM VIEW**  
(TOLERANCE:±0.05)



6	GROUND	1	STAINLESS STEEL:	
5	SHELL	1	IRON; NICKEL PLATING OVERALL	T=0.2mm
4	TERMINAL	1	STAINLESS STEEL:	T=0.2mm
3	PIN	1	BRASS; SILVER PLATING OVERALL	T=0.2mm
2	SORING	1	COPPER ALLOY; CU-SN PLATING OVERALL	T=0.2mm
1	HOUSING	1	PART COLOR BLACK	
ITEM	NAME	QTY	DESCRIPTION	NOTE



## G-Switch Electronic (HongKong) CO.,Ltd.

Unless otherwise specified, Tolerance:  
X. ±0.30  
X.x ±0.20  
X.xx ±0.15  
X.xxx ±0.10  
Angles ±3°

DESIGN LI Qingqi DATE 2022.03.15  
CHECKED DATE  
APPROVED DATE  
<http://www.dg-switch.com>  
TEL:0769-82388879

Molde code:  
**DC-044B-DXXX**  
REV.: X1 SCALE: 4:1 UNIT: mm  
SIZE: A4 SHEET: 1/1

## X-ON Electronics

Largest Supplier of Electrical and Electronic Components

*Click to view similar products for [DC Power Connectors](#) category:*

*Click to view products by [G-Switch](#) manufacturer:*

Other Similar products are found below :

[163-0308-EX](#) [163-4012-EX](#) [163-4117-EX](#) [163-MJ22-EX](#) [171-0721-EX](#) [KLDX-SMT-0202-BPTR](#) [163-0179-EX](#) [163-4015-EX](#) [171-0722-E](#)  
[K596](#) [KLD-0201-BC](#) [4C6831AX](#) [LCB60PW-M](#) [LCB60PB-M](#) [LCC30PB-M](#) [LCB50PW-M](#) [LCB50-M](#) [LCB60-F](#) [LCC30-M](#) [LCB40PW-M](#)  
[LCC30PW-M](#) [LCB50-F](#) [LCB40-F](#) [LCB30-F](#) [LCC40-M](#) [LCC40PB-M](#) [LCB40PB-M](#) [LCC40-F](#) [LCB60-M](#) [LCC40PW-M](#) [LCB50PB-M](#)  
[513820200](#) [DC-S014A-D025-20A](#) [DC007B-2.5-J](#) [DC005-2.5](#) [DC005-2.5-T](#) [DC-S019A-D025-10A](#) [DC007B-2.0](#) [DC-018-2.5A-2.5](#) [DC-005-](#)  
[A25](#) [DC-005-A20](#) [DC-002-100](#) [DC-031A-130](#) [DC-031A-100](#) [DC-003A-130](#) [DC-045-130](#) [DC-192-130](#) [DC-033-130](#) [DC-011-100](#) [DC-002F-](#)  
[130](#)