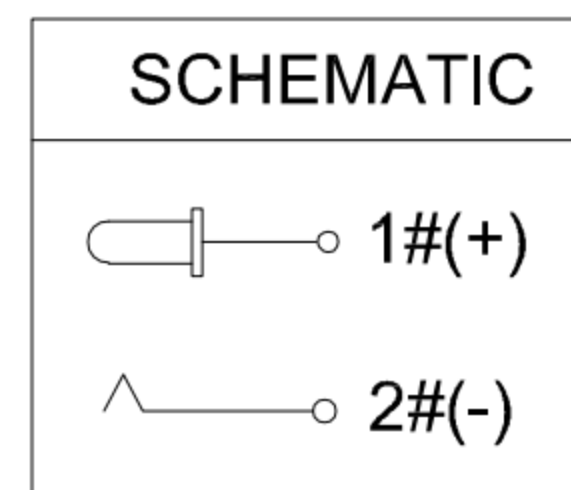
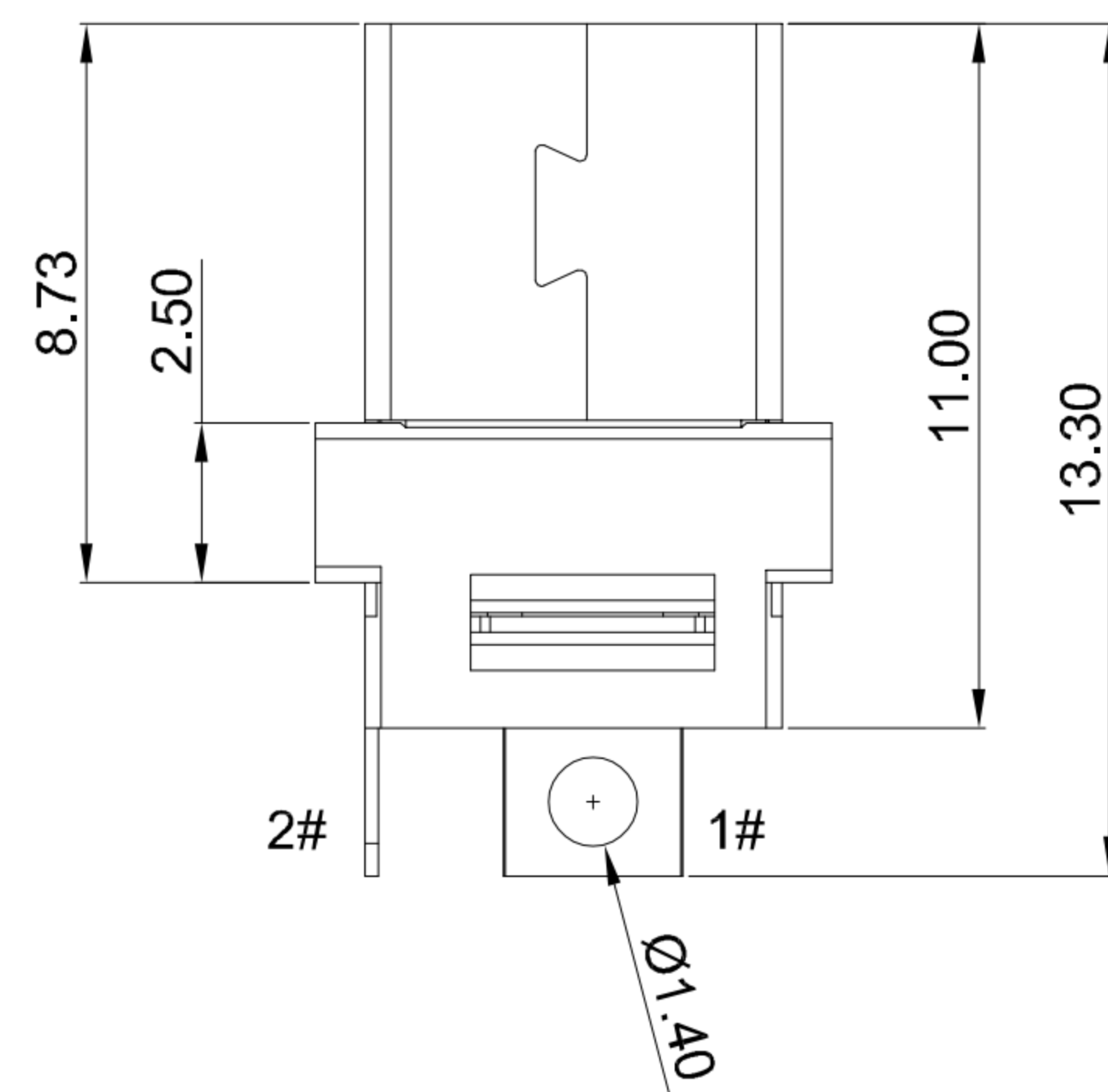
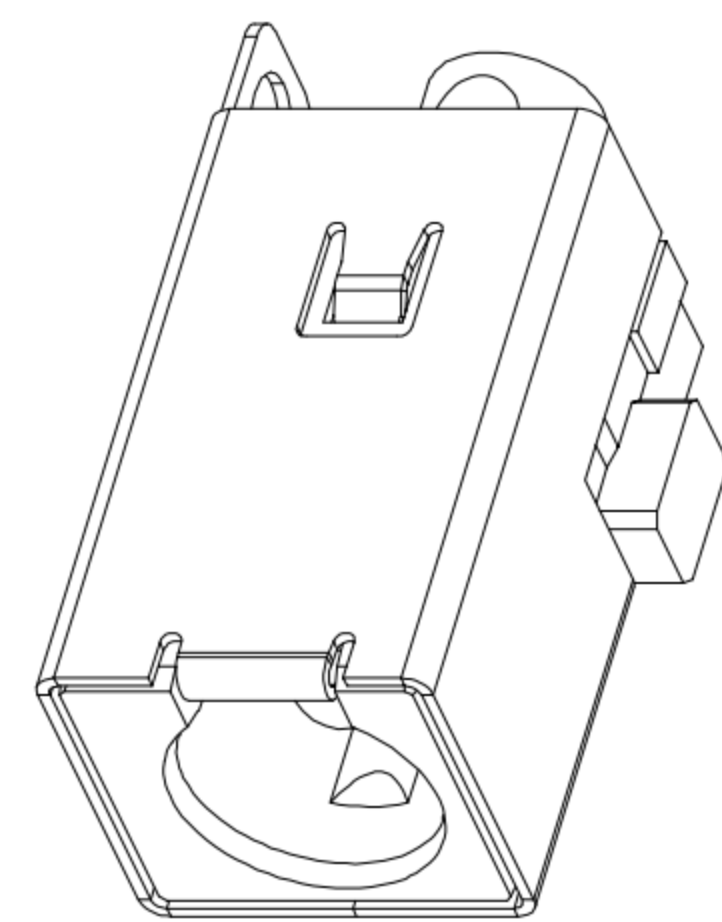
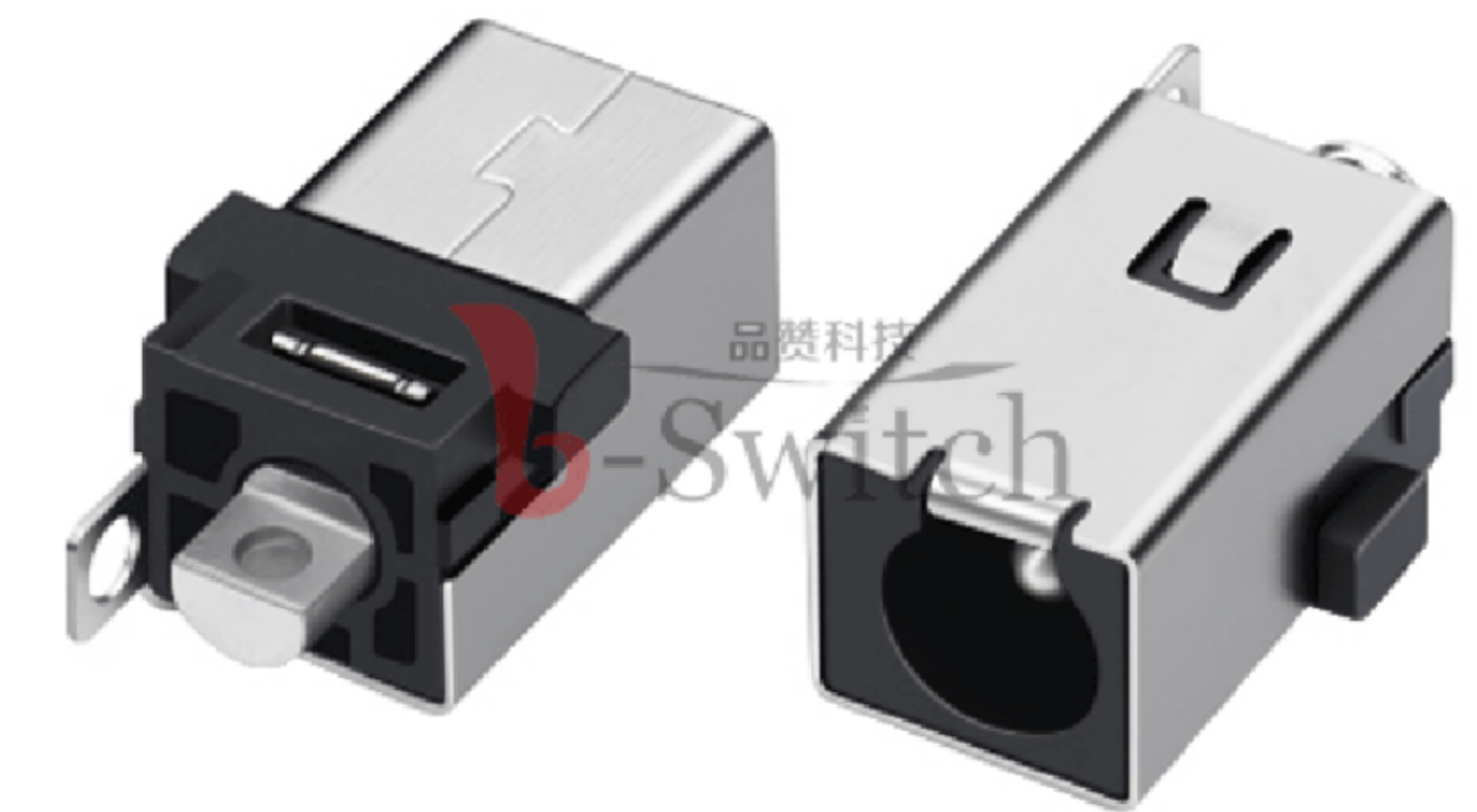
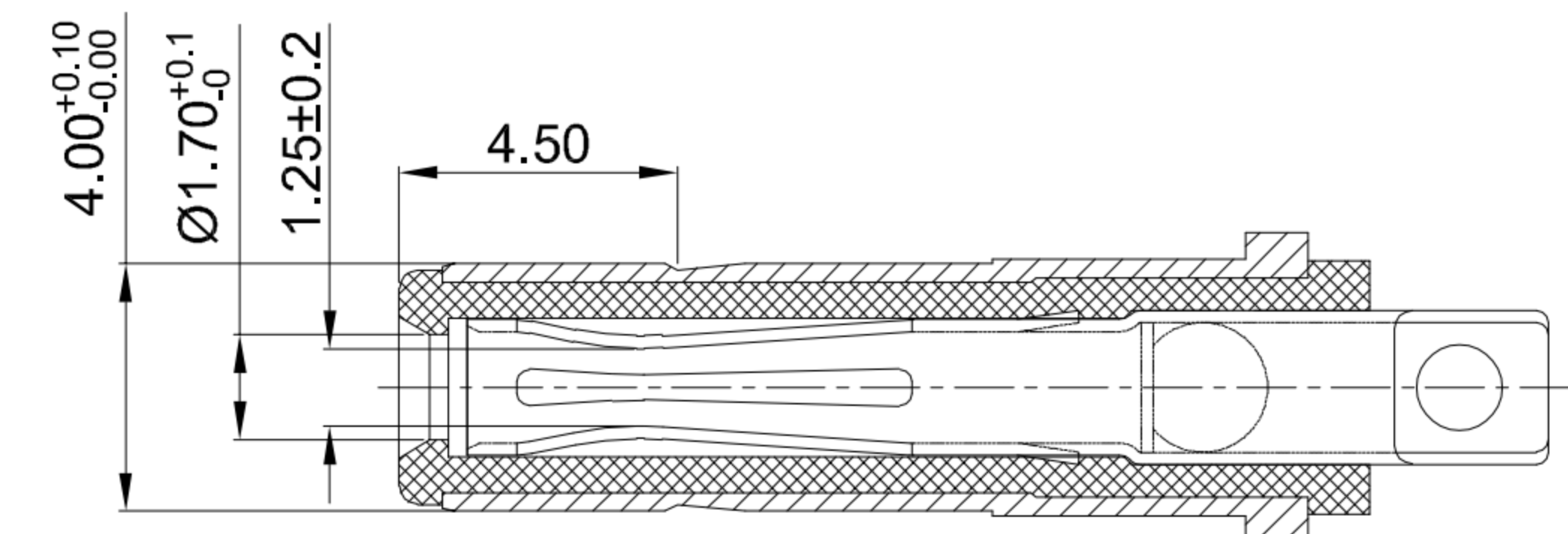


SECTION A-A



CIRCUIT DIAGRAM



MATING PLUG Ø4.0xØ1.7mm

**G-Switch Specification:**

1. Operating temperature range: -40°C ~ +85°C
2. Rated load: 5A.20V DC
3. Insulation resistance: 100MΩ min
4. Withstand voltage: 500V AC/min
5. Contact resistance: 30mΩ max
6. Durability cycle: 10000 Cycles
7. Insertion force: 2.0kgf Max. (Initial)/2.0kgf Max. (Final)
8. Extraction force: 1kgf~3.0kgf (Initial)/0.7kgf~3.0kgf (Final)

A	HOUSING	HIGH TEMPERATURE PLASTIC	PA10T BLACK
B	SHELL	COPPER ALLOY	Ni PLATING
C	CENTER PIN	COPPER ALLOY	Sn/Ni PLATING
D	STOPPER	STAINLESS STEEL	---
NO.	PART NAME	MATERIAL	REMARK



SCALE: 1:1 UNIT: mm  
 SIZE: A4

Title: Horizontal DC Power Jack 4017  
 Solder Type L=11.0 Ø1.65mm

Unless otherwise  
 General tolerance:  
 X ±0.50  
 X.x ±0.30  
 X.xx ±0.20  
 X.xxx ±0.10  
 X.° ±3°

Molde Code: DC-S002A-D0165-5A

DRAWN	CHECKED	APPROVED	DATE
Xia	Chen	Chen	2023.02.01



REV: A0 SHEET: 1/1

## X-ON Electronics

Largest Supplier of Electrical and Electronic Components

*Click to view similar products for [DC Power Connectors](#) category:*

*Click to view products by [G-Switch](#) manufacturer:*

Other Similar products are found below :

[163-0308-EX](#) [163-4012-EX](#) [163-4117-EX](#) [163-MJ22-EX](#) [171-0721-EX](#) [KLDX-SMT-0202-BPTR](#) [163-0179-EX](#) [163-4015-EX](#) [171-0722-E](#)  
[K596](#) [KLD-0201-BC](#) [4C6831AX](#) [LCB60PW-M](#) [LCB30PW-M](#) [LCB60PB-M](#) [LCC30PB-M](#) [LCB50PW-M](#) [LCB50-M](#) [LCB60-F](#) [LCC30-M](#)  
[LCB40PW-M](#) [LCC30PW-M](#) [LCB50-F](#) [LCB40-F](#) [LCB30-F](#) [LCC40-M](#) [LCC40PB-M](#) [LCB40PB-M](#) [LCC40-F](#) [LCB60-M](#) [LCC40PW-M](#)  
[LCB50PB-M](#) [513820200](#) [DC-S014A-D025-20A](#) [DC007B-2.5-J](#) [DC005-2.5](#) [DC005-2.5-T](#) [DC-S019A-D025-10A](#) [DC007B-2.0](#) [DC-018-](#)  
[2.5A-2.5](#) [DC-005-A25](#) [DC-005-A20](#) [DC-002-100](#) [DC-031A-130](#) [DC-031A-100](#) [DC-003A-130](#) [DC-045-130](#) [DC-192-130](#) [DC-033-130](#) [DC-](#)  
[011-100](#)